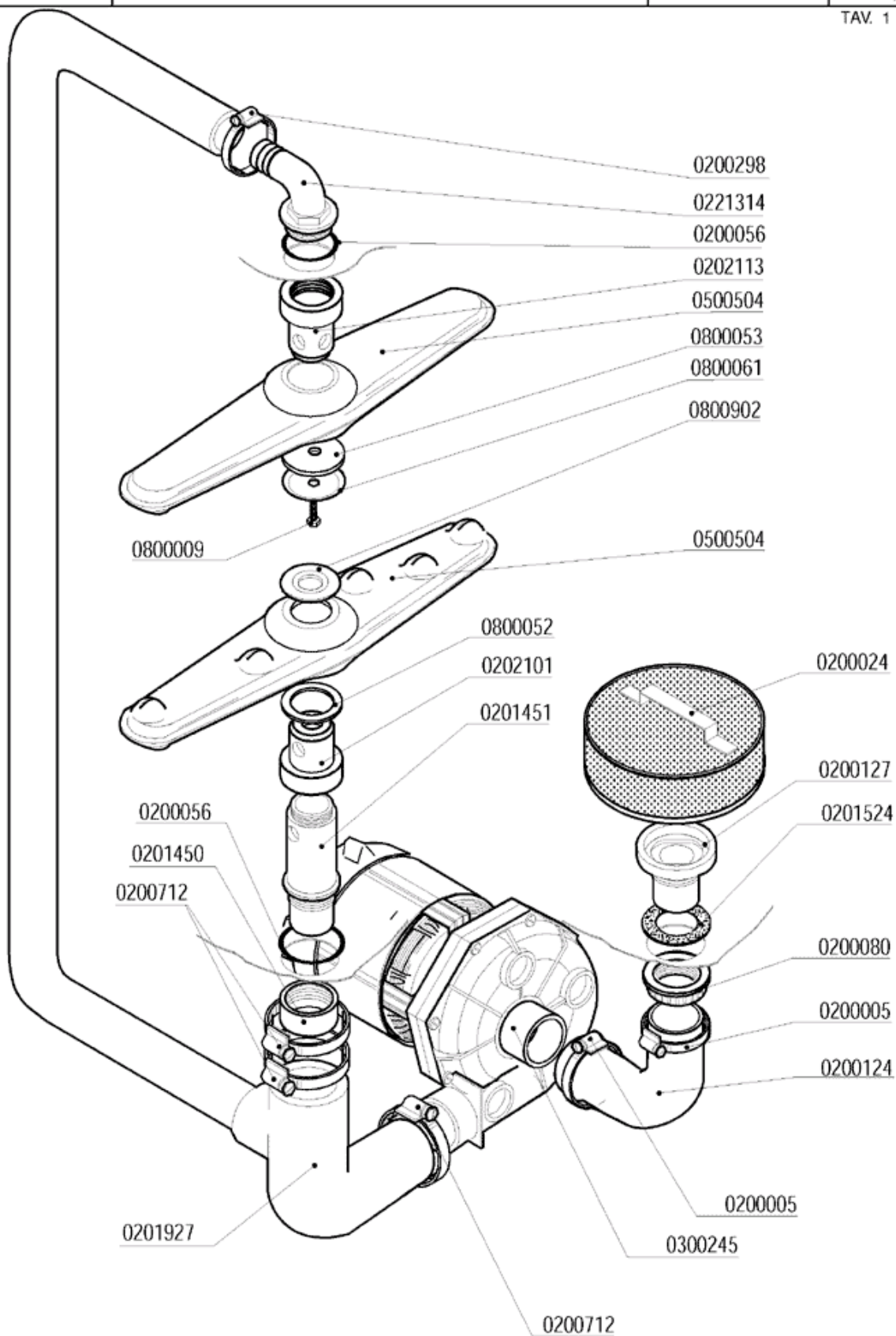


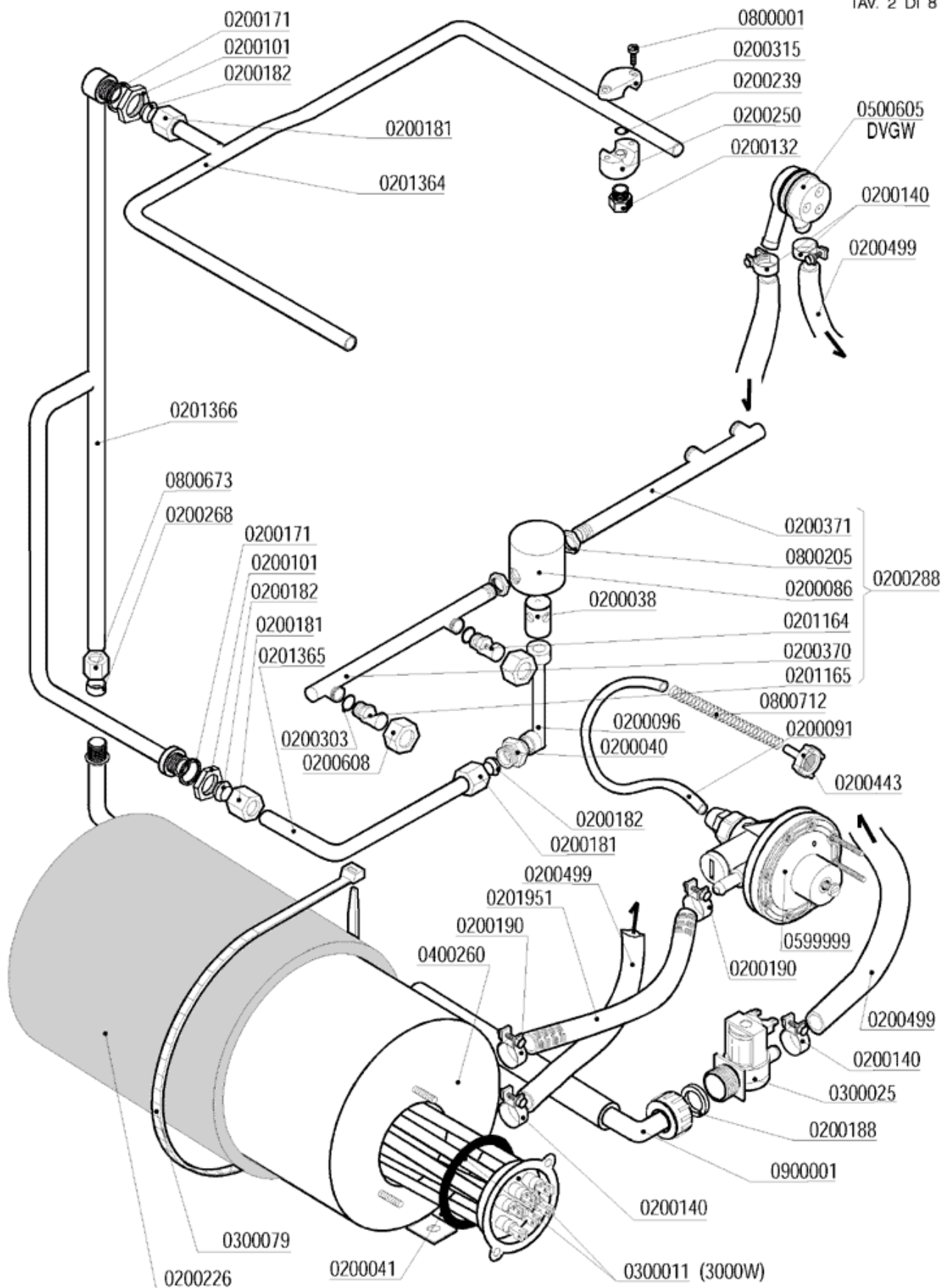
- 1 - WASH COMPONENTS
- 2 - RINSE COMPONENTS
- 3 - TANK COMPONENTS
- 4 - CONTROL BOX
- 5 - DRAIN PUMP PARTS
- 6 - HOOD
- 7 - DISPENSERS
- 8 - WATER-SOFTENER





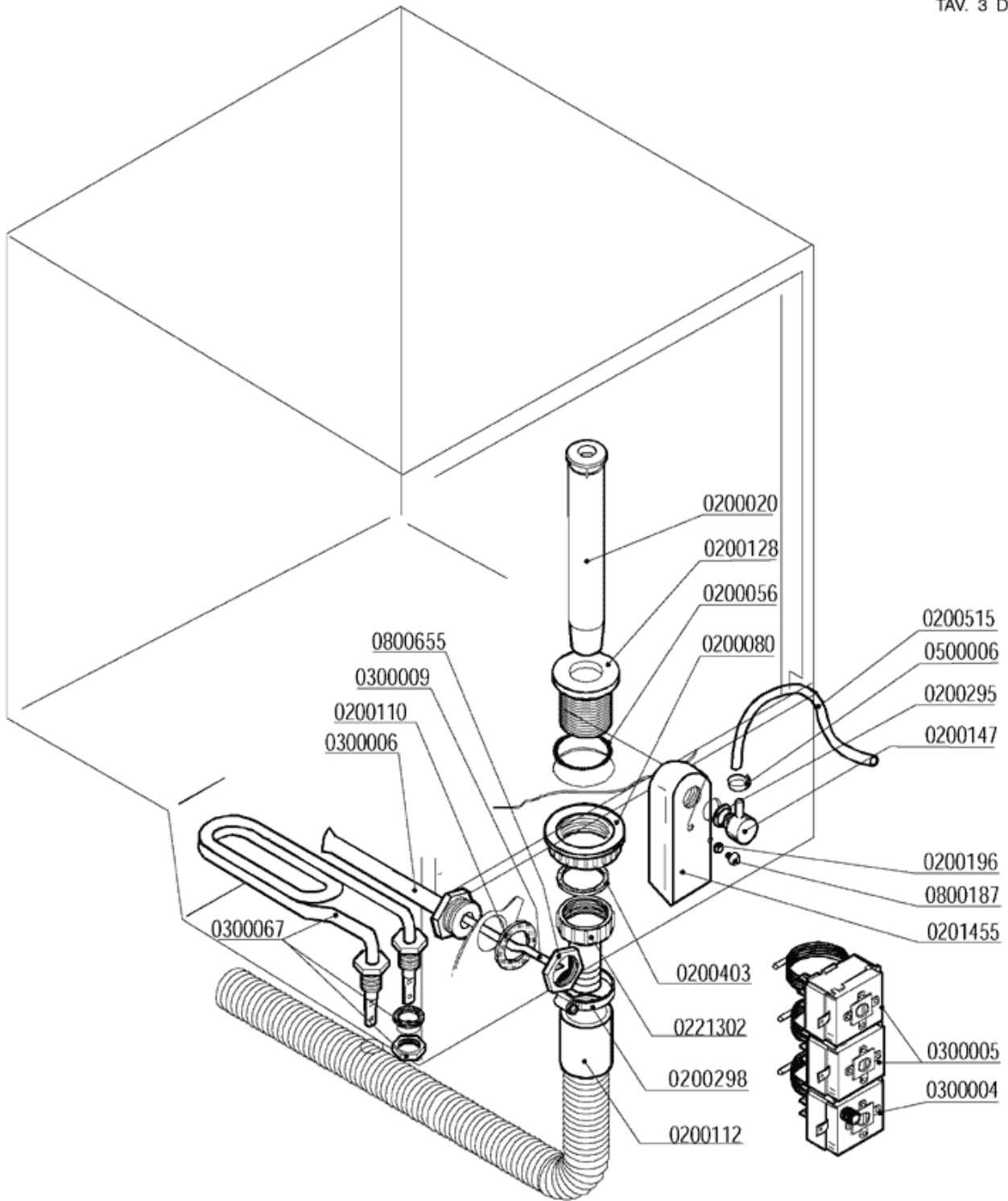
## 1 - WASH COMPONENTS

CODE	DESCRIPTION
0200005	CLAMP 50-70
0200024	FILTER D.165
0200056	OR 144 DRAINS 1"¼
0200080	RING NUT 1"¼ 2190 PA
0200124	SUCTION SLEEVE F85 1141-91
0200127	FILTER FLANGE 033 REF.6
0200298	CLAMP 25-40
0200712	RUGGED CLAMP 52-76/12.7
0201450	DELIVERY PUMP SLEEVE 045 0200118 6543
0201451	WASH COLUMN 1"¼ D.15.5
0201524	RUBBER JOINT 68X41X2 6310
0201927	THREE-WAY WASHING MANIFOLD DSP4 5970
0202101	WASH ARM BOSS D.18 2H NSF
0202113	WASH ARM BOSS M8 4H NSF
0221314	ELBOW RUBBER PIPE FITTING 1"¼X30 M
0300245	WASH PUMP HP 0,5 V230/50 3983.1411 SX
0500504	WASH ARM 5F 380 045F-LS NSF 6503
0800009	S.S.SCREW TEM8X15
0800052	TEFLON WASHER 57X42X2
0800053	NYLON WASHER 50X8X2 REF.149
0800061	S.S.WASH ARM WASHER 259-83-A D.8
0800902	S.S.WASH ARM WASHER L25 2987 D.18



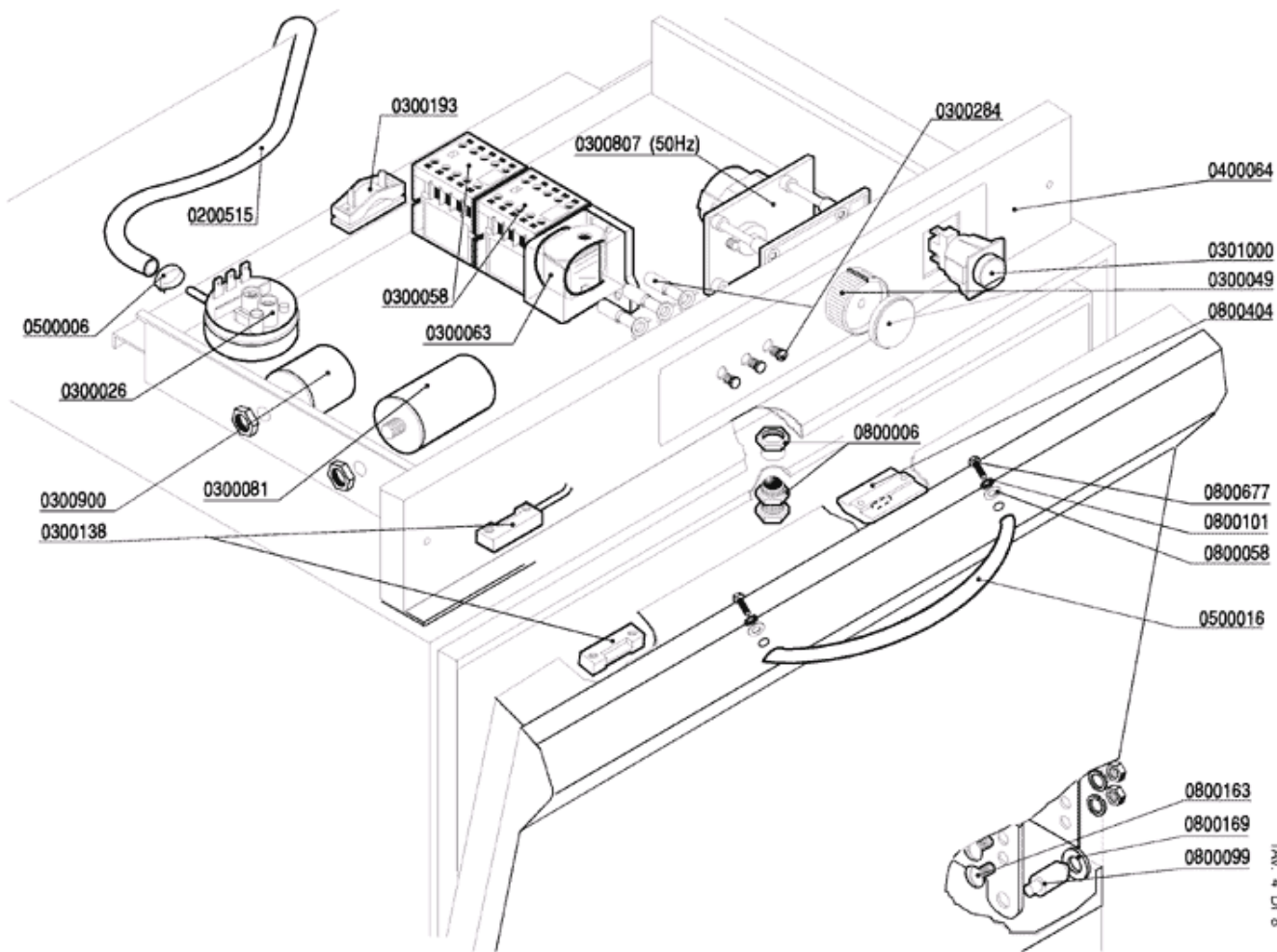
## 2 - RINSE COMPONENTS

CODE	DESCRIPTION
0200038	S.S. PIVOT FOR LOWER RINSE ARM 1205
0200040	S.S. RINSE NIPPLE 3/8"-1/4"
0200041	OR 6225 RINSETANK ELEMENT
0200086	RINSE ARM BOSS 1206
0200091	CRYSTAL HOSE PP 4X6
0200096	RINSE ARM MANIFOLD 793
0200101	S.S. NUT 3/8" GAS 55-83
0200132	BRASS NOZZLE 1/8"G 1,1 L/M 120° REF.34
0200140	CLAMP 17X19
0200171	FLAT JOINT 27X17X2 OMNIA-BLU
0200181	S.S. BICONIC NUT 3/8"X12 1040-91
0200182	BRASS BICONIC 3/8"X12 1311-92
0200188	RUBBER SEAL 25X16X2
0200190	CLAMP 13X15
0200226	RINSETANK INSULATION
0200239	OR 2031 RINSE NOZZLE SUPPORT
0200250	RINSE NOZZLE SUPPORT 1/8"G
0200268	BICONIC NUT TEFLON 3/8X12
0200288	RINSE ARM 045
0200303	OR 2021 RINSE NOZZLES
0200315	RINSING NOZZLE BOLT
0200370	RH RINSE ARM 200MM 45
0200371	LH RINSE ARM 200MM 45
0200443	RINSE AID PUMP BOTTOM FILTER
0200499	RUBBER HOSE 12X19,5 FOOD QUALITY
0200608	RINSE NOZZLE FIXING RING NUT OT/NI 2611
0201164	RINSE NOZZLE HOLE 1,2 D.2612 NSF
0201165	RINSE NOZZLE HOLE 1,5 D.2609 NSF
0201951	S.S./SILICONE DOS.PUMP/BOILER HOSE L21
0300011	ELEMENT WITH S.S. FLANGE
0300025	SIMPLE SOLENOID VALVE
0300079	CLAMP FOR RINSETANK INSULATION
0400260	RINSETANK 4LT R.E.
0500605	VACUUM BREAKER VALVE DVGW GD
0599999	RINSE AID PUMP TYPE 3000
0800001	S.S. SELF-THREADING SCREW 3,9X15
0800205	S.S.NUT M12X1 724 E16S5
0800673	BRASS BICONIC NUT
0800712	S.S.SPRING 160MM RINSE AID PUMP HOSE
0900001	RUBBER LOAD HOSE 90°C VDE



### 3 - TANK COMPONENTS

CODE	DESCRIPTION
0200020	OVERFLOW 28X105
0200056	OR 144 DRAINS 1"¼
0200080	RING NUT 1"¼ 2190 PA
0200110	FLAT JOINT 31X21X2
0200112	DRAIN HOSE D.28 C/317
0200128	DRAIN REF.26
0200147	RUBBER PIPE FITTING M12X4 90° 1821-94
0200196	NYLTITE JOINT M3
0200295	NYLTITE JOINT M12
0200298	CLAMP 25-40
0200403	FLAT JOINT 38X27X2 3794
0200515	LEVEL SWITCH HOSE 4,2X10,4
0201455	FRONT AIR TRAP L=85MM
0221302	STRAIGHT DRAIN UNION 1"¼X32 PA
0300004	SAFETY THERMOSTAT 1NC/LS1
0300005	THERMOSTAT 90°C 1NONC BOILER IMIT
0300006	S.S.THERMOSTAT SHEATH
0300009	CLUTCH SPRING REF.134
0300067	TANK ELEMENT 2000W
0500006	CLAMP CLIC 11,5-13,5
0800187	S.S. SCREW ATFTCTCR 3,9X9,5
0800655	NICKEL-PLATED BRASS NUT ½"

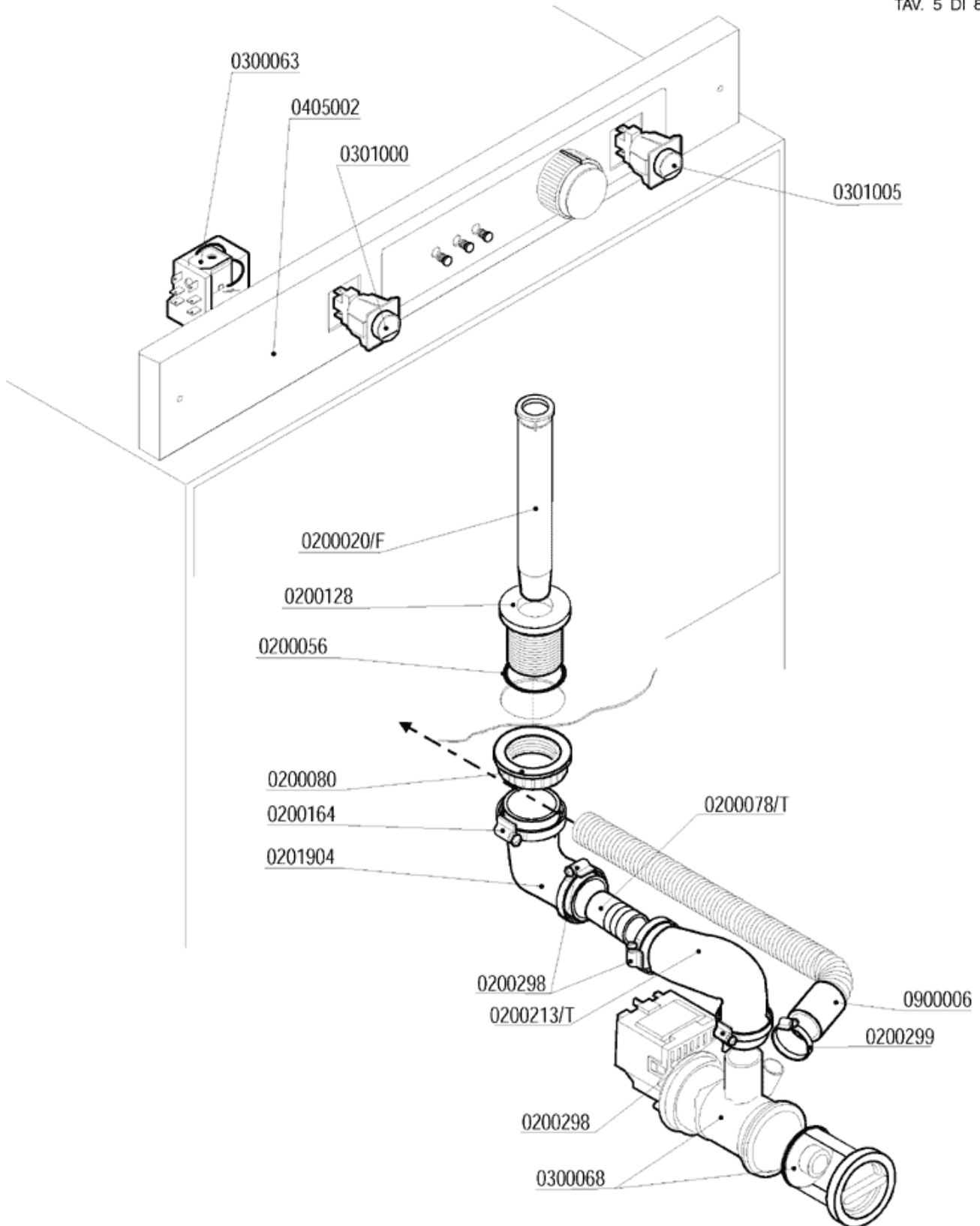


	QUADRO ELETTRICO - TABLEAU ELECTRIQUE CONTROL BOX - ELEKTRO SCHALTAFEL	
	M.O.	<b>045F</b>
	TAV.	<b>4 F</b>
ED. 11/2002 TAV. 4 DI 8		



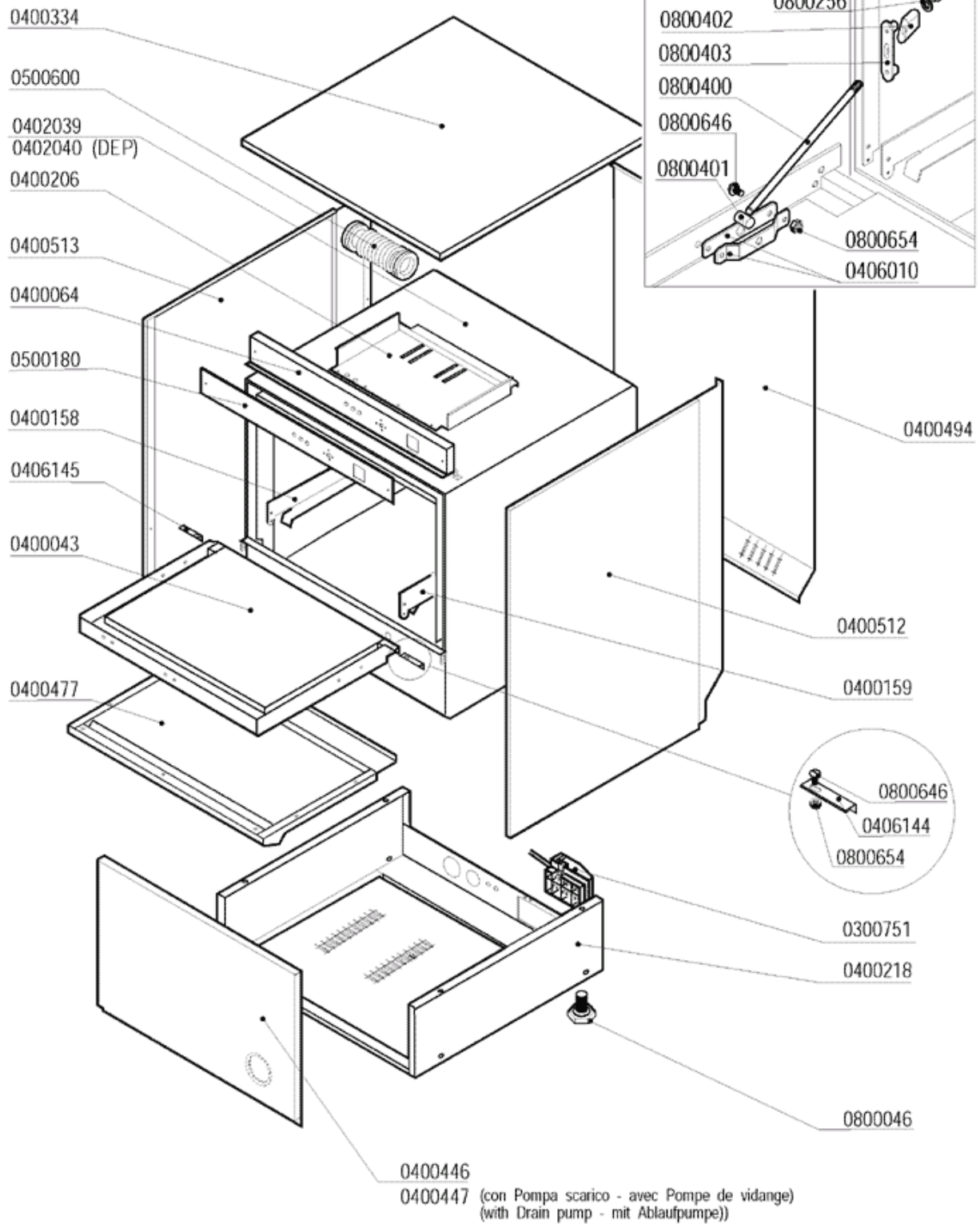
#### 4 - CONTROL BOX

CODE	DESCRIPTION
0200515	LEVEL SWITCH HOSE 4,2X10,4
0300026	LEVEL SWITCH 60/30 16A 1NONC
0300049	TIMER KNOB
0300058	CONTACTOR 16A 4NO LC1-K0610M7
0300063	*****REPLACED BY 0301745*****
0300081	CAPACITOR 12,5 MF
0300138	MAGNETIC SWITCH A81 1NO
0300193	CABLE FIXER PA 268 + SCREW 3,5X25
0300284	GREEN LED D.6
0300807	TIMER WITH PUSHBUTTON
0300900	ANTIJAMMING FILTER 411135001
0301000	GREEN ON/OFF SWITCH 16A 2NO 30X30
0400064	CONTROL PANEL FOR INSULATED 045F
0500006	CLAMP CLIC 11,5-13,5
0500016	STAINLESS STEEL HANDLE 192MM
0800006	LOCKING DOOR WITH NUTS 225-83
0800058	S.S.FLAT WASHER 4X12
0800099	DOOR PIN 1866-94
0800101	S.S. NOTCHED WASHER
0800163	S.S.POELIER SCREW M6X10
0800169	DOOR PIVOT BUSH
0800404	DOOR LOCK SEAT
0800677	S.S. SCREW TEM4X10



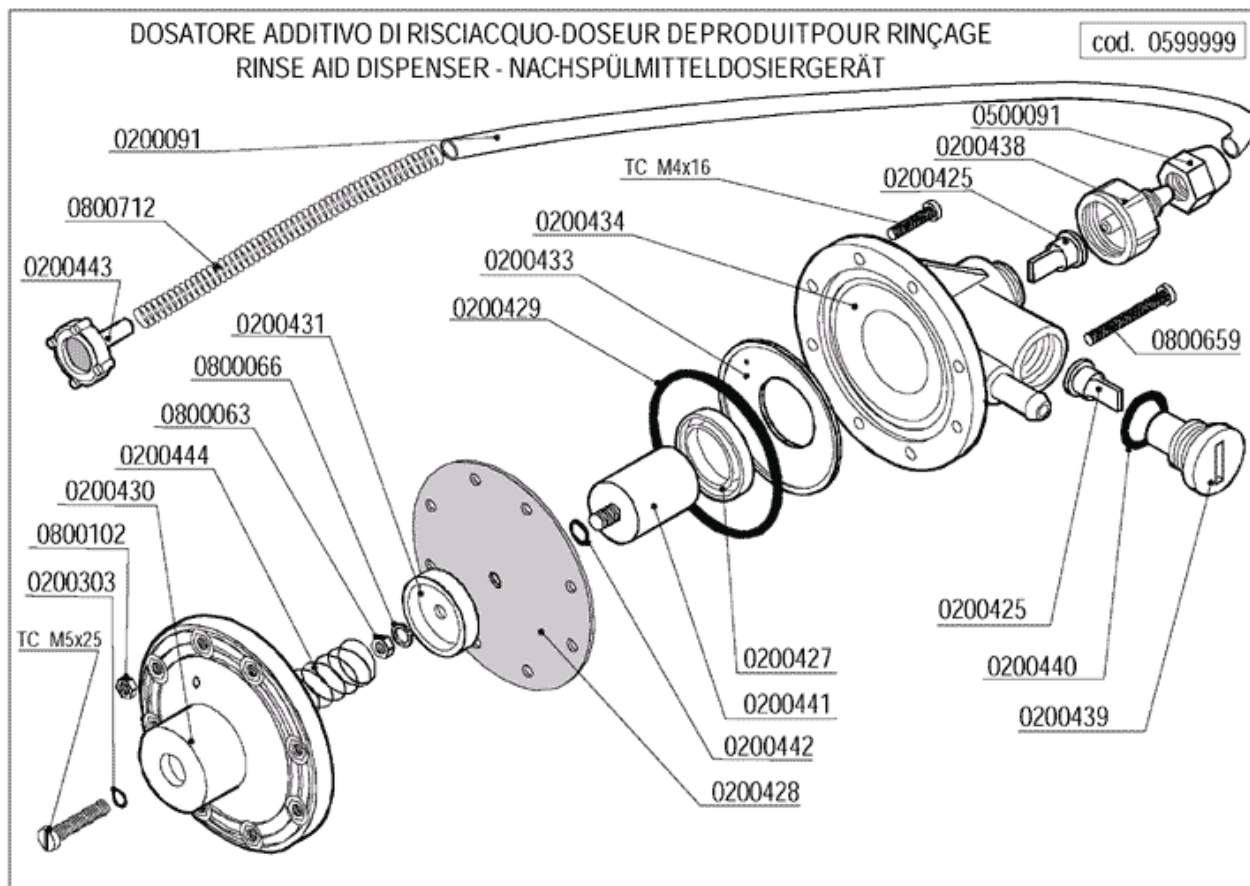
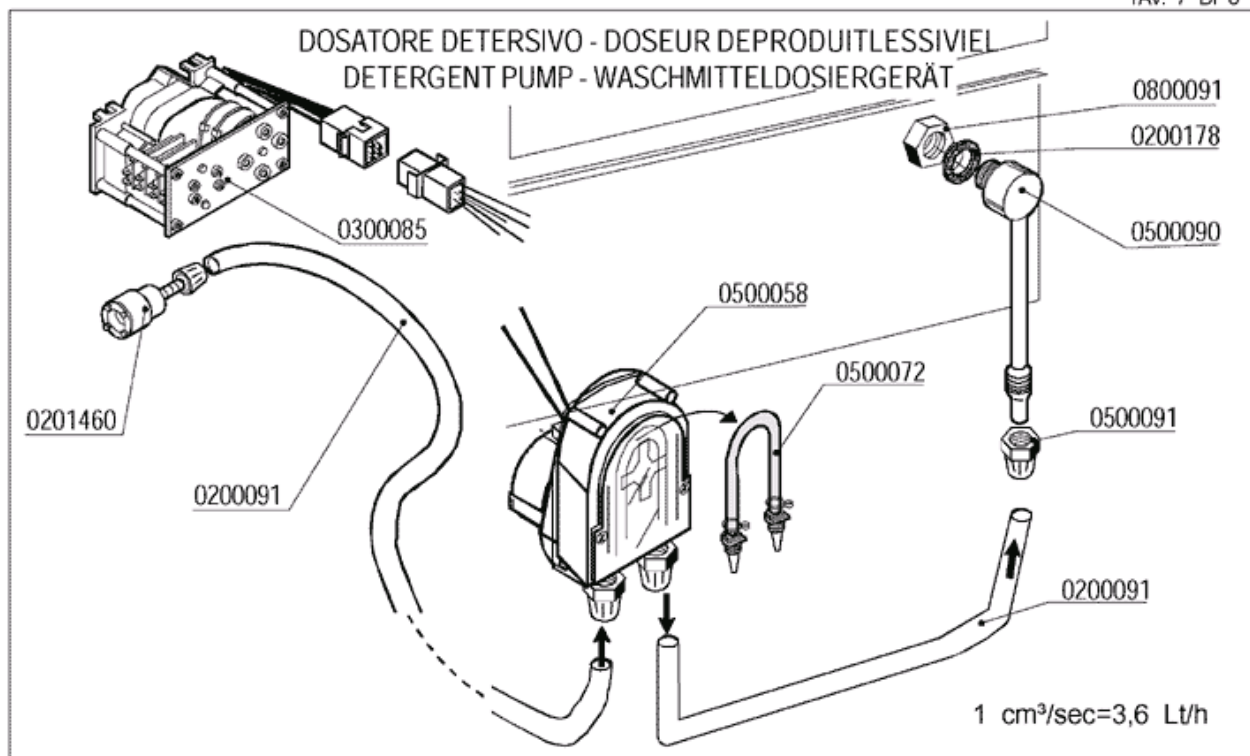
## 5 - DRAIN PUMP PARTS

CODE	DESCRIPTION
0200056	OR 144 DRAINS 1"¼
0200080	RING NUT 1"¼ 2190 PA
0200128	DRAIN REF.26
0200164	CLAMP 32-50
0200298	CLAMP 25-40
0200299	CLAMP 20-32
0201904	SLEEVE LB 38X70+29X120 686-88
0300063	*****REPLACED BY 0301745*****
0300068	DRAIN PUMP 30W 290886 ASK/CEMA
0301000	GREEN ON/OFF SWITCH 16A 2NO 30X30
0301005	GREEN SWITCH 2NONC DRAIN PUMP
0900006	DRAIN PUMP OUTLET HOSE D.19.5



## 6 - HOOD

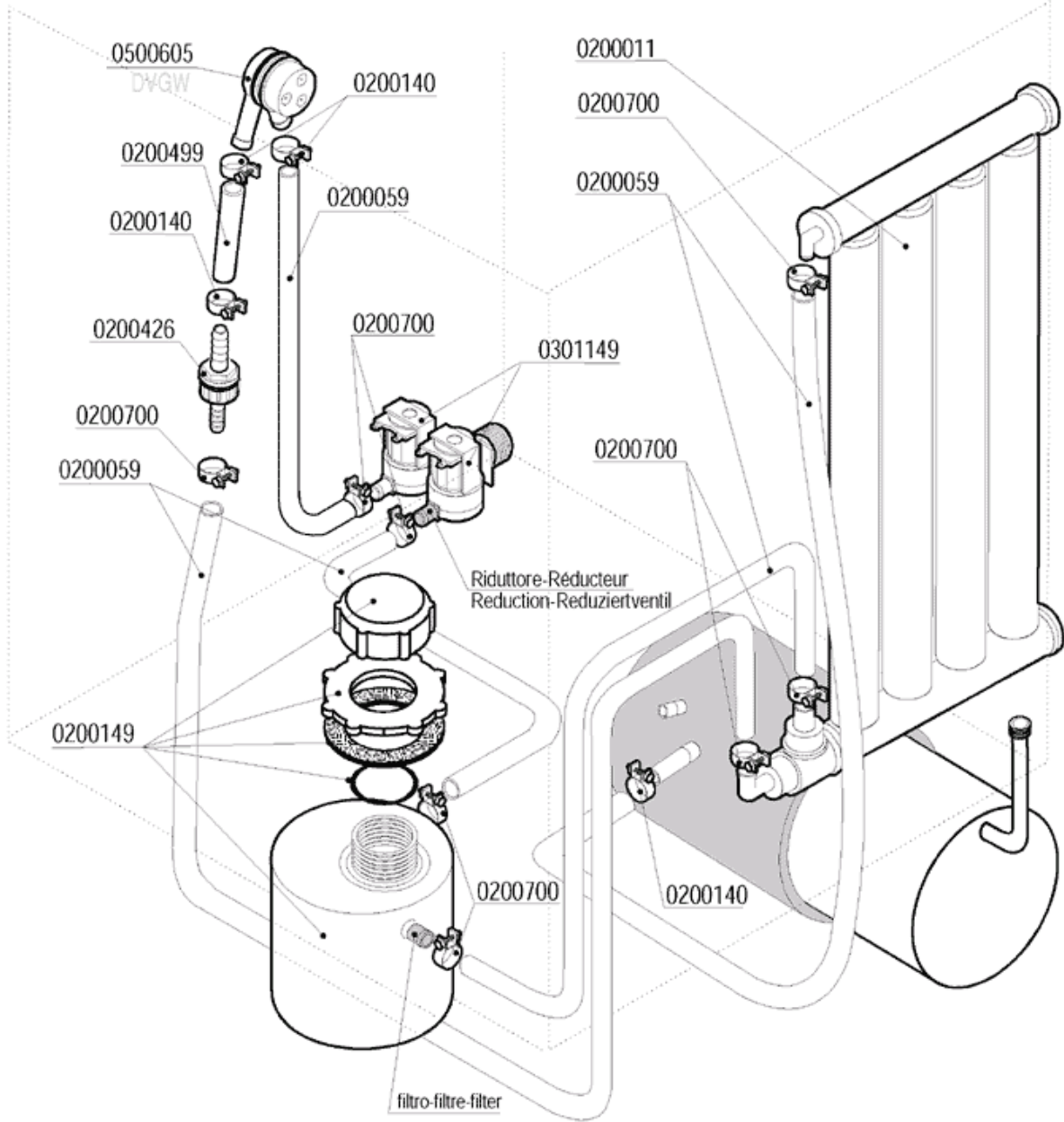
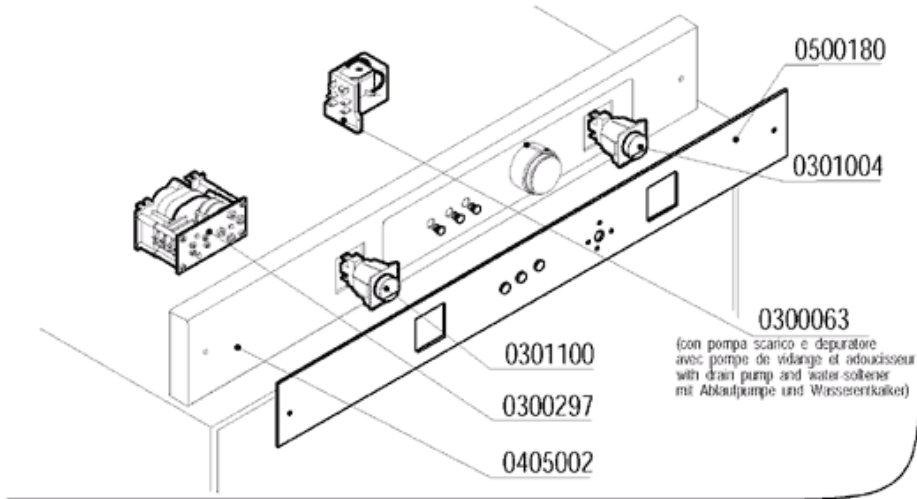
CODE	DESCRIPTION
0300751	EXTERNAL WIRING CLAMP PA223 6 POLES
0400043	DOOR 045F/S510
0400064	CONTROL PANEL FOR INSULATED 045F
0400158	LEFT GUIDE 045F/S510
0400159	RIGHT GUIDE 045F/S510
0400206	LOOM PLATE EFFE 2198
0400218	BASE 045
0400334	TOP PANEL S510/045F
0400446	FRONT INSULATING PANEL 045F 2696
0400447	FRONT PANEL 045F DRAIN POMP
0400477	FRONT BOTTOM DOOR PANEL 045F-S510
0400494	BACK PANEL FOR 045F INSULATED 2695
0400512	RIGHT-HAND SIDE PANEL 045F
0400513	LEFT-HAND SIDE PANEL 045
0406010	DOOR TIE ROD LOCK F/LB 2500-2501/95
0500180	PLATE PCB 045 LAMBER
0500600	STEAM BREATHER SLEEVE
0800046	FOOT M10
0800256	S.S.FLAT WASHER D.5MM
0800400	DOOR TIE ROD M5X305 795
0800401	TIE ROD ARTICULATION
0800402	DOOR TIE ROD STOPPER
0800403	DOOR SLIDE PLATE
0800646	M4X10 POELIER SCREW
0800653	S.S. SELFLOCKING NUT M5
0800654	M4 STAINLESS STEEL SELFLOCKING NUT





## 7 - DISPENSERS

CODE	DESCRIPTION
0200091	CRYSTAL HOSE PP 4X6
0200178	FLAT JOINT 19X12X2 REF.121
0200303	OR 2021 RINSE NOZZLES
0200425	RINSE AID PUMP VALVE COM3000
0200427	MIN RING VITON RINSE AID PUMP 3000
0200428	RINSE AID PUMP MEMBRANE MOD.3000
0200429	OR 3218 RINSE AID PUMP MOD.3000
0200431	GUIDE WASHER RINSE AID SPRING 3000
0200433	RINSE AID PUMP INTERNAL GASKET
0200434	RINSE AID PUMP BODY MOD.3000
0200438	RINSE AID PUMP SUCTION UNION
0200439	VALVE BEARING PLUG FOR RINSE AID PUMP
0200440	OR JOINT FOR RINSE AID PUMP
0200441	COMPLETE RAM KIT RINSE AID PUMP 3000
0200442	OR 2025 RINSE AID PUMP 3000
0200443	RINSE AID PUMP BOTTOM FILTER
0201460	S.S.DETERGENT PUMP FILTER
0300085	TIMER 60" DETERGENT PUMP 1CF1CR
0500058	***REPLACED BY 0500060***
0500072	SANTOPRENE PERISTALTIC HOSE NEW MODEL
0500090	S.S.DETERGENT INJECTOR
0500091	DETERGENT INJECTOR BRASS NUT 2102
0599999	RINSE AID PUMP TYPE 3000
0800063	S.S.NUT M6
0800066	S.S. GROWER WASHER
0800091	S.S. NUT M12
0800102	STAINLESS STEEL NUT M4
0800659	S.S.SCREW TCTCR M4X40
0800712	S.S.SPRING 160MM RINSE AID PUMP HOSE





## 8 - WATER-SOFTENER

CODE	DESCRIPTION
0200011	WATER-SOFTENER COLUMN
0200059	RUBBER HOSE 10X17 FOOD QUALITY
0200140	CLAMP 17X19
0200149	SALT JAR FOR WATER-SOFTENER
0200426	CHECK VALVE DEP GRC WZ-165-004
0200499	RUBBER HOSE 12X19,5 FOOD QUALITY
0200700	COLLAR CLAMP 16X18
0300063	*****REPLACED BY 0301745*****
0300297	REGENERATION TIMER
0301004	ON/OFF SWITCH 16A 1NO1NONC
0301100	GREY PUSH BUTTON 16A 1NO 30X30
0301149	DOUBLE CLEANER SOLENOID VALVE/RULER
0500180	PLATE PCB 045 LAMBER
0500605	VACUUM BREAKER VALVE DVGW GD