

*Spare parts - Gram Plus*  
*K-M-F 600/660 ..H*

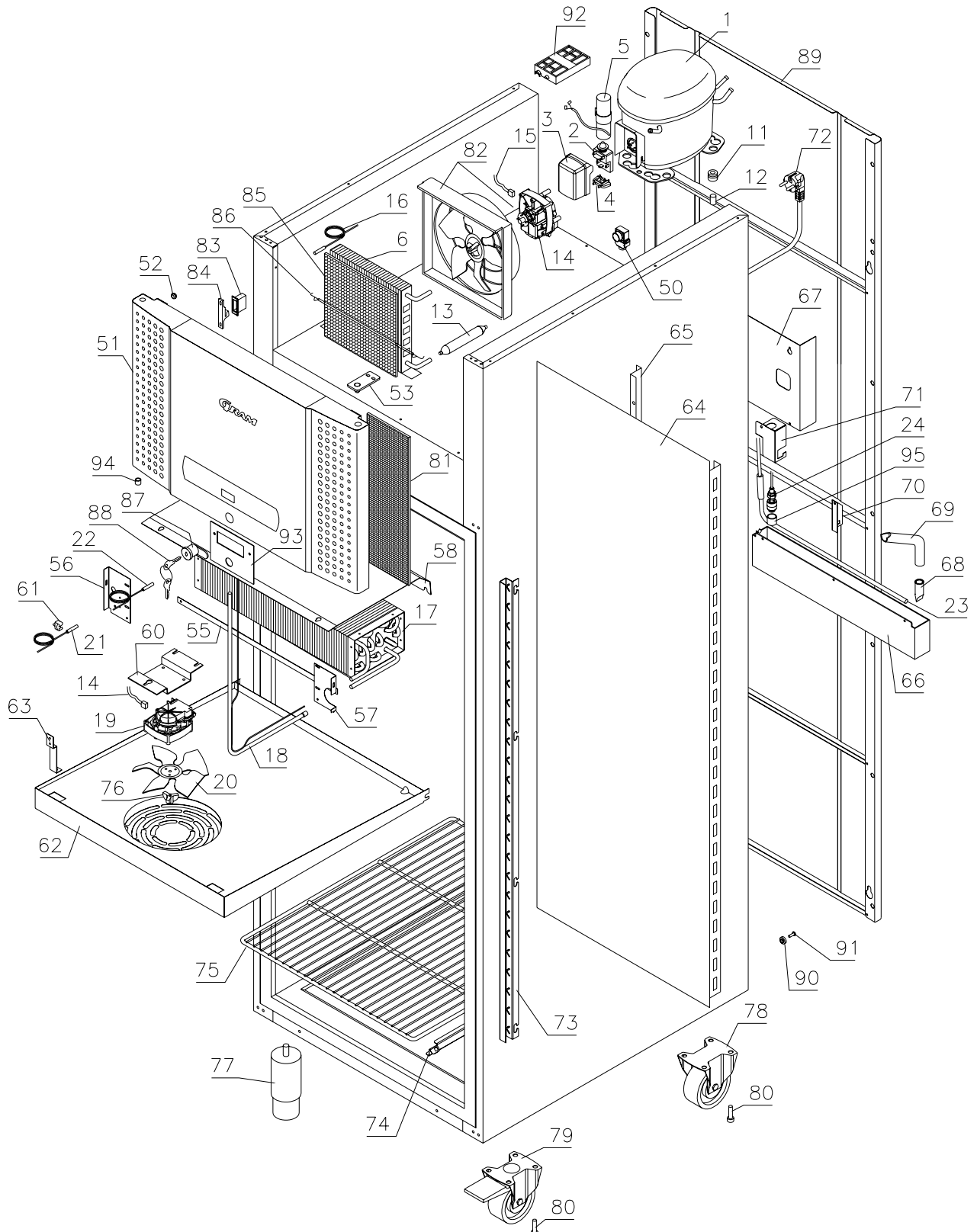


Description :

**Spare parts list for GRAM PLUS  
K/M/F 600/660 ..H**

Compiled.		Latest revision.			Discontinued	
Date	Name	Date	Name	Rev.no	Date	Name
09.01.02	JP	09.07.07	JP	16		

**K 600/660**

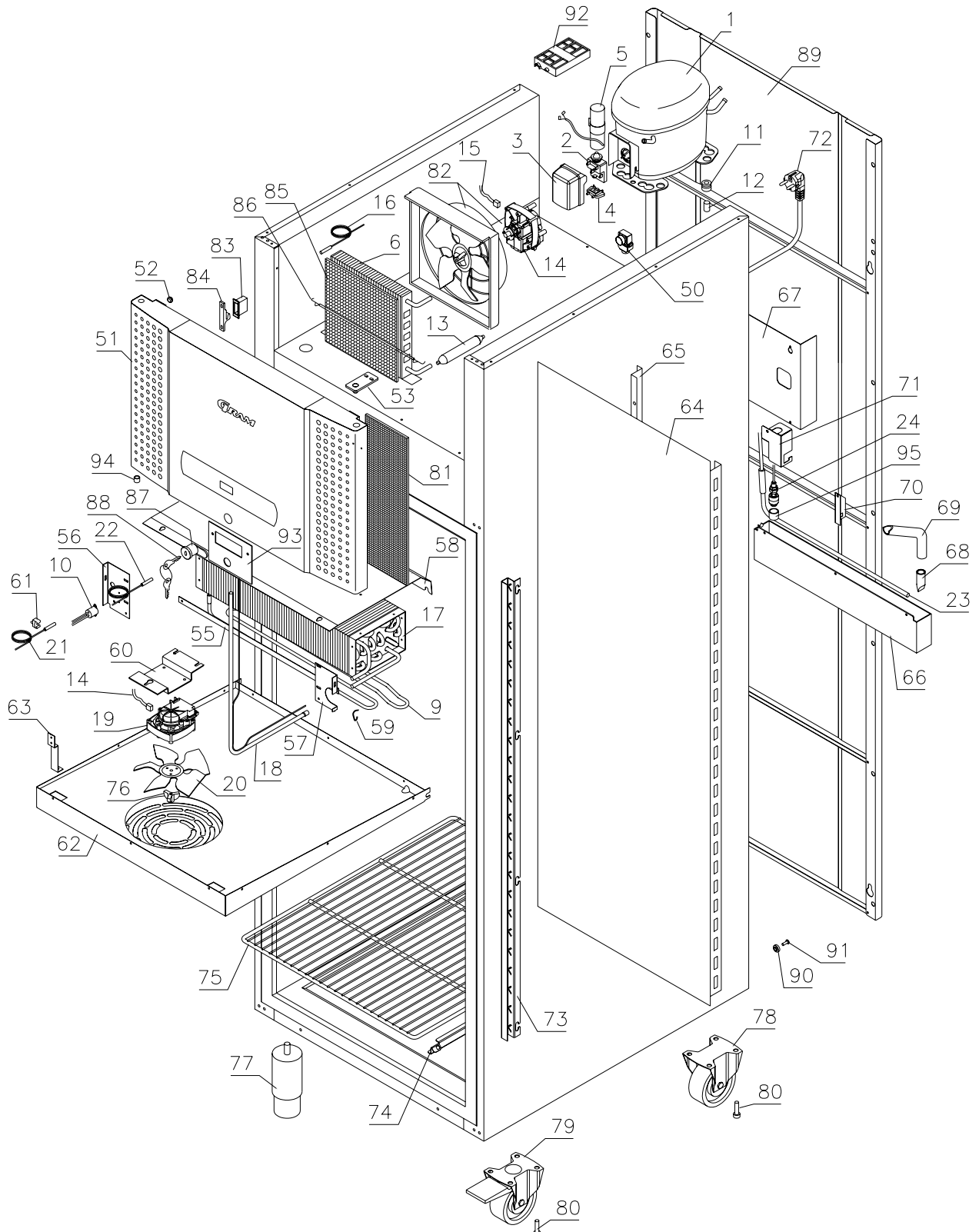


Description :

**Spare parts list for GRAM PLUS  
K/M/F 600/660 ..H**

Compiled.		Latest revision.			Discontinued	
Date	Name	Date	Name	Rev.no	Date	Name
09.01.02	JP	09.07.07	JP	16		

**M 600/660**

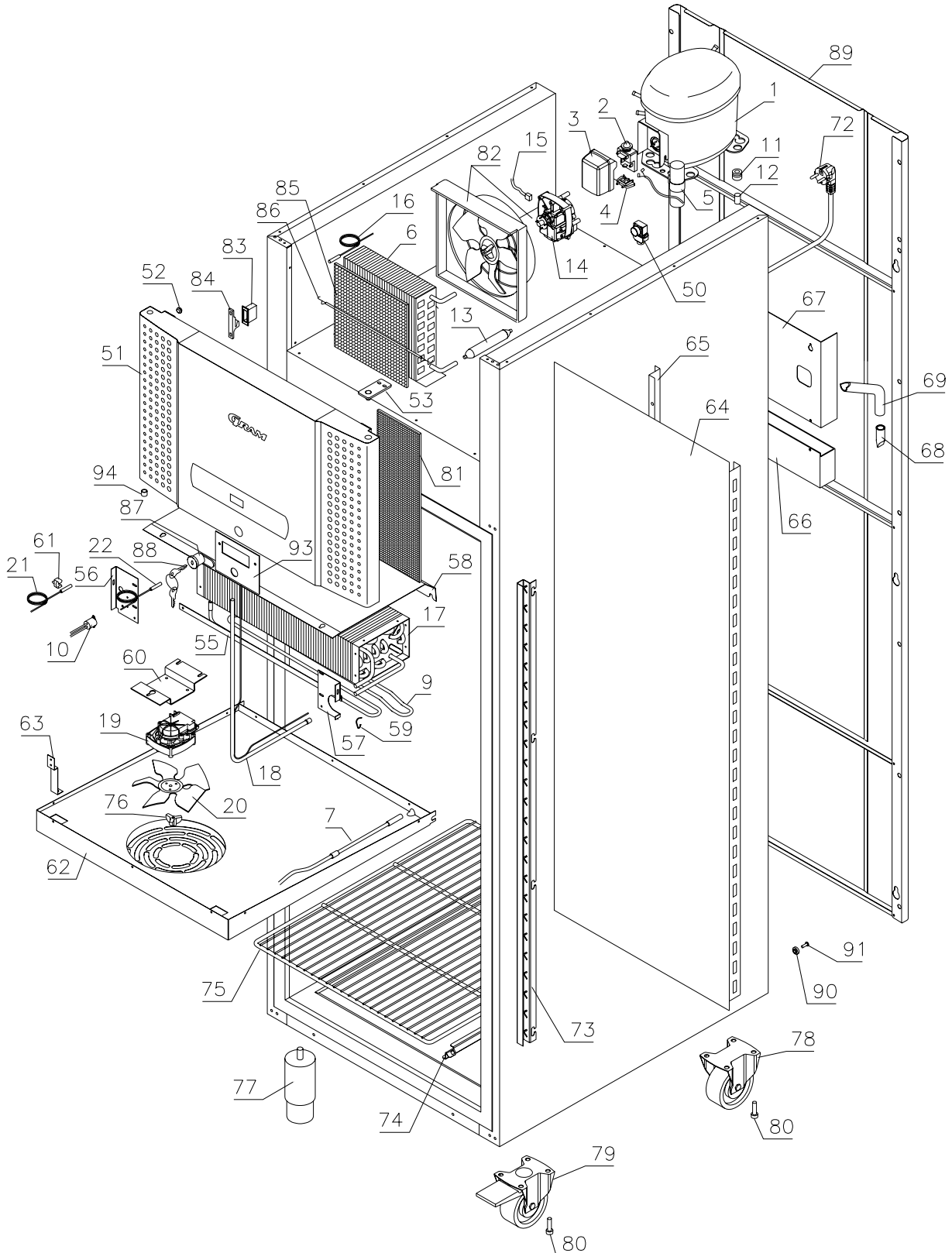


Description :

**Spare parts list for GRAM PLUS  
K/M/F 600/660 ..H**

Compiled.		Latest revision.			Discontinued	
Date	Name	Date	Name	Rev.no	Date	Name
09.01.02	JP	09.07.07	JP	16		

**F 600/660**



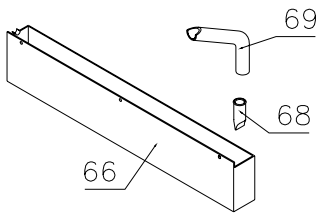
Description :

**Spare parts list for GRAM PLUS  
K/M/F 600/660 ..H**

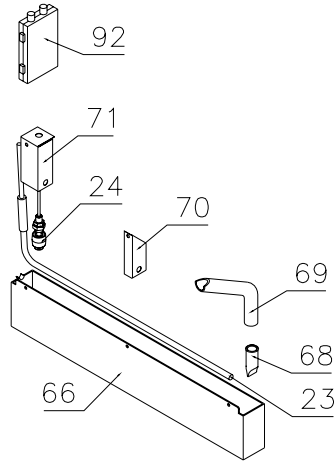
Compiled.		Latest revision.			Discontinued	
Date	Name	Date	Name	Rev.no	Date	Name
09.01.02	JP	09.07.07	JP	16		

**Re-evaporation tray (K/M)**

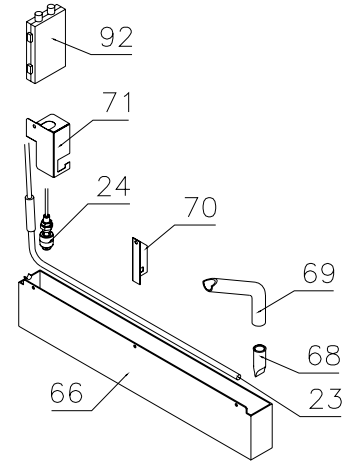
072 - 452



452 - 075

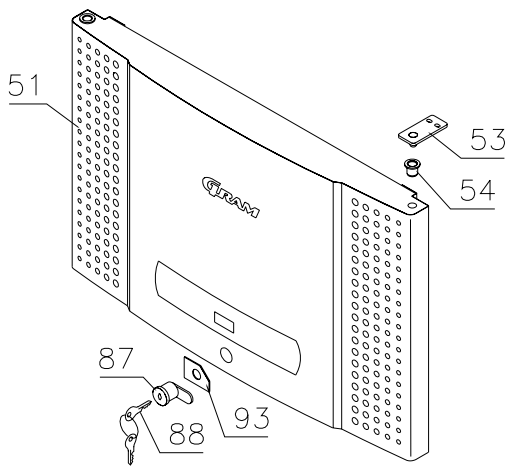


075 -

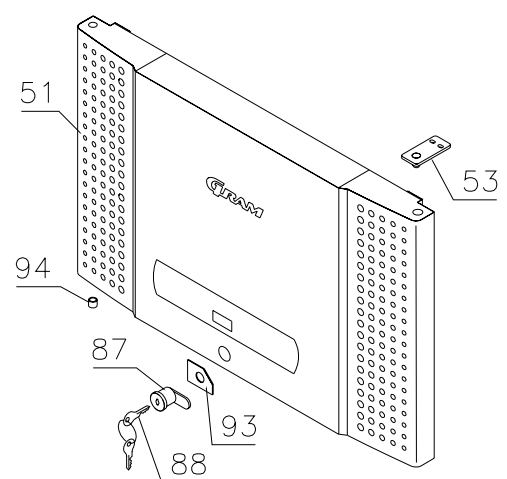


**Front panel**

072 - 472



472 -



**Description :**

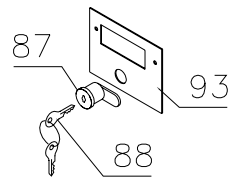
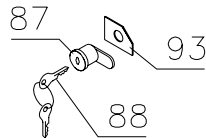
**Spare parts list for GRAM PLUS  
 K/M/F 600/660 ..H**

Compiled.		Latest revision.			Discontinued	
Date	Name	Date	Name	Rev.no	Date	Name
09.01.02	JP	09.07.07	JP	16		

**Door lock**

072 - 033

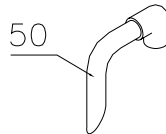
033 -



**Air relief valve**

072 - 353

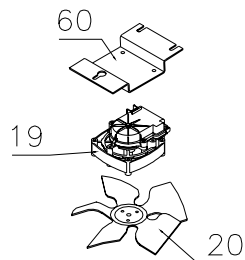
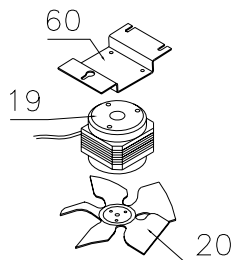
353 -



**F 600/660 – evaporator fan**

072 – 365

365 –



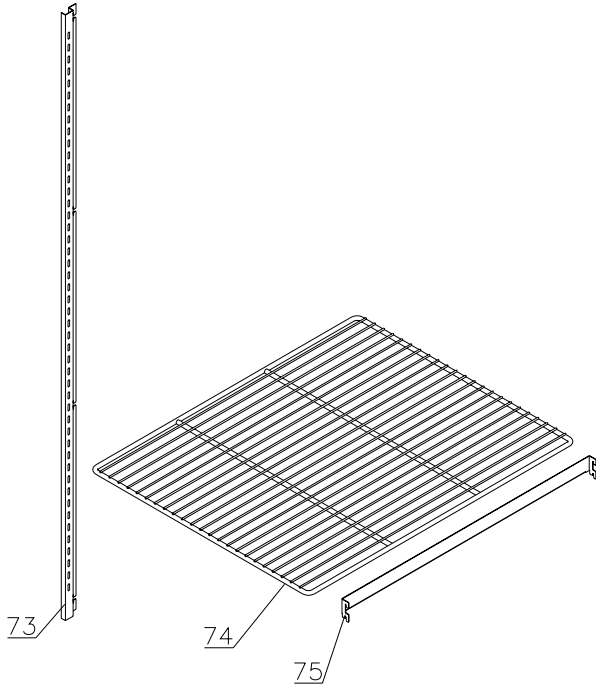
Description :

**Spare parts list for GRAM PLUS  
 K/M/F 600/660 ..H**

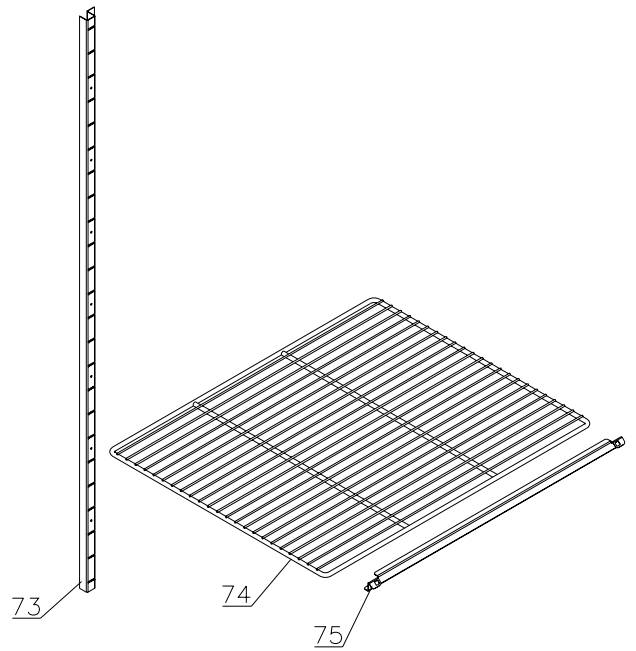
Compiled.		Latest revision.			Discontinued	
Date	Name	Date	Name	Rev.no	Date	Name
09.01.02	JP	09.07.07	JP	16		

**Wall rail / support rail / shelf**

072 - 207



207 -



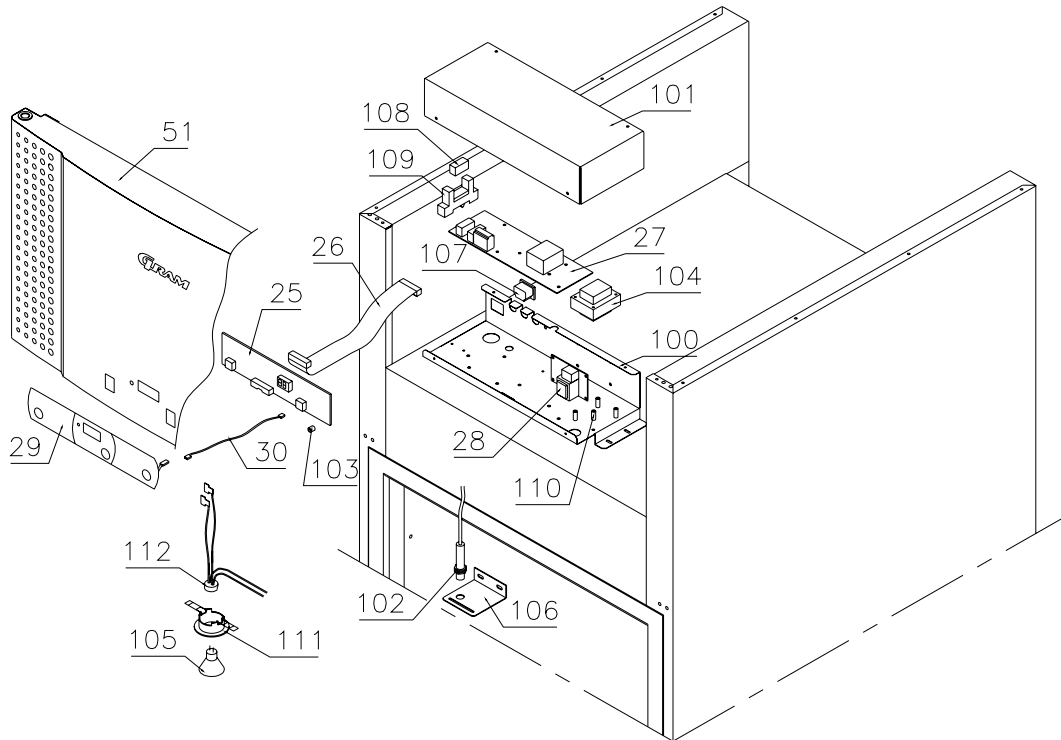
Description :

**Spare parts list for GRAM PLUS  
 K/M/F 600/660 ..H**

Compiled.		Latest revision.			Discontinued	
Date	Name	Date	Name	Rev.no	Date	Name
09.01.02	JP	09.07.07	JP	16		

**Control panel/electric parts**

From 072 to 372:



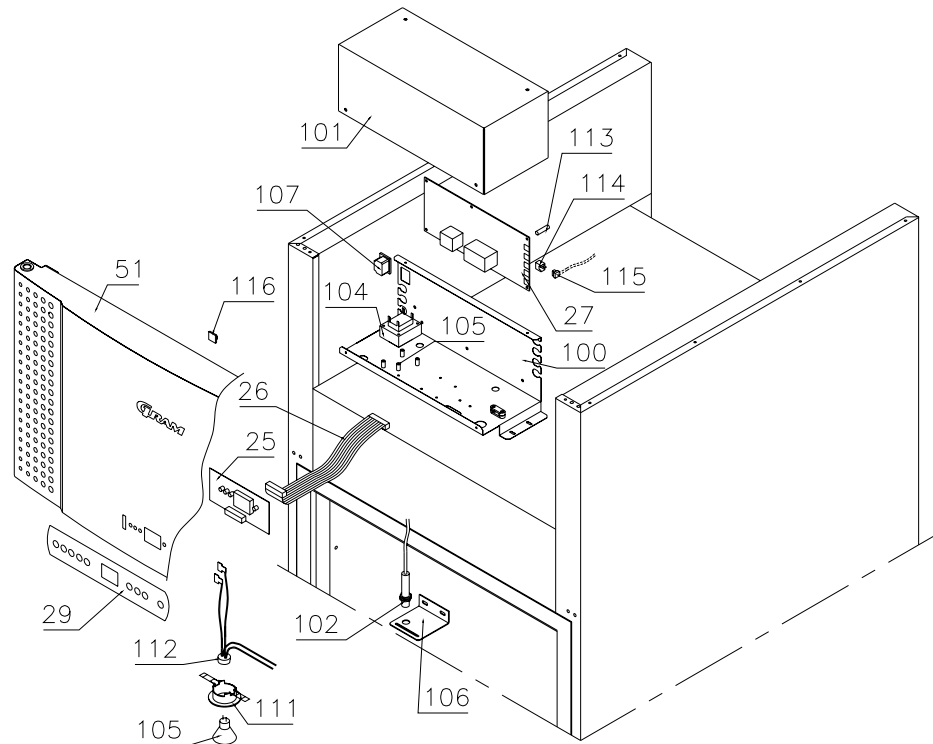
From 372:



**Description :**

**Spare parts list for GRAM PLUS  
 K/M/F 600/660 ..H**

Compiled.		Latest revision.			Discontinued	
Date	Name	Date	Name	Rev.no	Date	Name
09.01.02	JP	09.07.07	JP	16		



Description :

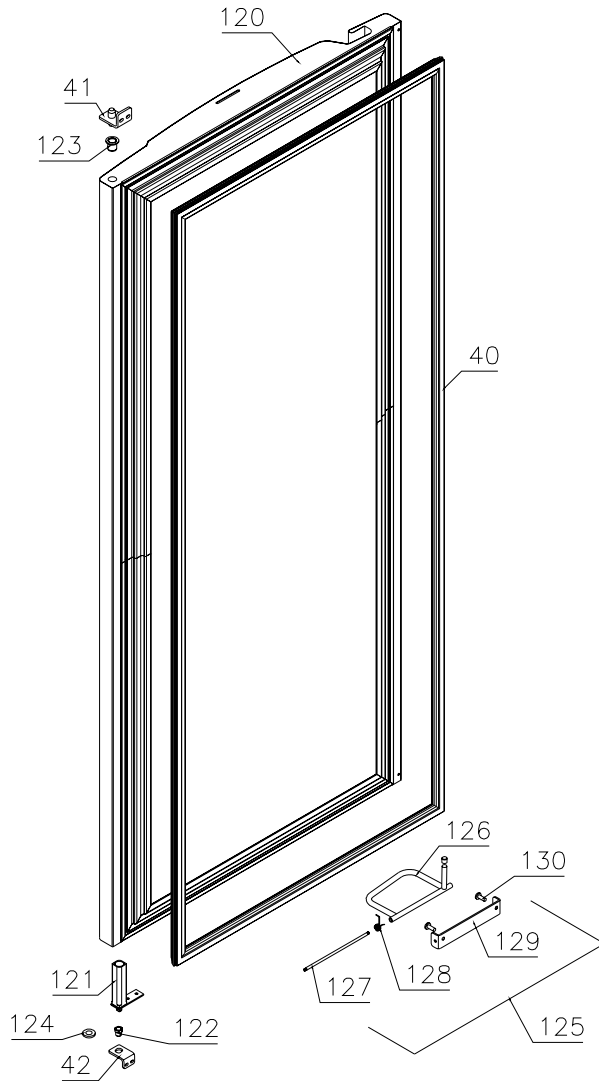
**Spare parts list for GRAM PLUS  
K/M/F 600/660 ..H**

Compiled.		Latest revision.			Discontinued	
Date	Name	Date	Name	Rev.no	Date	Name
09.01.02	JP	09.07.07	JP	16		

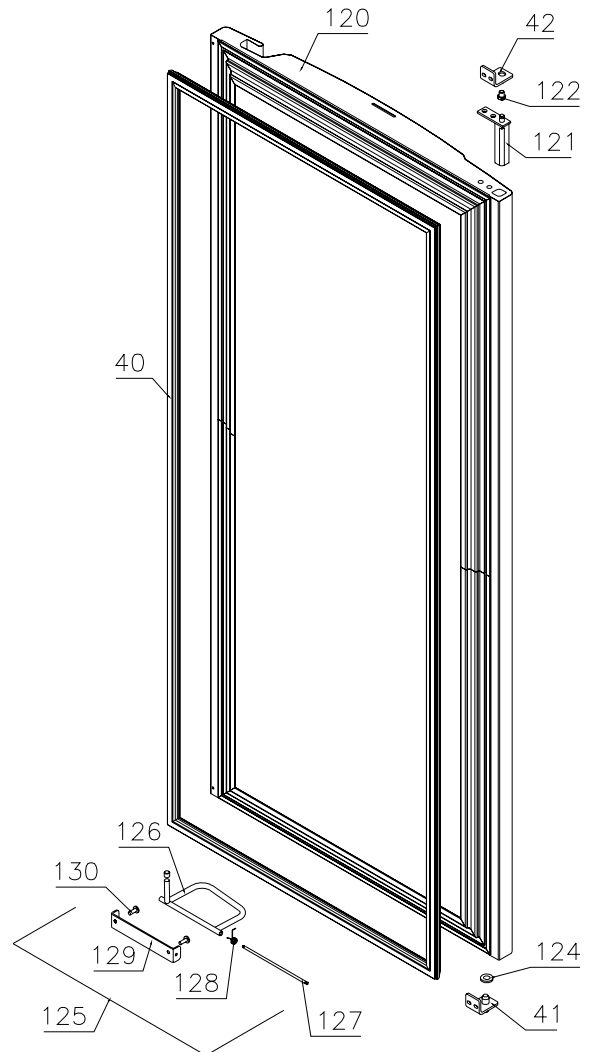
**Door**

From 072 to 472:

Righthand:



Lefthand:



Description :

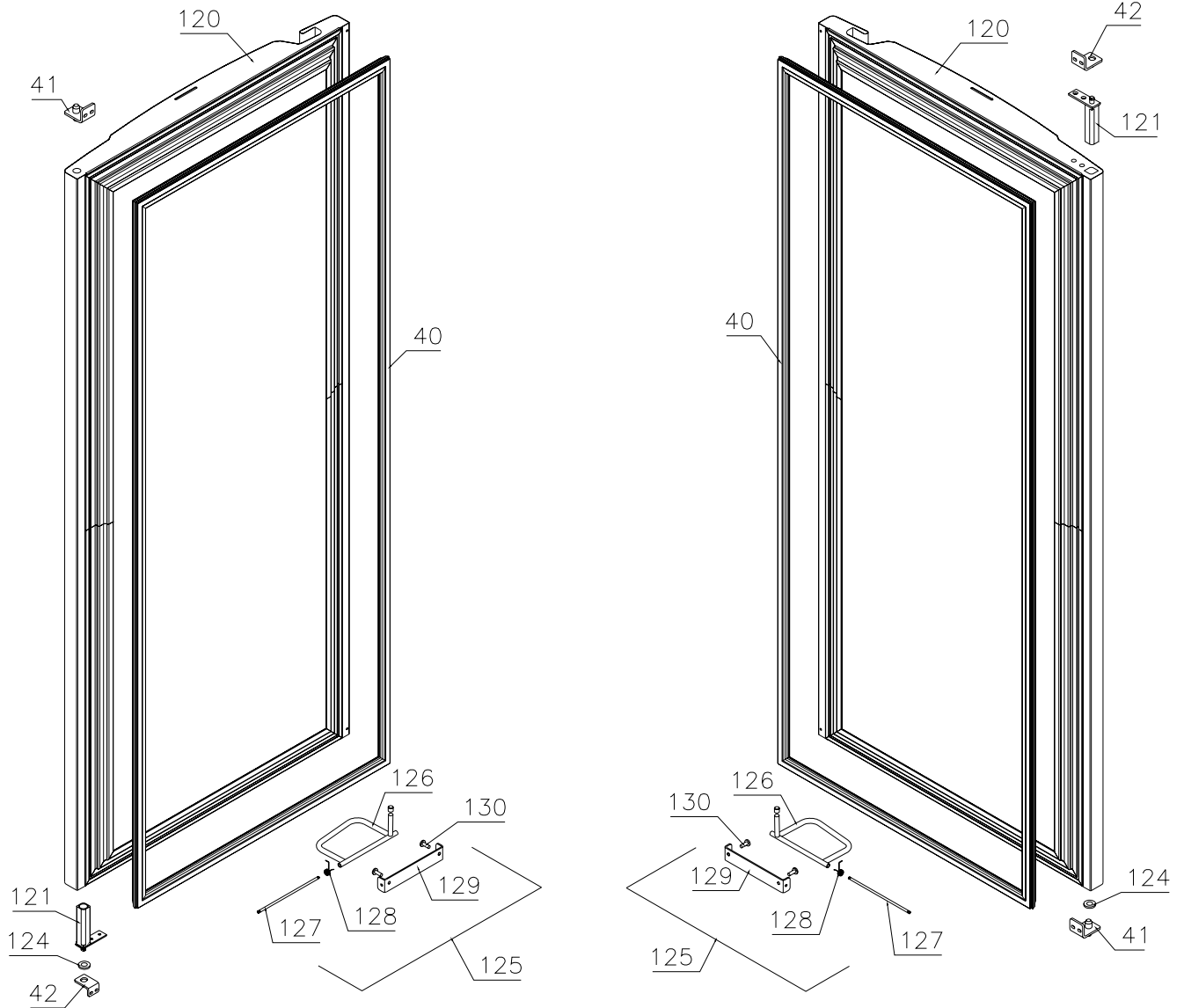
**Spare parts list for GRAM PLUS  
K/M/F 600/660 ..H**

Compiled.		Latest revision.			Discontinued	
Date	Name	Date	Name	Rev.no	Date	Name
09.01.02	JP	09.07.07	JP	16		

From 472:

Righthand:

Lefthand:



Description :

**Spare parts list for GRAM PLUS**  
**K/M/F 600/660 ..H**

Compiled.		Latest revision.			Discontinued	
Date	Name	Date	Name	Rev.no	Date	Name
09.01.02	JP	09.07.07	JP	16		

Item No.	Description	Gram part No.	week/year Issued	week/year Deleted
----------	-------------	---------------	---------------------	----------------------

**Essential spare parts**

Refrigeration system/cabinet

K/M 660:

1	Compressor FR 7,5 G	50-055-0061	072	
2	Start relay	41-058-9015	072	
3	Cover	45-244-0293	072	
4	Cord relief	45-244-0300	072	
5	Start capacitor	45-172-0018	072	
6	Condenser	76-508-0161	072	

F 660:

1	Compressor SC 12 CL	50-052-0255	072	
2	Start relay	41-058-9021	072	
3	Cover	45-244-0280	072	
4	Cord relief	45-244-0292	072	
5	Start capacitor	45-172-0018	072	
6	Condenser	76-508-0163	072	
7	Drip water heater 6,5 W	76-507-1698	072	

M/F 660:

9	Defrost heating element 350 W	76-507-0835	072	
10	Overheat safety thermostat	76-507-0828	072	

Common parts:

11	Rubber foot	76-008-0519	072	
12	Bush	76-008-0521	072	
13	Filter drier	76-508-0156	072	
14	Condenser fan motor 7 W	61-290-0001	072	
15	Wire for fan motor	61-290-0400	072	
16	Condenser sensor	45-353-1002	072	372
16	Condenser sensor	45-353-1500	372	
17	Evaporator complete	K/M 76-290-0080	072	
17	Evaporator complete	F 76-290-0081	072	
17	Evaporator	76-508-0185	072	
18	Heat exchanger	76-290-0060	072	
19	Evaporator fan motor	K/M 61-290-0002	072	
19	Evaporator fan motor	F 76-507-1656	072	365
19	Evaporator fan motor	F 61-290-0002	365	
20	Fan blade, ø200	K/M 61-290-0201	072	
20	Fan blade, ø200	F 61-062-0001	072	365
20	Fan blade, ø200	F 61-290-0201	365	

Description :

**Spare parts list for GRAM PLUS**  
**K/M/F 600/660 ..H**

Compiled.		Latest revision.			Discontinued	
Date	Name	Date	Name	Rev.no	Date	Name
09.01.02	JP	09.07.07	JP	16		

Item No.	Description	Gram part No.	week/year Issued	week/year Deleted
21	Cabinet sensor	45-353-1001	072	372
21	Cabinet sensor	45-353-1500	372	
22	Defrost sensor	45-353-1000	072	372
22	Defrost sensor	45-353-1501	372	
23	Re-evap. heating element 40 W	K/M 76-507-1758	452	075
23	Re-evap. heating element 60 W	K/M 76-507-1848	075	
24	Float switch	K/M 45-045-0099	452	075
24	Float switch	K/M 76-507-2000	075	

Control panel:

25	Electronic control, display part	76-125-7106	072	372
25	Electronic control, display part, dry cooling	76-125-7107	072	372
25	Electronic control, display part	61-290-0050	372	
26	Band cable L=1250	45-358-2049	072	372
26	Band cable L=1200	45-358-2046	372	
27	Electronic control, power part	76-125-3611	072	372
27	Electr. contr., power part – K1+	76-125-6111	372	
27	Electr. contr., power part – M1+	76-125-6120	372	
27	Electr. contr., power part – M3+	76-125-6112	372	
27	Electr. contr., power part – F1+	76-125-6113	372	
28	Fan controller	45-358-0110	072	372
29	Label with on/off switch	76-504-0168	072	372
29	Label with keys	76-504-0641	372	
30	Wire for switch L=900	45-358-2048	072	372

Door (see drg. page 4):

40	Door gasket	600	76-125-8469*	072	444
40	Door gasket	600	76-125-9243	444	
40	Door gasket	660	76-125-3309*	072	504
40	Door gasket	660	76-125-9244	504	
41	Hinge, upper right/bottom left		76-125-8923	072	434
41	Hinge, upper right/bottom left		76-125-9251	434	484
41	Hinge, upper right/bottom left		76-125-8923	484	
42	Hinge, bottom right/upper left		76-125-8998	072	473
42	Hinge, bottom right/upper left		76-125-9250	473	484
42	Hinge, bottom right/upper left		76-125-8998	484	

\* 76-125-8469 and 76-125-3309 no longer available. Use 76-125-9243/9244.

Description :

**Spare parts list for GRAM PLUS**  
**K/M/F 600/660 ..H**

Compiled.		Latest revision.			Discontinued	
Date	Name	Date	Name	Rev.no	Date	Name
09.01.02	JP	09.07.07	JP	16		

Item No.	Description	Gram part No.	week/year Issued	week/year Deleted
----------	-------------	---------------	---------------------	----------------------

**Other spare parts**

Cabinet

50	Air relief valve		76-125-4285	072	353
50	Air relief valve		76-508-1206	353	
51	Front panel, stainless	CX/RS/CS	76-125-8418	072	372
51	Front panel, stainless	CX/RS/CS	76-125-5485	372	472
51	Front panel, stainless	CX/RS/CS	76-125-5890	472	
51	Front panel, white	LS	76-125-8253	072	372
51	Front panel, white	LS	76-125-5486	372	472
51	Front panel, white	LS	76-125-5944	472	
52	Front panel plug		76-025-0272	072	
53	Hinge for front panel		76-125-8467	072	472
53	Hinge for front panel		76-125-8926	472	
54	Hinge bush		76-024-2041	072	472
55	Cover rail for evaporator		76-125-4449	072	
56	Cover plate, left		76-125-4448	072	
57	Cover plate, right		76-125-4447	072	
58	Suspension plate for evaporator		76-125-5422	072	
59	Heating element bracket	M/F	76-125-4427	072	
60	Fan holder		76-125-8499	072	
61	Cable clip		45-247-0001	072	
62	Drip water tray		76-125-6631	072	087
62	Drip water tray		76-125-6010	087	
63	Holder for drip water tray		76-125-3441	072	
64	Air distribution plate	600	76-125-4429	072	
64	Air distribution plate	660	76-125-4430	072	
65	Rail for air distribution plate		76-024-3634	072	
66	Re-evaporation tray		76-508-1149	072	
67	Cover plate for re-evap. tray		76-125-5382	072	
68	Water trap		76-008-2891	072	
69	Drain pipe		76-508-1153	422	
70	Heating element bracket	K/M	76-125-7723	452	075
70	Heating element bracket	K/M	76-125-5445	075	
71	Float switch bracket	K/M	76-125-7746	452	075
71	Float switch bracket	K/M	76-125-5446	075	
72	Lead and plug, DK 3-pin		76-507-0161	072	
72	Lead and plug, Schuko		76-507-0162	072	
72	Lead and plug, Switzerland		76-507-0163	072	
72	Lead and plug, GB		76-507-0164	072	

Description :

**Spare parts list for GRAM PLUS**  
**K/M/F 600/660 ..H**

Compiled.		Latest revision.			Discontinued	
Date	Name	Date	Name	Rev.no	Date	Name
09.01.02	JP	09.07.07	JP	16		

Item No.	Description	Gram part No.	week/year Issued	week/year Deleted
73	Wall rail	600	76-125-4325	072
73	Wall rail	600	76-125-6462	207
73	Wall rail	660	76-125-4324	072
73	Wall rail	660	76-125-6454	207
74	Shelf support rail		76-125-4343	072
74	Shelf support rail		76-125-6455	207
75	Stainless wire shelf, GN 2/1		76-508-0367	072
75	Stainless wire shelf, GN 2/1		76-508-0395	207
75	Grey wire shelf, GN 2/1		76-508-0368	072
75	Grey wire shelf, GN 2/1		76-508-0396	207
76	Screw for fan blade	61-290-0100	072	
77	Leg, stainless H=135-200	76-508-0143	072	015
77	Leg, stainless H=135-200	76-508-0115	015	
78	Fixed wheel, H=125	48-027-0520	072	
79	Castor wheel, with brake	48-026-0050	072	
80	Screw M8 x 12	42-271-5070	072	253
80	Screw M8 x 12	42-005-0100	253	
81	Front panel filter	76-125-8491	072	
82	Condenser fan guard compl.	76-508-0186	072	
83	Front panel close latch	76-125-3307	072	
84	Front panel close keeper	76-125-3301	072	
85	Condenser filter	76-111-4415	072	
86	Attachment spring	76-111-4417	072	
87	Door lock	76-508-0099	072	422
87	Door lock	76-508-0094	422	033
87	Door lock	76-508-0092	033	
88	Key no. 1 (3113)	76-508-0330	072	033
88	Key no. 2 (3211)	76-508-0331	072	033
88	Key no. 3 (3141)	76-508-0332	072	033
88	Key no. 4 (4112)	76-508-0333	072	033
88	Key no. 5 (1224)	76-508-0334	072	033
88	Key no. 6 (4131)	76-508-0335	072	033
88	Key no. 7 (1333)	76-508-0336	072	033
88	Key no. 8 (3122)	76-508-0337	072	033
88	Key no. 9 (1131)	76-508-0338	072	033
88	Key no. 10 (3231)	76-508-0339	072	033
88	Key no. 1 (25010)	76-508-0340	033	
88	Key no. 2 (25020)	76-508-0341	033	
88	Key no. 3 (25030)	76-508-0342	033	
88	Key no. 4 (25040)	76-508-0343	033	
88	Key no. 5 (25050)	76-508-0344	033	
88	Master key	76-508-0385	033	

*Gram Commercial*  
*Technical information*

76-504-0847

Description :

**Spare parts list for GRAM PLUS  
K/M/F 600/660 ..H**

Compiled.		Latest revision.			Discontinued	
Date	Name	Date	Name	Rev.no	Date	Name
09.01.02	JP	09.07.07	JP	16		

Item No.	Description		Gram part No.	week/year Issued	week/year Deleted
89	Back cover plate	600	76-125-7708	342	
89	Back cover plate	660	76-024-7704	342	
90	Bush for backplate		76-125-2852	322	
91	Screw 3,5x13		42-257-8027	322	
92	Junction box f. re-evap. heater	K/M	76-507-0139	452	
93	Bracket for lock		76-125-8595	072	033
93	Bracket for lock		76-125-8747	033	
94	Bush ø12		76-125-4345	472	
95	Plastic cap		45-045-0090	452	075
95	Plastic cap		45-045-0080	075	



Description :

**Spare parts list for GRAM PLUS  
K/M/F 600/660 ..H**

Compiled.		Latest revision.			Discontinued	
Date	Name	Date	Name	Rev.no	Date	Name
09.01.02	JP	09.07.07	JP	16		

Item No.	Description	Gram part No.	week/year Issued	week/year Deleted
----------	-------------	---------------	---------------------	----------------------

Control panel:

100	Junction box	76-125-5376	072	
101	Cover for junction box	76-125-5378	072	
102	Door switch	45-040-0100	072	402
102	Door switch	45-040-0101	402	163
102	Door switch	45-040-0102	163	
103	Distance tube L=8.3 mm	76-508-0021	072	
104	Trafo for lights	76-007-3649	072	476
104	Trafo for lights	76-007-3650	476	
105	Halogen light 10 W	45-074-2002	072	
106	Bracket for door switch and lock	76-125-8536	072	472
106	Bracket for door switch and lock	76-125-9005	472	
107	Appliance inlet	45-102-2002	072	
108	Relay	45-020-0082	072	
109	Relay socket	45-020-0097	072	
110	Distance bush L=16	45-111-9513	072	
111	Mounting socket for halogen light	45-074-2001	072	
112	Wiring for halogen light	76-507-1603	072	
113	Spacer for PCB	45-111-9515	072	
114	Sensor plug holder	45-226-0601	372	
115	Sensor plug	45-226-0600	372	
116	Cable clip	42-435-0001	472	

Description :

**Spare parts list for GRAM PLUS**  
**K/M/F 600/660 ..H**

Compiled.		Latest revision.			Discontinued	
Date	Name	Date	Name	Rev.no	Date	Name
09.01.02	JP	09.07.07	JP	16		

Item No.	Description	Gram part No.	week/year Issued	week/year Deleted
<u>Door :</u>				
120	Door (replacement kit)	600 CX/CS	76-125-9222	072
120	Door (replacement kit)	600 CX/CS	76-125-9200	372
120	Door	600 CX/CS	76-125-5872	472
120	Door (replacement kit)	660 CX/RS	76-125-9223	072
120	Door (replacement kit)	660 CX/RS	76-125-9201	372
120	Door	660 CX/RS	76-125-5881	472
120	Door (replacement kit)	660 LS	76-125-9202	072
120	Door	660 LS	76-125-5878	472
121	Self-close device		76-125-8484	072
121	Self-close device		76-125-9909	472
122	Adapter for self-close		76-125-8512	072
123	Hinge bush		76-024-2041	072
124	Washer (nylon)		76-125-8490	072
124	Washer (nylon)		76-025-0524	472
124	Washer		42-170-8020	453
125	Foot pedal complete, lefthand		76-125-8481	072
125	Foot pedal complete, righthand		76-125-8421	072
126	Pedal arm, lefthand		76-125-8482	072
126	Pedal arm, righthand		76-125-8407	072
127	Pedal spindle		76-125-8406	072
128	Spring for pedal, lefthand		76-025-1364	072
128	Spring for pedal, righthand		76-025-1363	072
129	Bracket for pedal		76-125-8404	072