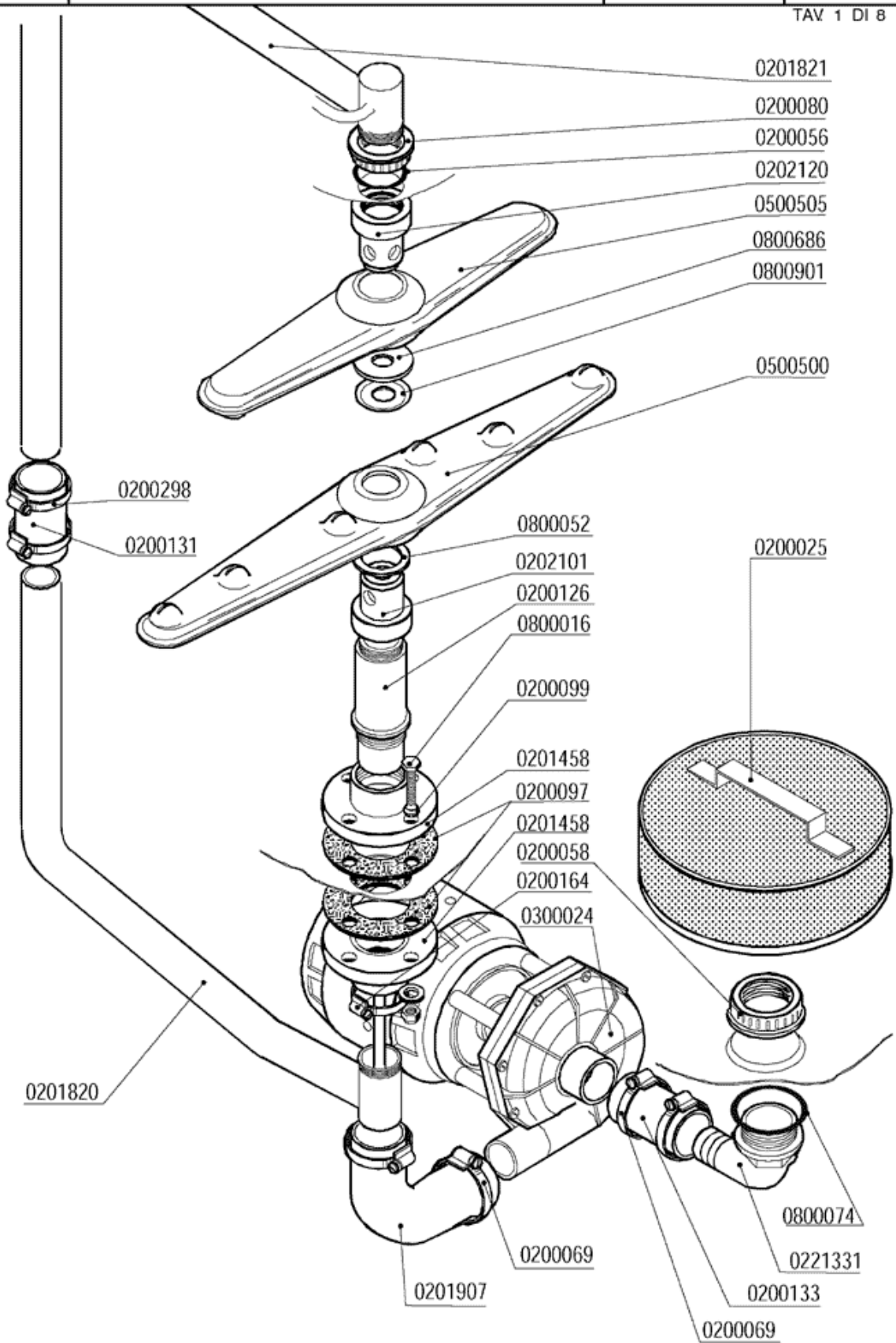


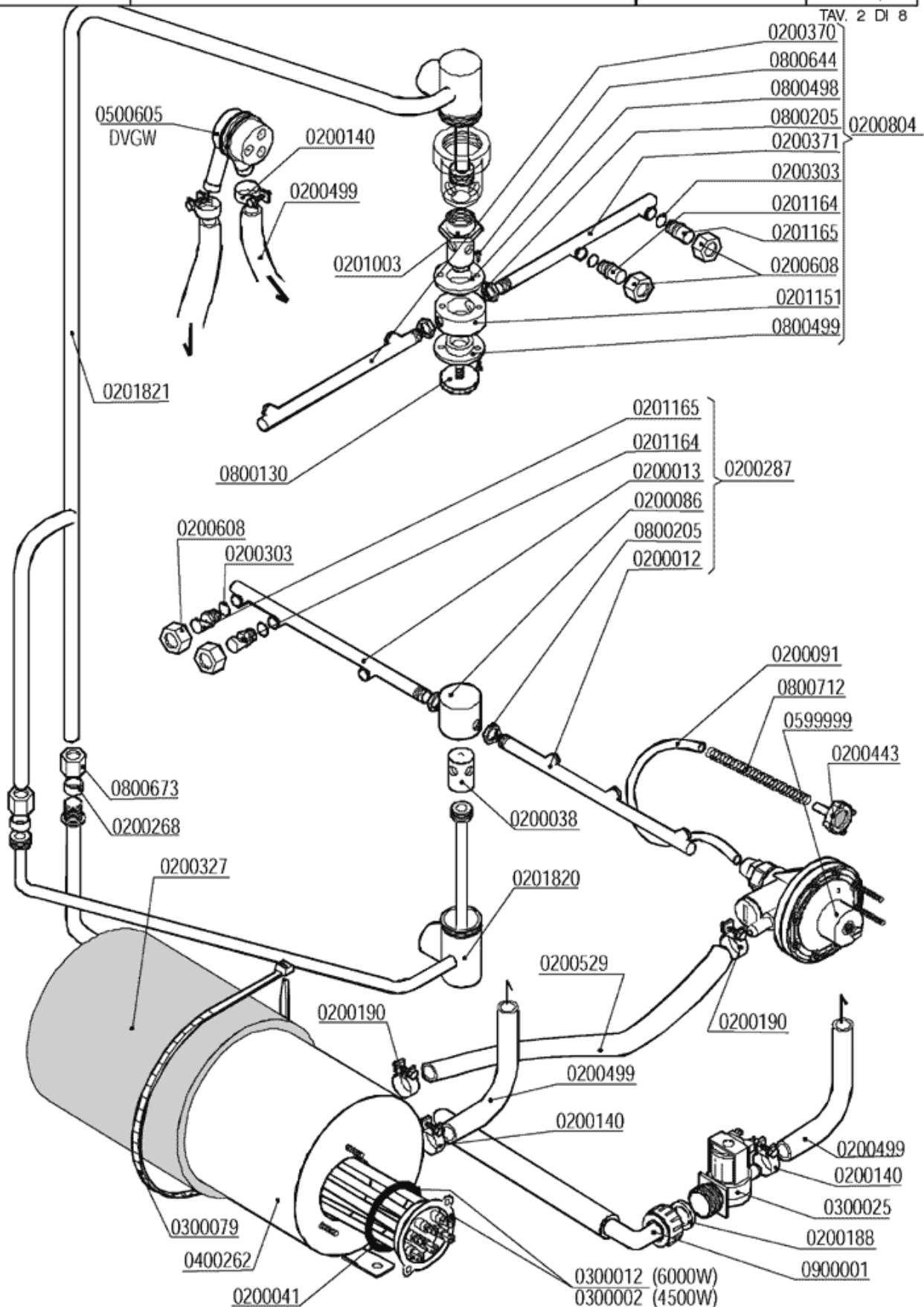
- 1 - WASH COMPONENTS
- 2 - RINSE COMPONENTS
- 3 - TANK COMPONENTS
- 4 - CONTROL BOX
- 5 - DRAIN PUMP PARTS
- 6 - HOOD
- 7 - DISPENSERS
- 8 - WATER-SOFTENER





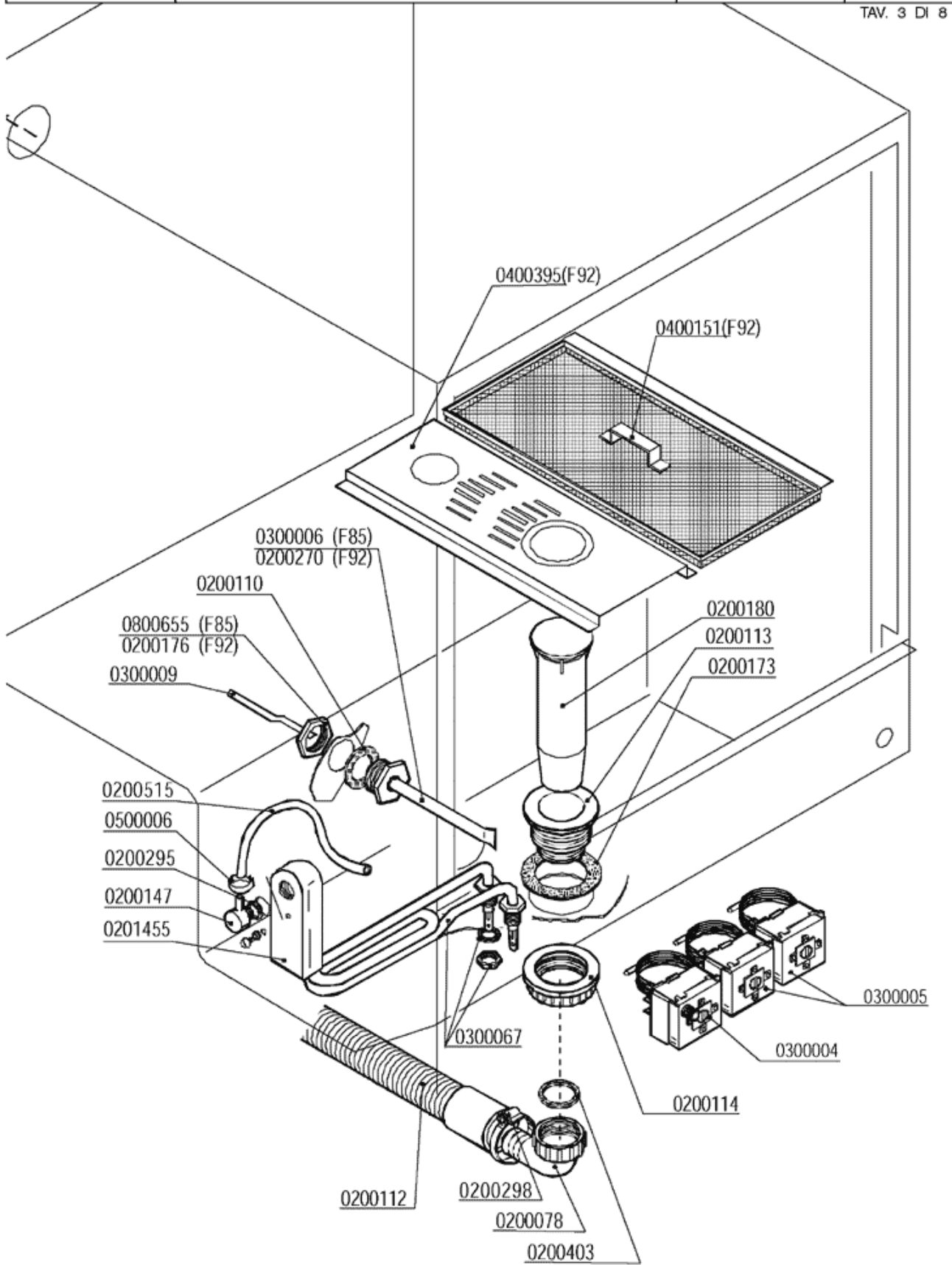
1 - WASH COMPONENTS

| CODE | DESCRIPTION |
|---------|-------------------------------------|
| 0200025 | FILTER D.215X65 K0637 |
| 0200056 | OR 144 DRAINS 1"¼ |
| 0200058 | RING NUT 1"½ |
| 0200069 | CLAMP 40-60 |
| 0200080 | RING NUT 1"¼ 2190 PA |
| 0200097 | RUBBER JOINT 105X45X3 4H |
| 0200099 | NYLTITE JOINT M8 |
| 0200126 | WASH COLUMN 031 REF.5 |
| 0200131 | RADIOR SLEEVE 30X100 F 1854-94 |
| 0200133 | RADIOR SLEEVE 40X60 01-075F 1855-94 |
| 0200164 | CLAMP 32-50 |
| 0200298 | CLAMP 25-40 |
| 0201458 | COUPLING FLANGE 1"¼ D.110 |
| 0201820 | LOWER WASHING AND RINSING MANIFOLD |
| 0201821 | WASHING MANIFOLD F85VS 3200 |
| 0201907 | SLEEVE 38X105+38X60 PREM.F85VS 2875 |
| 0202101 | WASH ARM BOSS D.18 2H NSF |
| 0202120 | WASH ARM BOSS D.22 4H NSF |
| 0221331 | ELBOW 1"½X40 SUCTION F92 CHAIR 2131 |
| 0300024 | *****REPLACED BY 0301203***** |
| 0500500 | WASH ARM 540/6H NSF |
| 0500505 | WASH ARM 380/6H NSF |
| 0800016 | SCREW TEM8X40 STAINLESS STEEL |
| 0800052 | TEFLON WASHER 57X42X2 |
| 0800074 | DRAIN OR |
| 0800686 | NYLON WASHER 50X22.2X2 2782-96 |
| 0800901 | WASH ARM S.S.WASHER 50X22,2 2781 |



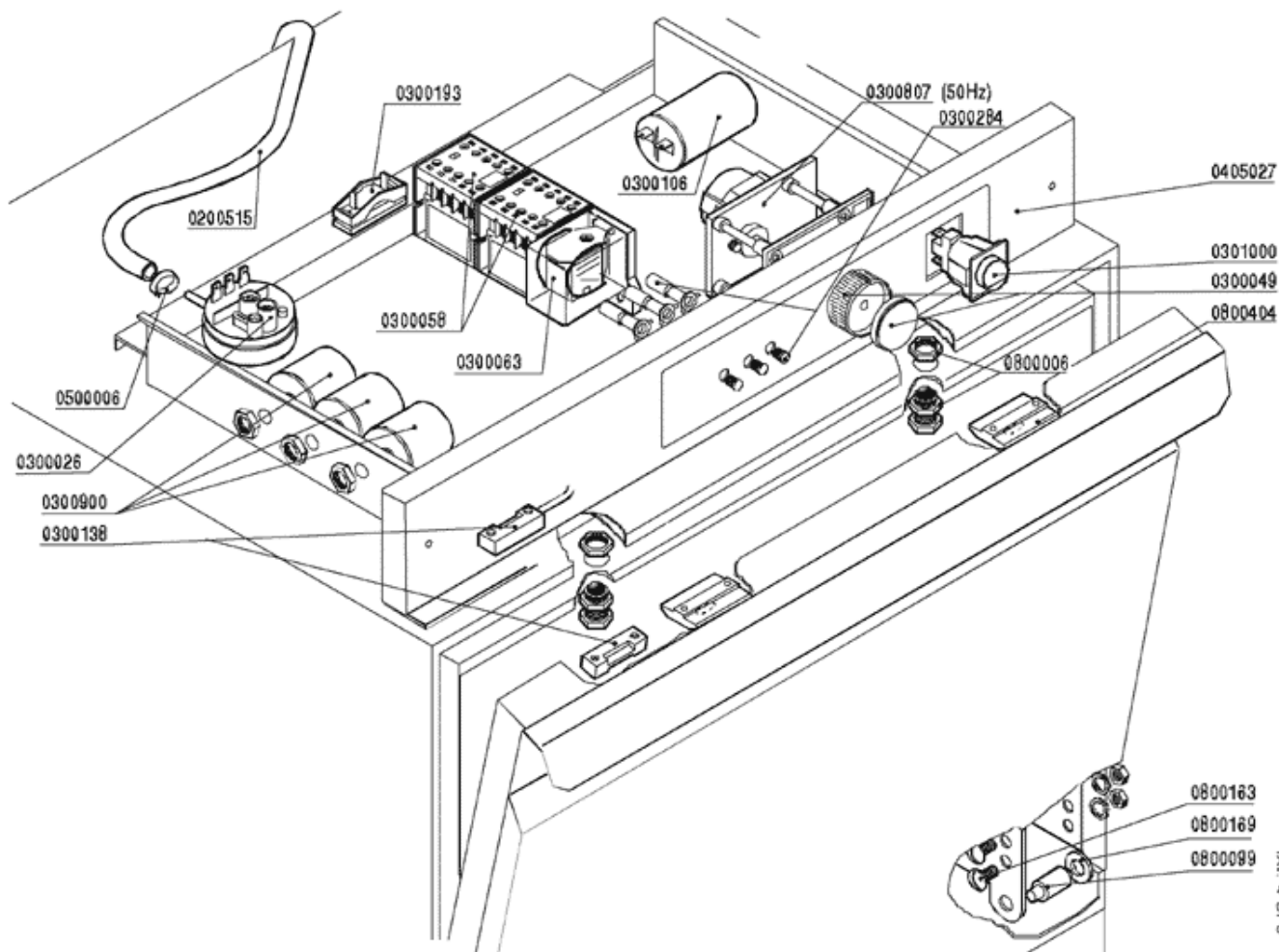
2 - RINSE COMPONENTS

| CODE | DESCRIPTION |
|---------|---|
| 0200012 | RH RINSE ARM 230MM BASKET 50 |
| 0200013 | LH RINSE ARM 230MM BASKET 50 |
| 0200038 | S.S. PIVOT FOR LOWER RINSE ARM 1205 |
| 0200041 | OR 6225 RINSETANK ELEMENT |
| 0200086 | RINSE ARM BOSS 1206 |
| 0200091 | CRYSTAL HOSE PP 4X6 |
| 0200140 | CLAMP 17X19 |
| 0200188 | RUBBER SEAL 25X16X2 |
| 0200190 | CLAMP 13X15 |
| 0200268 | BICONIC NUT TEFLON 3/8X12 |
| 0200287 | COMPLETE RINSE ARM FOR 50X50 SIZE RACK |
| 0200303 | OR 2021 RINSE NOZZLES |
| 0200327 | RINSETANK INSULATION 5LT.D. 110 2725 |
| 0200370 | RH RINSE ARM 200MM 45 |
| 0200371 | LH RINSE ARM 200MM 45 |
| 0200443 | RINSE AID PUMP BOTTOM FILTER |
| 0200499 | RUBBER HOSE 12X19,5 FOOD QUALITY |
| 0200529 | *****REPLACED BY 0200293***** |
| 0200608 | RINSE NOZZLE FIXING RING NUT OT/NI 2611 |
| 0200804 | UPPER RINSE ARM EFFE-ELLE |
| 0201003 | UPPER RINSE PIVOT 2608/96 NSF |
| 0201151 | RINSE ARM ROTATING BOSS 2142/95 |
| 0201164 | RINSE NOZZLE HOLE 1,2 D.2612 NSF |
| 0201165 | RINSE NOZZLE HOLE 1,5 D.2609 NSF |
| 0201820 | LOWER WASHING AND RINSING MANIFOLD |
| 0201821 | WASHING MANIFOLD F85VS 3200 |
| 0300002 | S.S.ELEMENT 4500W/3 FLANGE |
| 0300012 | ELEMENT 6000W/3 S.S.FLANGE |
| 0300025 | SIMPLE SOLENOID VALVE |
| 0300079 | CLAMP FOR RINSETANK INSULATION |
| 0400262 | RINSETANK 5LT D.110 R.E. 2756 |
| 0500605 | VACUUM BREAKER VALVE DVGW GD |
| 0599999 | RINSE AID PUMP TYPE 3000 |
| 0800130 | UPPER ROTATING RINSE ARM SCREW |
| 0800205 | S.S.NUT M12X1 724 E16S5 |
| 0800498 | LB RINSE ARM BUSH D.16.2 2143 |
| 0800499 | LB RINSE ARM BUSH D.13.3 2606 |
| 0800644 | S.S. SCREW TPSTCR M3X8 |
| 0800673 | BRASS BICONIC NUT |
| 0800712 | S.S.SPRING 160MM RINSE AID PUMP HOSE |
| 0900001 | RUBBER LOAD HOSE 90°C VDE |



3 - TANK COMPONENTS

| CODE | DESCRIPTION |
|---------|--|
| 0200078 | DRAIN UNION 1"1/4X32 2121 RIF.21+22 8121 |
| 0200110 | FLAT JOINT 31X21X2 |
| 0200112 | DRAIN HOSE D.28 C/317 |
| 0200113 | DRAIN 007 REF.18 |
| 0200114 | NUT 2" DRAIN PLUG 2190 |
| 0200147 | RUBBER PIPE FITTING M12X4 90° 1821-94 |
| 0200173 | RUBBER JOINT 75X58X2 REF.19 |
| 0200176 | NUT ½" 2190 |
| 0200180 | OVERFLOW EFFE/ELLE 1280 |
| 0200270 | DOUBLE SHEATH ½" ES25 7X8X120 |
| 0200295 | NYLTITE JOINT M12 |
| 0200298 | CLAMP 25-40 |
| 0200403 | FLAT JOINT 38X27X2 3794 |
| 0200515 | LEVEL SWITCH HOSE 4,2X10,4 |
| 0201455 | FRONT AIR TRAP L=85MM |
| 0300004 | SAFETY THERMOSTAT 1NC/LS1 |
| 0300005 | THERMOSTAT 90°C 1NONC BOILER IMIT |
| 0300006 | S.S.THERMOSTAT SHEATH |
| 0300009 | CLUTCH SPRING REF.134 |
| 0300067 | TANK ELEMENT 2000W |
| 0400151 | STRAINER DRAWER F92 VS 3021 |
| 0400395 | FILTER INTERMEDIATE SUPPORT F92 VS 2675 |
| 0500006 | CLAMP CLIC 11,5-13,5 |
| 0800655 | NICKEL-PLATED BRASS NUT ½" |



Garber

QUADRO ELETTRICO - TABLEAU ELECTRIQUE
CONTROL BOX - ELEKTRO SCHALTAFEL

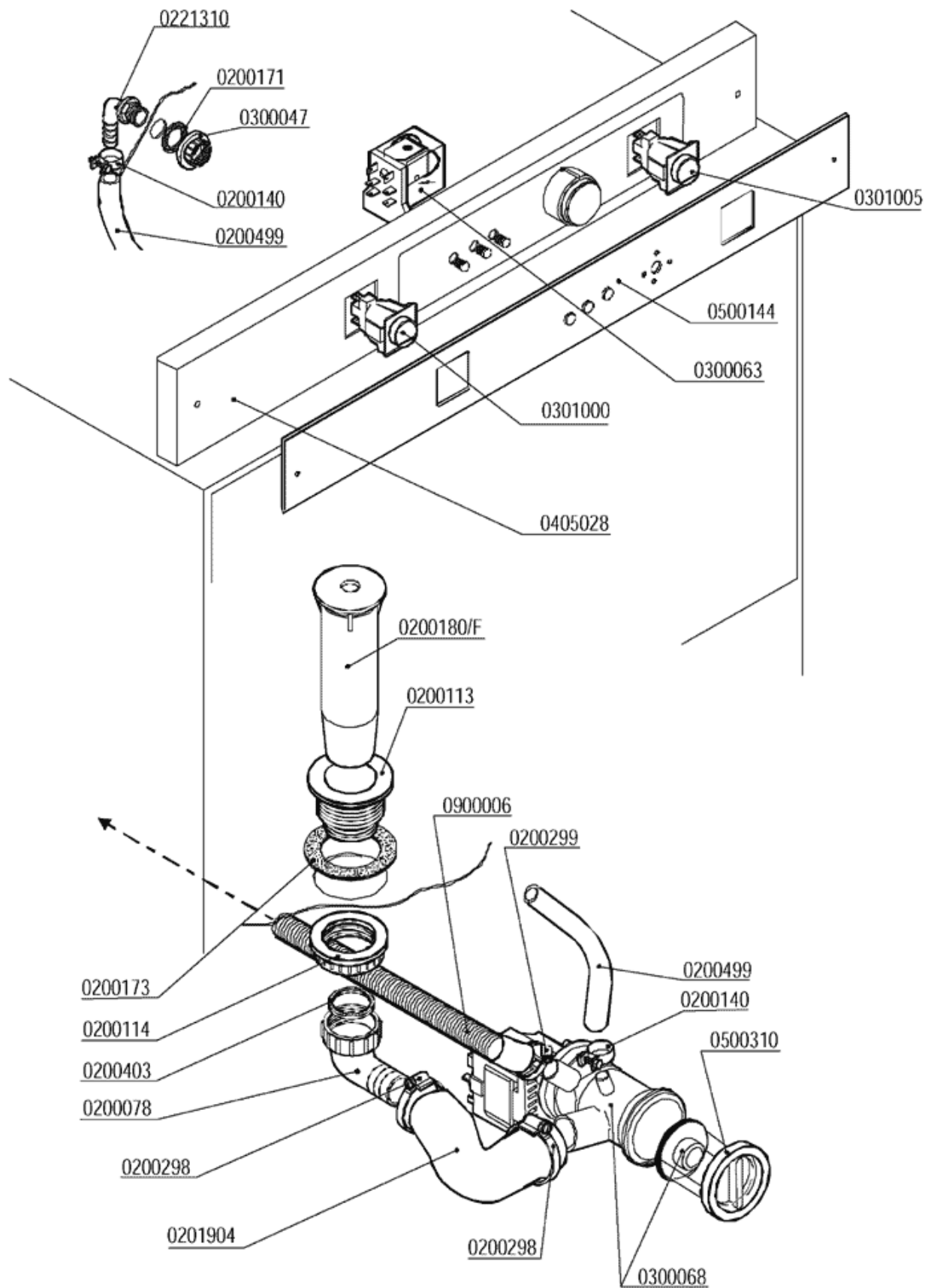
MOD.
F85-F92

TAV.
4 G

ED. 10/00
TAV. 4 D/18

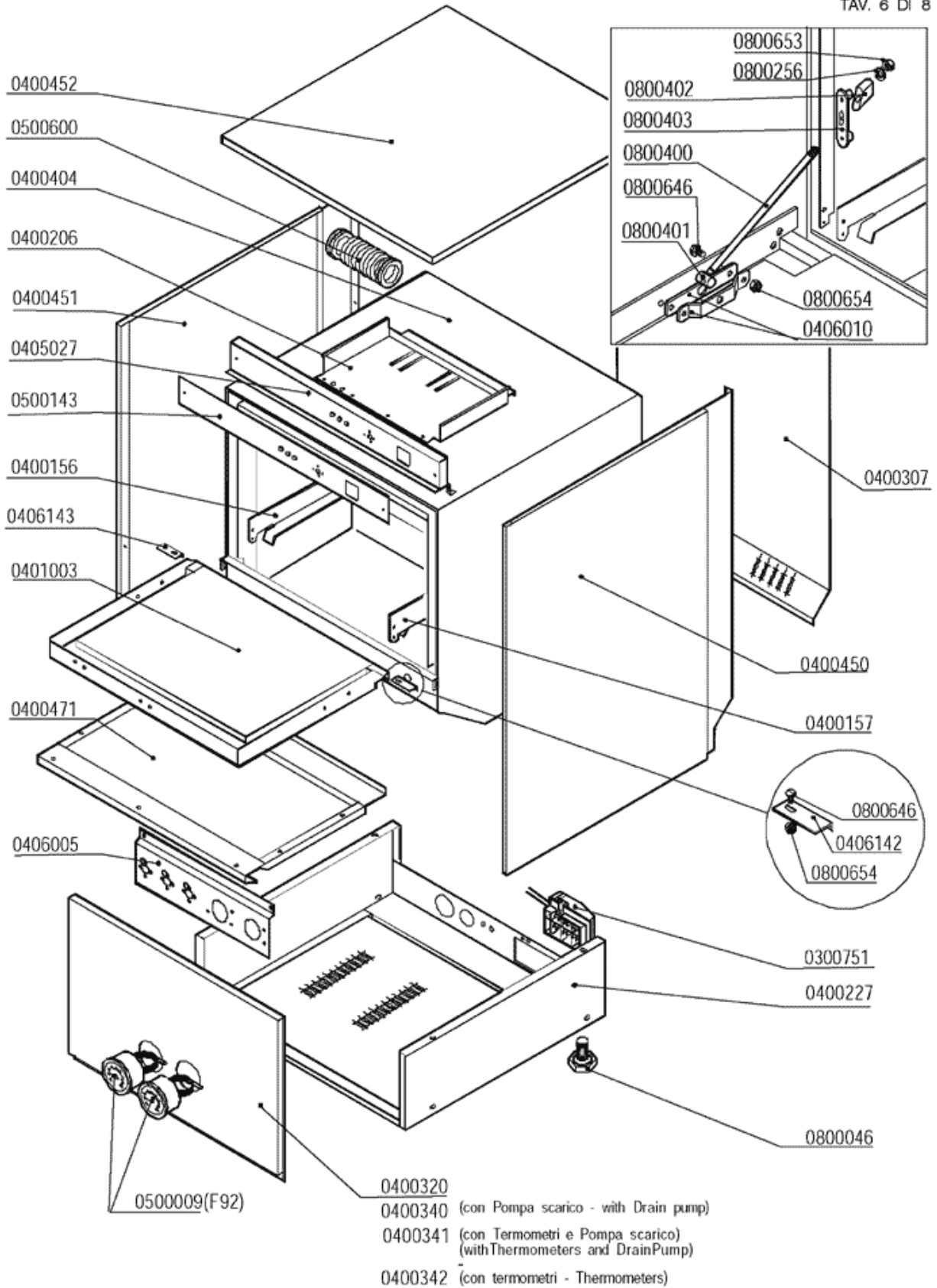
4 - CONTROL BOX

| CODE | DESCRIPTION |
|---------|-----------------------------------|
| 0200515 | LEVEL SWITCH HOSE 4,2X10,4 |
| 0300026 | LEVEL SWITCH 60/30 16A 1NONC |
| 0300049 | TIMER KNOB |
| 0300058 | CONTACTOR 16A 4NO LC1-K0610M7 |
| 0300063 | *****REPLACED BY 0301745***** |
| 0300106 | CONDENSER-CAPACITOR 10ÓF |
| 0300138 | MAGNETIC SWITCH A81 1NO |
| 0300193 | CABLE FIXER PA 268 + SCREW 3,5X25 |
| 0300284 | GREEN LED D.6 |
| 0300807 | TIMER WITH PUSHBUTTON |
| 0300900 | ANTIJAMMING FILTER 411135001 |
| 0301000 | GREEN ON/OFF SWITCH 16A 2NO 30X30 |
| 0405027 | CONTROL PANEL F85-F92 2514 |
| 0500006 | CLAMP CLIC 11,5-13,5 |
| 0800006 | LOCKING DOOR WITH NUTS 225-83 |
| 0800099 | DOOR PIN 1866-94 |
| 0800163 | S.S.POELIER SCREW M6X10 |
| 0800169 | DOOR PIVOT BUSH |
| 0800404 | DOOR LOCK SEAT |



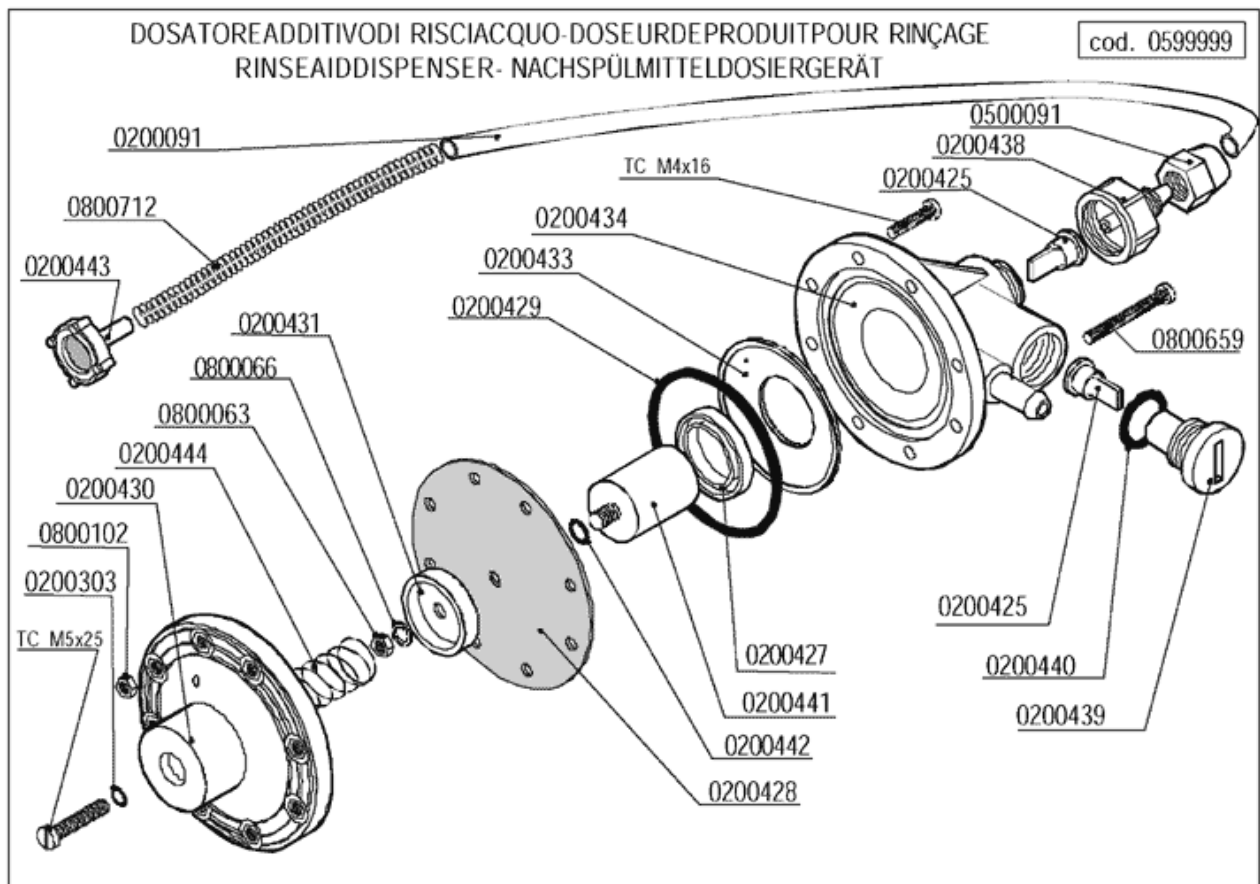
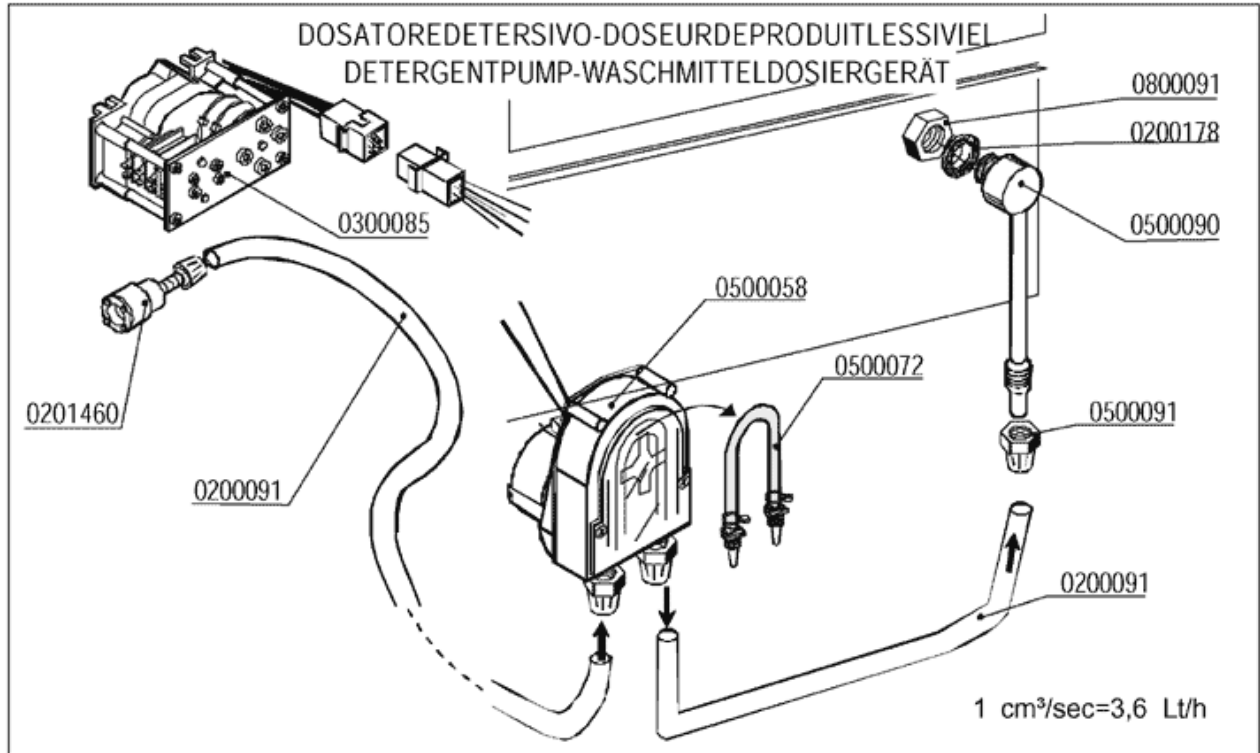
5 - DRAIN PUMP PARTS

| CODE | DESCRIPTION |
|---------|--|
| 0200078 | DRAIN UNION 1"1/4X32 2121 RIF.21+22 8121 |
| 0200113 | DRAIN 007 REF.18 |
| 0200114 | NUT 2" DRAIN PLUG 2190 |
| 0200140 | CLAMP 17X19 |
| 0200171 | FLAT JOINT 27X17X2 OMNIA-BLU |
| 0200173 | RUBBER JOINT 75X58X2 REF.19 |
| 0200298 | CLAMP 25-40 |
| 0200299 | CLAMP 20-32 |
| 0200403 | FLAT JOINT 38X27X2 3794 |
| 0200499 | RUBBER HOSE 12X19,5 FOOD QUALITY |
| 0201904 | SLEEVE LB 38X70+29X120 686-88 |
| 0221310 | ELBOW RUBBER PIPE FITTING 3/8"MX12 |
| 0300047 | NUT PP 3/8" 2190 |
| 0300063 | *****REPLACED BY 0301745***** |
| 0300068 | DRAIN PUMP 30W 290886 ASK/CEMA |
| 0301000 | GREEN ON/OFF SWITCH 16A 2NO 30X30 |
| 0301005 | GREEN SWITCH 2NONC DRAIN PUMP |
| 0405028 | CONTROL PANEL F92 PS 2514 |
| 0500144 | PLATE PBC F92 P.S. LAMBER 566X58 |
| 0500310 | PLUG FILTER DRAIN PUMP |
| 0900006 | DRAIN PUMP OUTLET HOSE D.19.5 |



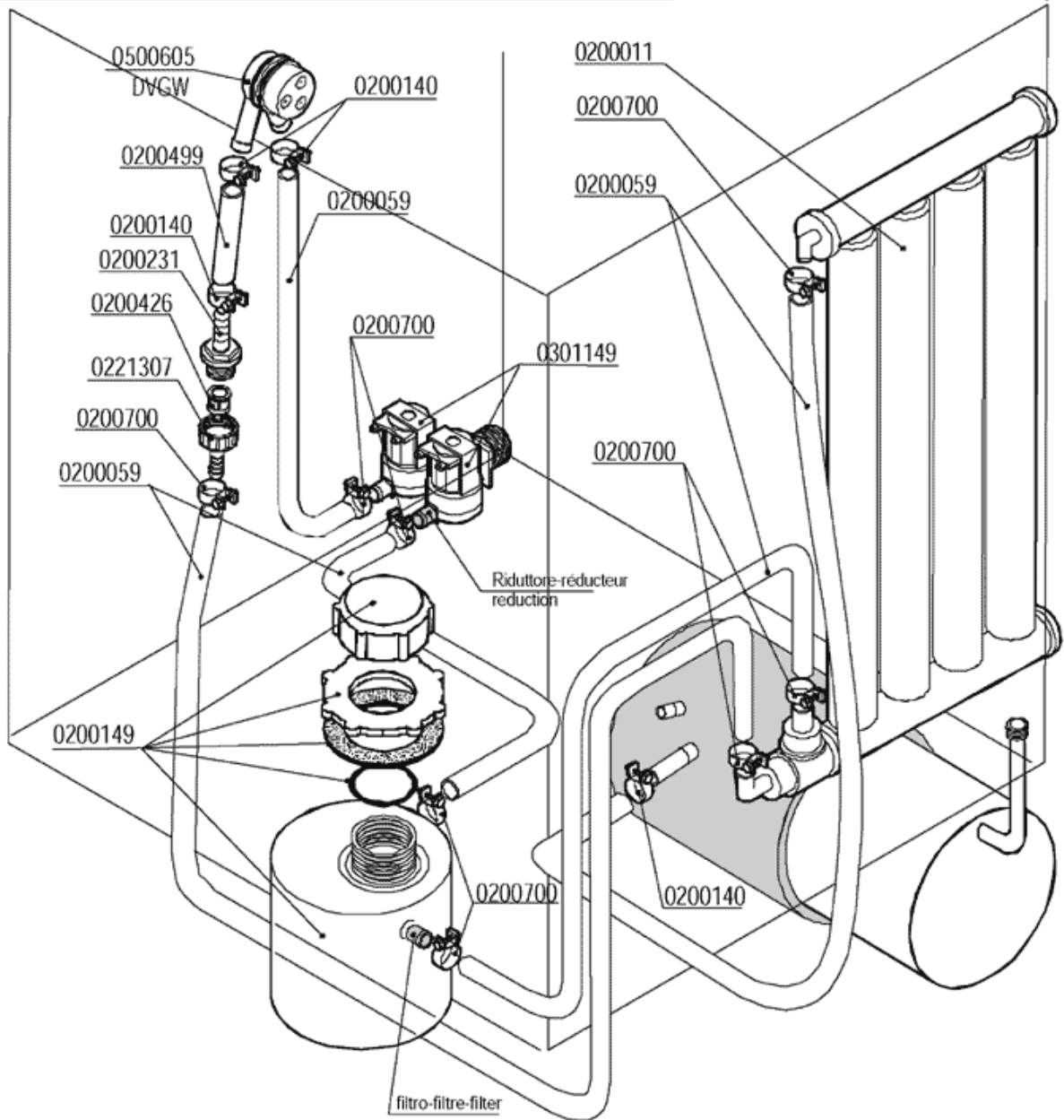
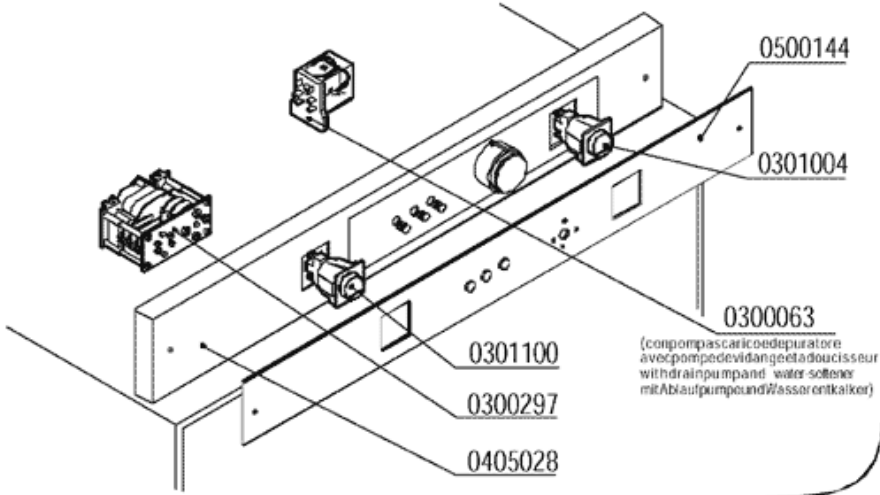
6 - HOOD

| CODE | DESCRIPTION |
|---------|--|
| 0300751 | EXTERNAL WIRING CLAMP PA223 6 POLES |
| 0400156 | LEFT GUIDE F92 |
| 0400157 | RIGHT GUIDE F92 |
| 0400206 | LOOM PLATE EFFE 2198 |
| 0400227 | BASE F92 4870 |
| 0400307 | BACK PANEL F92 |
| 0400320 | FRONT PANEL F85 2681 |
| 0400340 | FRONT PANEL FOR F92 WITH DRAIN PUMP |
| 0400342 | FRONT PANEL WITH 2 THERMOMETERS |
| 0400404 | TANK F85 VS |
| 0400450 | SIDE PANEL 050F-075F-F85-F92 |
| 0400451 | SIDE PANEL LH 050F-075F-F85-F92 |
| 0400452 | UPPER PANEL EFFE |
| 0400471 | DOOR PANEL 050F-F85-075F-F92 |
| 0401003 | DOOR F92-050F-F85-075F |
| 0405027 | CONTROL PANEL F85-F92 2514 |
| 0406005 | THERMOSTATS/RINSE AID PUMP BEARING F85VS |
| 0406010 | DOOR TIE ROD LOCK F/LB 2500-2501/95 |
| 0406142 | SPLASH SHIELD PLATE RIGHT DOOR EFFE 2516 |
| 0406143 | SPLASH SHIELD PLATE LEFT DOOR EFFE 2516 |
| 0500009 | DOUBLE SCALE ROUND TEMPERATURE GAUGE |
| 0500143 | PLATE PCB F92 LAMBER 566X58 |
| 0500600 | STEAM BREATHER SLEEVE |
| 0800046 | FOOT M10 |
| 0800256 | S.S.FLAT WASHER D.5MM |
| 0800400 | DOOR TIE ROD M5X305 795 |
| 0800401 | TIE ROD ARTICULATION |
| 0800402 | DOOR TIE ROD STOPPER |
| 0800403 | DOOR SLIDE PLATE |
| 0800646 | M4X10 POELIER SCREW |
| 0800653 | S.S. SELFLOCKING NUT M5 |
| 0800654 | M4 STAINLESS STEEL SELFLOCKING NUT |



7 - DISPENSERS

| CODE | DESCRIPTION |
|---------|---------------------------------------|
| 0200091 | CRYSTAL HOSE PP 4X6 |
| 0200178 | FLAT JOINT 19X12X2 REF.121 |
| 0200303 | OR 2021 RINSE NOZZLES |
| 0200425 | RINSE AID PUMP VALVE COM3000 |
| 0200427 | MIN RING VITON RINSE AID PUMP 3000 |
| 0200428 | RINSE AID PUMP MEMBRANE MOD.3000 |
| 0200429 | OR 3218 RINSE AID PUMP MOD.3000 |
| 0200431 | GUIDE WASHER RINSE AID SPRING 3000 |
| 0200433 | RINSE AID PUMP INTERNAL GASKET |
| 0200434 | RINSE AID PUMP BODY MOD.3000 |
| 0200438 | RINSE AID PUMP SUCTION UNION |
| 0200439 | VALVE BEARING PLUG FOR RINSE AID PUMP |
| 0200440 | OR JOINT FOR RINSE AID PUMP |
| 0200441 | COMPLETE RAM KIT RINSE AID PUMP 3000 |
| 0200442 | OR 2025 RINSE AID PUMP 3000 |
| 0200443 | RINSE AID PUMP BOTTOM FILTER |
| 0201460 | S.S.DETERGENT PUMP FILTER |
| 0300085 | TIMER 60" DETERGENT PUMP 1CF1CR |
| 0500058 | ***REPLACED BY 0500060*** |
| 0500072 | SANTOPRENE PERISTALTIC HOSE NEW MODEL |
| 0500090 | S.S.DETERGENT INJECTOR |
| 0500091 | DETERGENT INJECTOR BRASS NUT 2102 |
| 0599999 | RINSE AID PUMP TYPE 3000 |
| 0800063 | S.S.NUT M6 |
| 0800066 | S.S. GROWER WASHER |
| 0800091 | S.S. NUT M12 |
| 0800102 | STAINLESS STEEL NUT M4 |
| 0800659 | S.S.SCREW TCTCR M4X40 |
| 0800712 | S.S.SPRING 160MM RINSE AID PUMP HOSE |





8 - WATER-SOFTENER

| CODE | DESCRIPTION |
|---------|-------------------------------------|
| 0200011 | WATER-SOFTENER COLUMN |
| 0200059 | RUBBER HOSE 10X17 FOOD QUALITY |
| 0200140 | CLAMP 17X19 |
| 0200149 | SALT JAR FOR WATER-SOFTENER |
| 0200231 | RUBBER PIPE FITTING 3/4"MX12 |
| 0200426 | CHECK VALVE DEP GRC WZ-165-004 |
| 0200499 | RUBBER HOSE 12X19,5 FOOD QUALITY |
| 0200700 | COLLAR CLAMP 16X18 |
| 0221307 | RUBBER PIPE FITTING 3/4" X 12 |
| 0300063 | *****REPLACED BY 0301745***** |
| 0300297 | REGENERATION TIMER |
| 0301004 | ON/OFF SWITCH 16A 1NO1NONC |
| 0301100 | GREY PUSH BUTTON 16A 1NO 30X30 |
| 0301149 | DOUBLE CLEANER SOLENOID VALVE/RULER |
| 0405028 | CONTROL PANEL F92 PS 2514 |
| 0500144 | PLATE PBC F92 P.S. LAMBER 566X58 |
| 0500605 | VACUUM BREAKER VALVE DVGW GD |