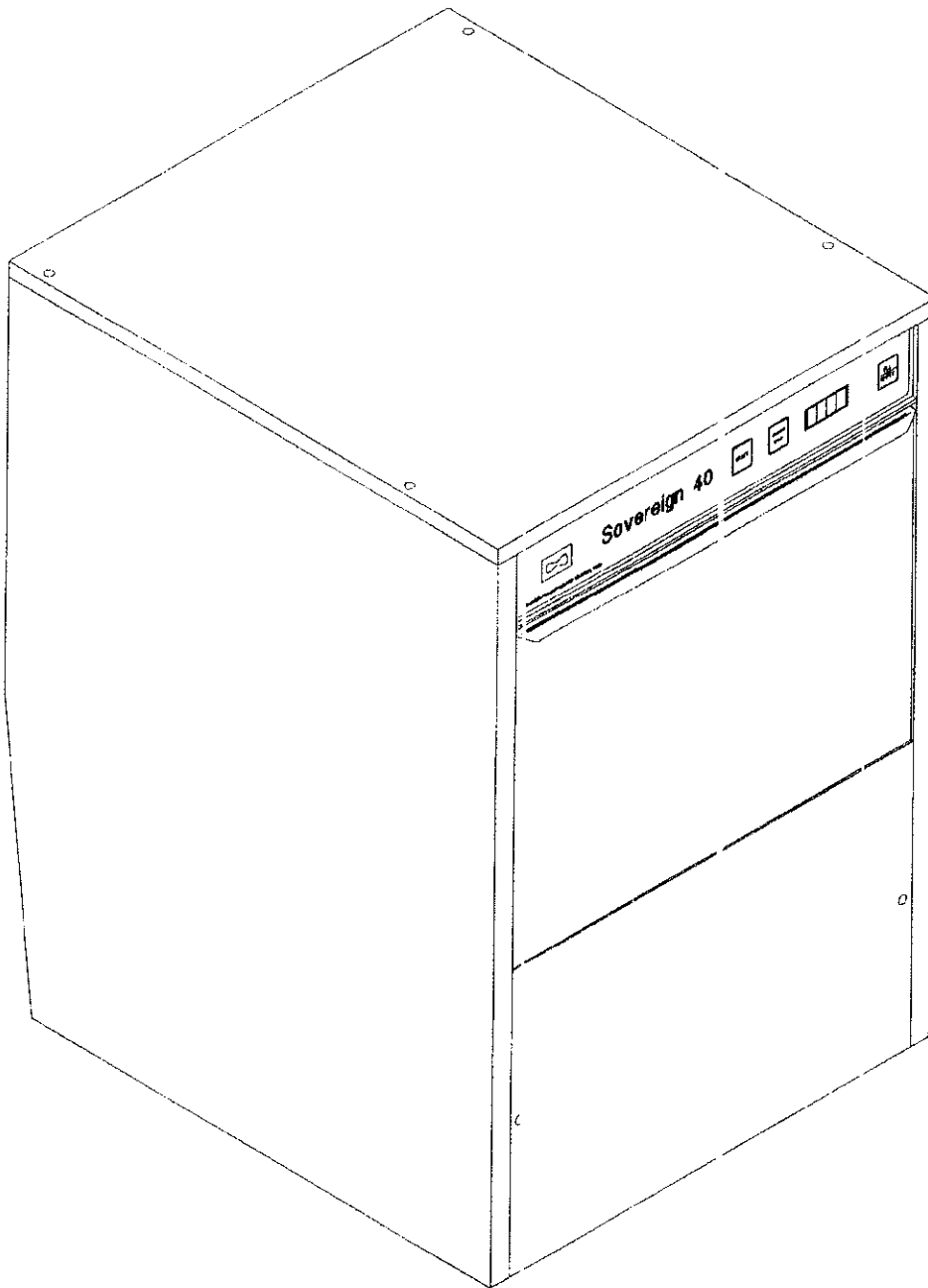


SOVEREIGN 40 Mk1 SPARES MANUAL (A43/108:2-c)

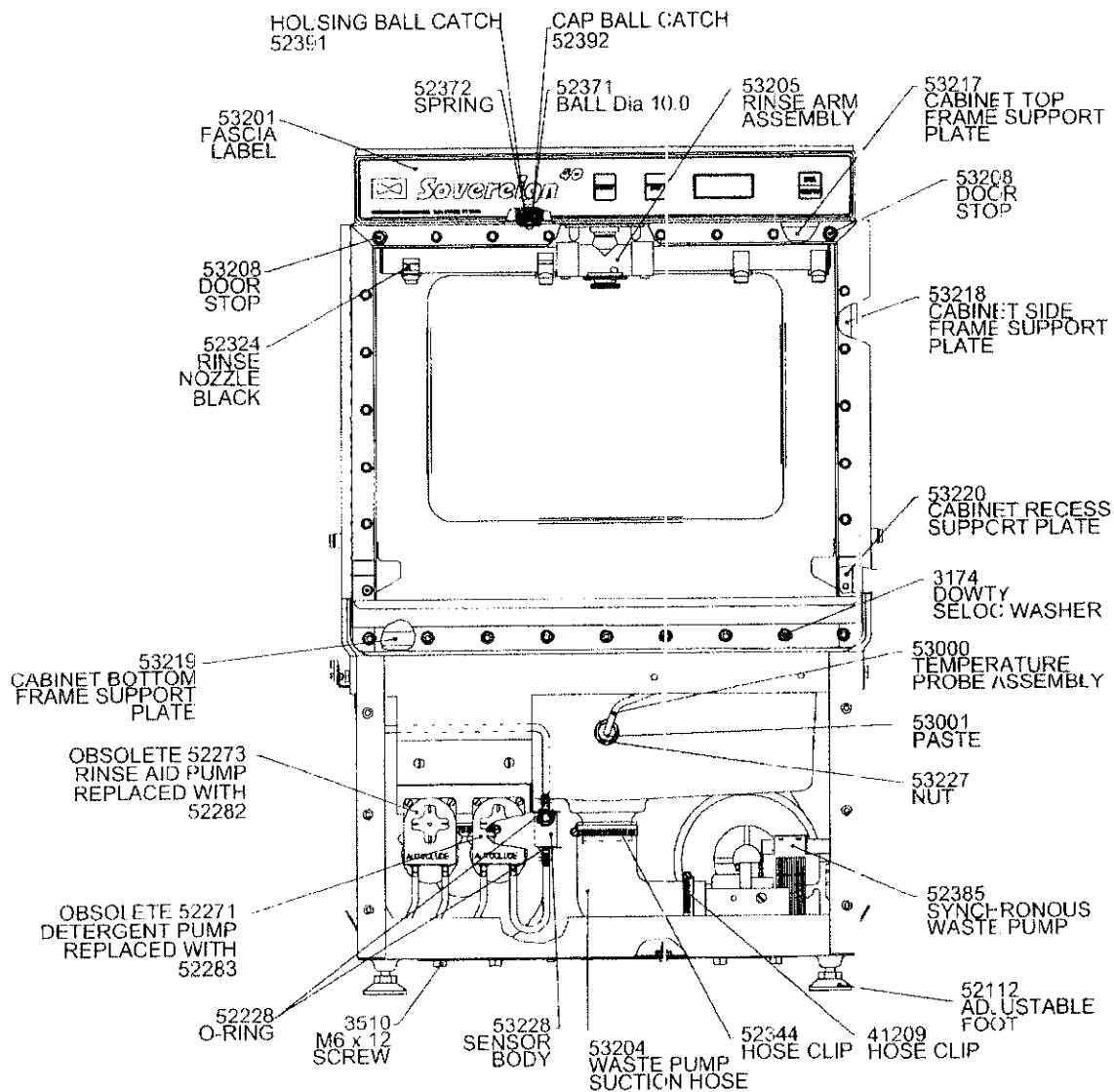
SPARES No. 5058



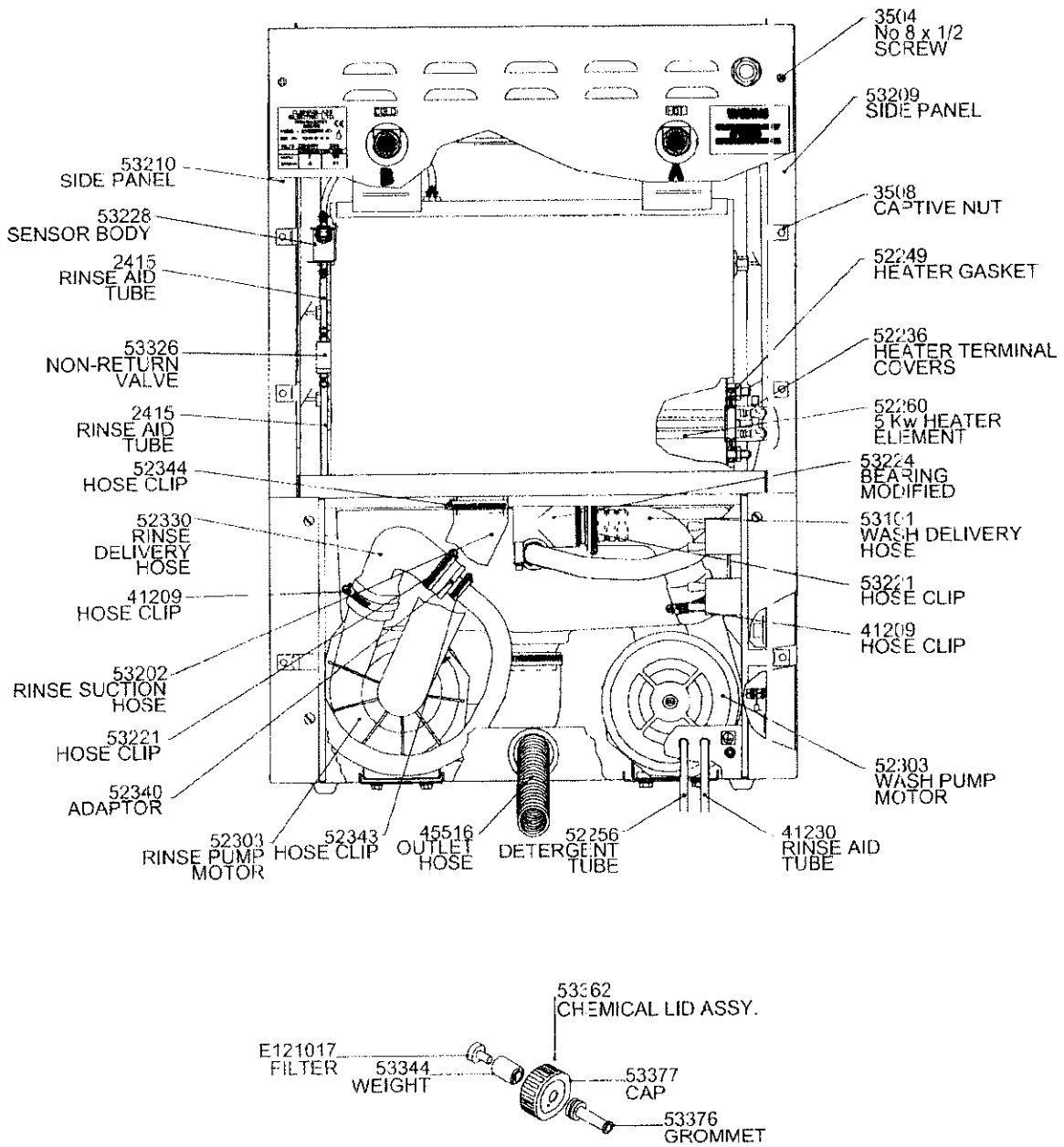
SERIAL No's 430000 TO 430999

SOVEREIGN 40 Mk1 SPARES MANUAL (A43/1082-c)

SPARES No. 5C58

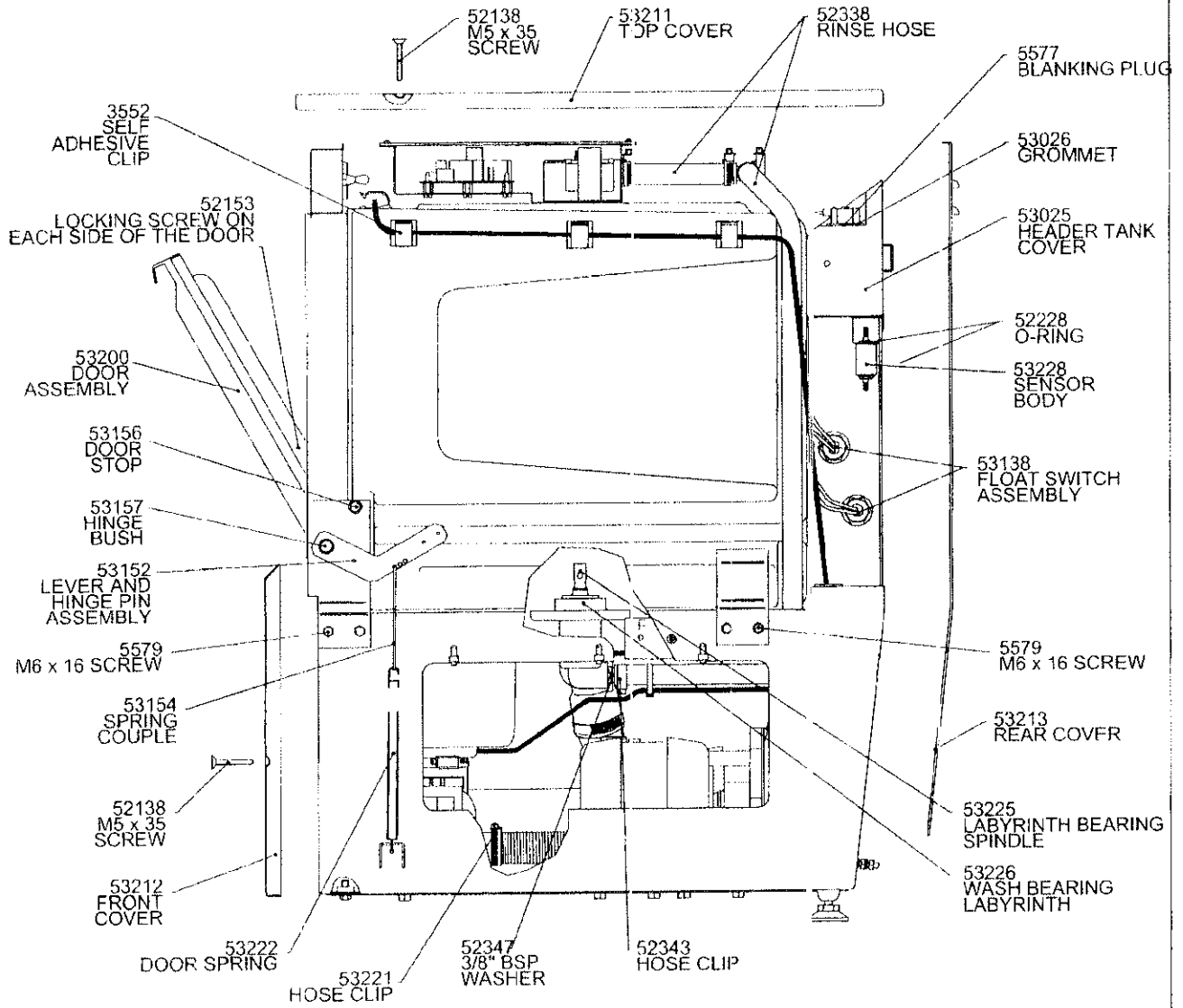


REAR VIEW
SPARES No. 5058



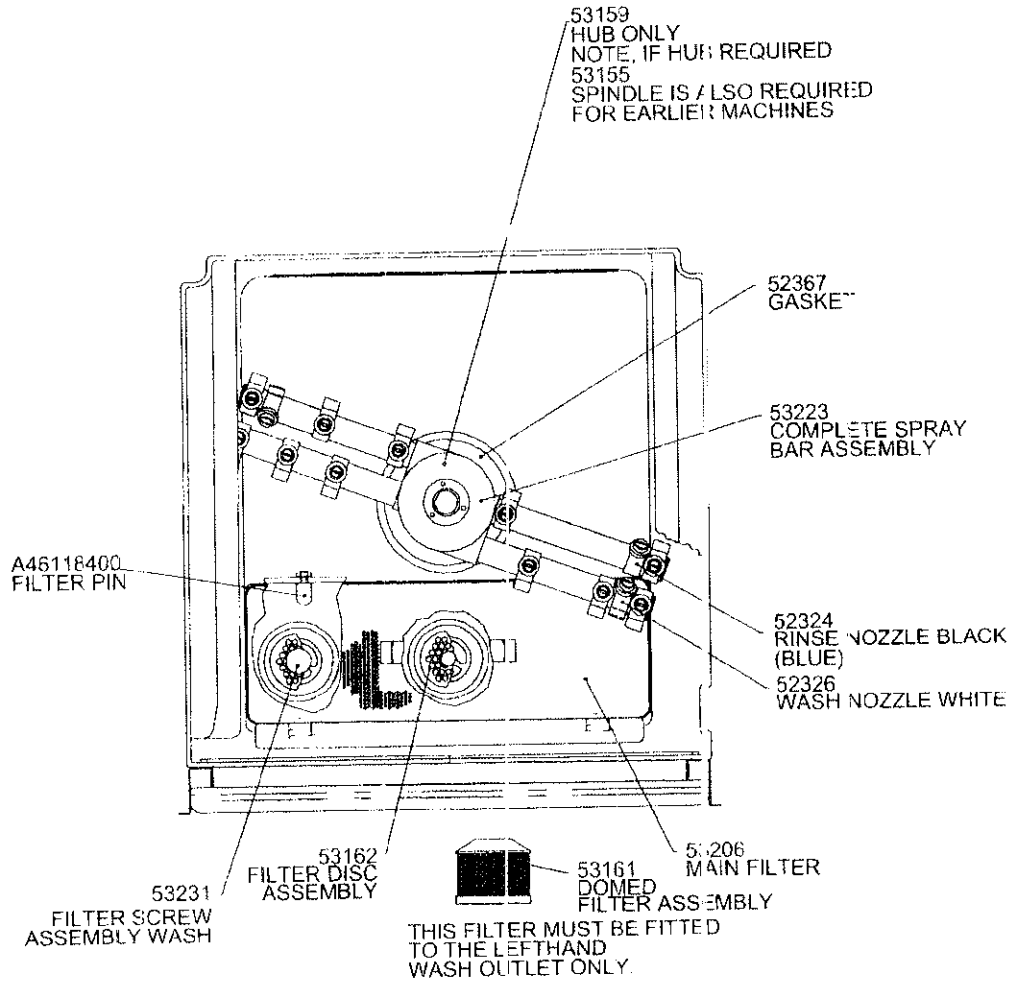
RIGHT HAND SIDE VIEW

SPARES No. 5058



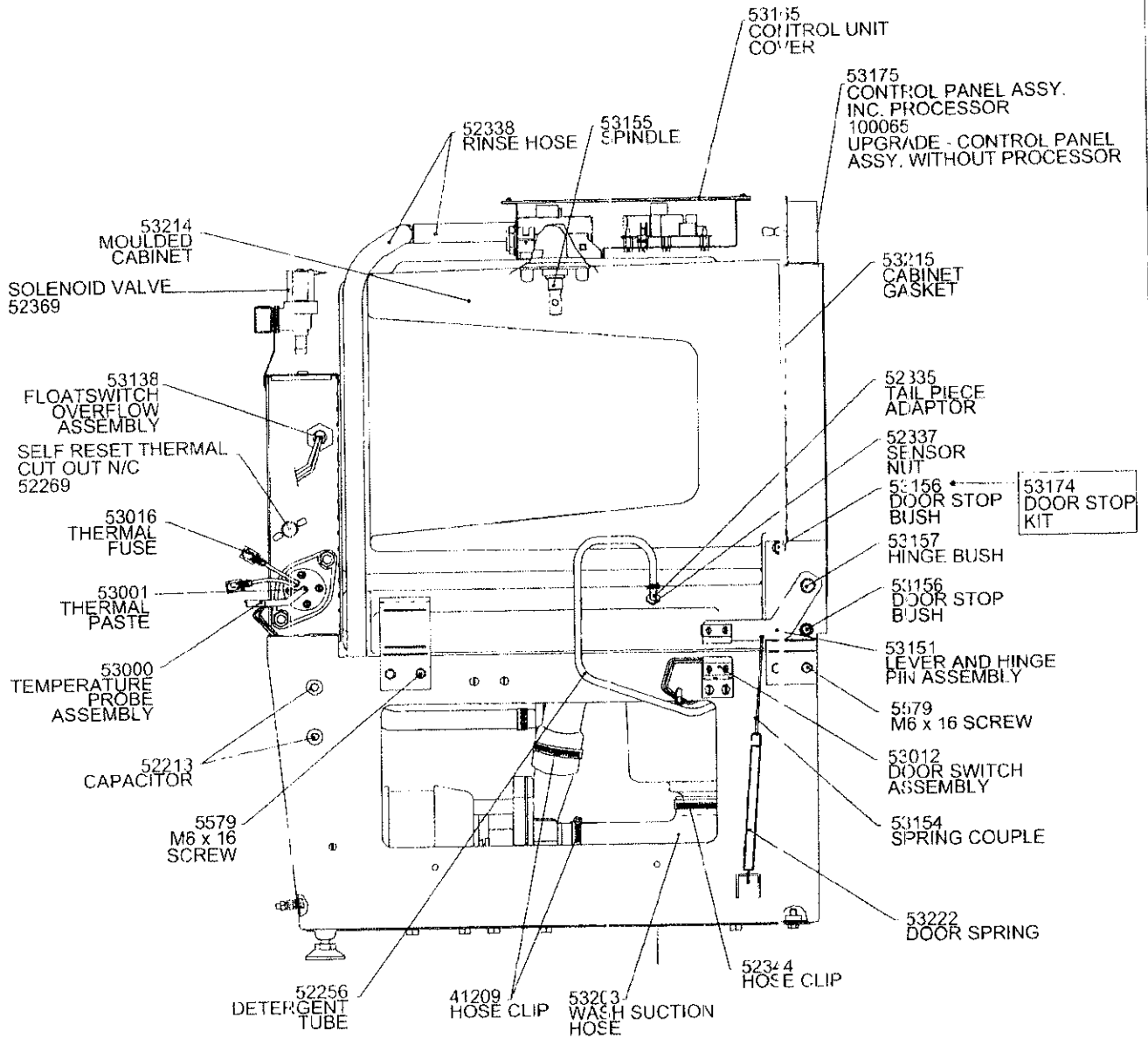
WASH TANK

SPARES No. 5058



LEFT HAND SIDE VIEW

SPARES No. 5058



TOP VIEW
SPARES No. 5058

