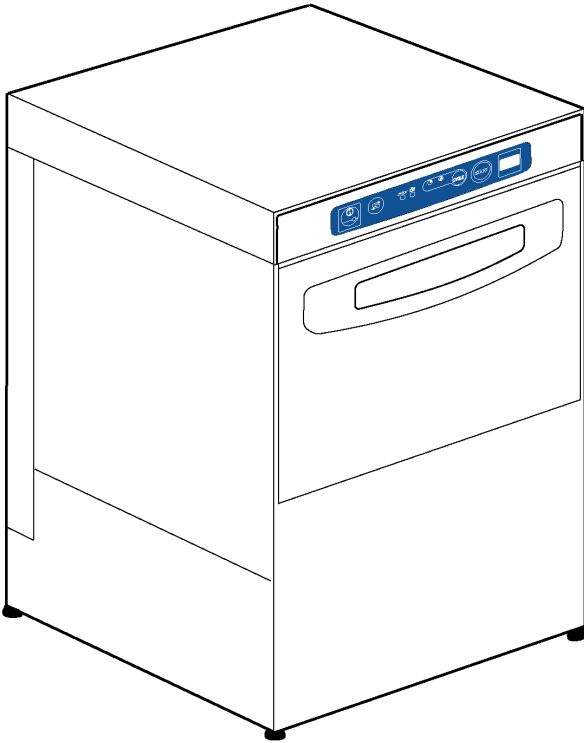


## Spare Parts Catalogue SG 5 EC

- 1 - Hood
- 2 - Door Components
- 3 - Control Box
- 4 - Rinse Assembly
- 5 - Tank
- 6 - Pump
- 7 - Arm
- 8 - Rinse Aid Injector
- 9 - Drain Pump
- 10 - Detergent Pump

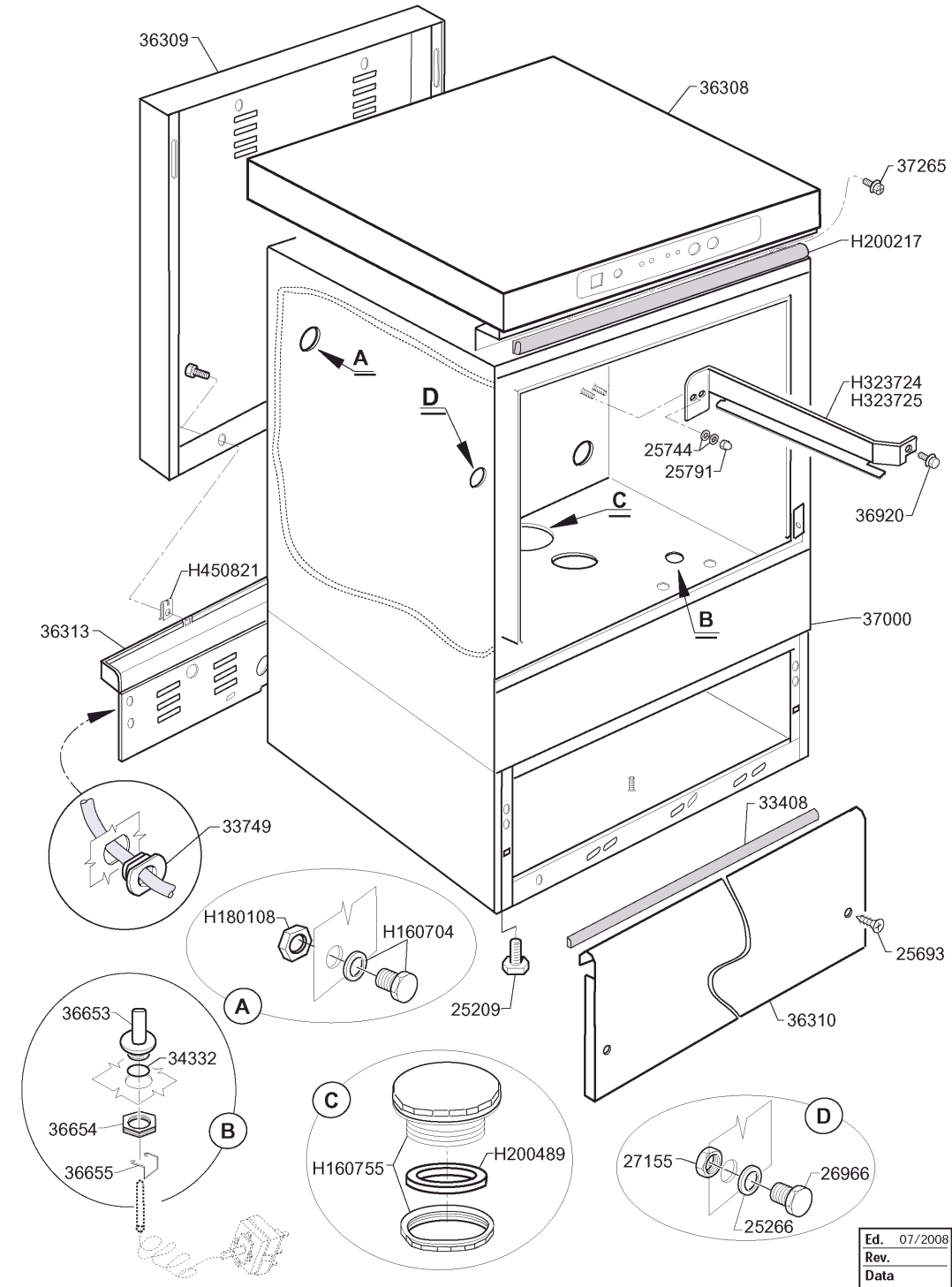
**SPARE PARTS**



**SG 5 EC PS/PD**  
**SD 5 EC PS/PD**

Ed. 07/2008

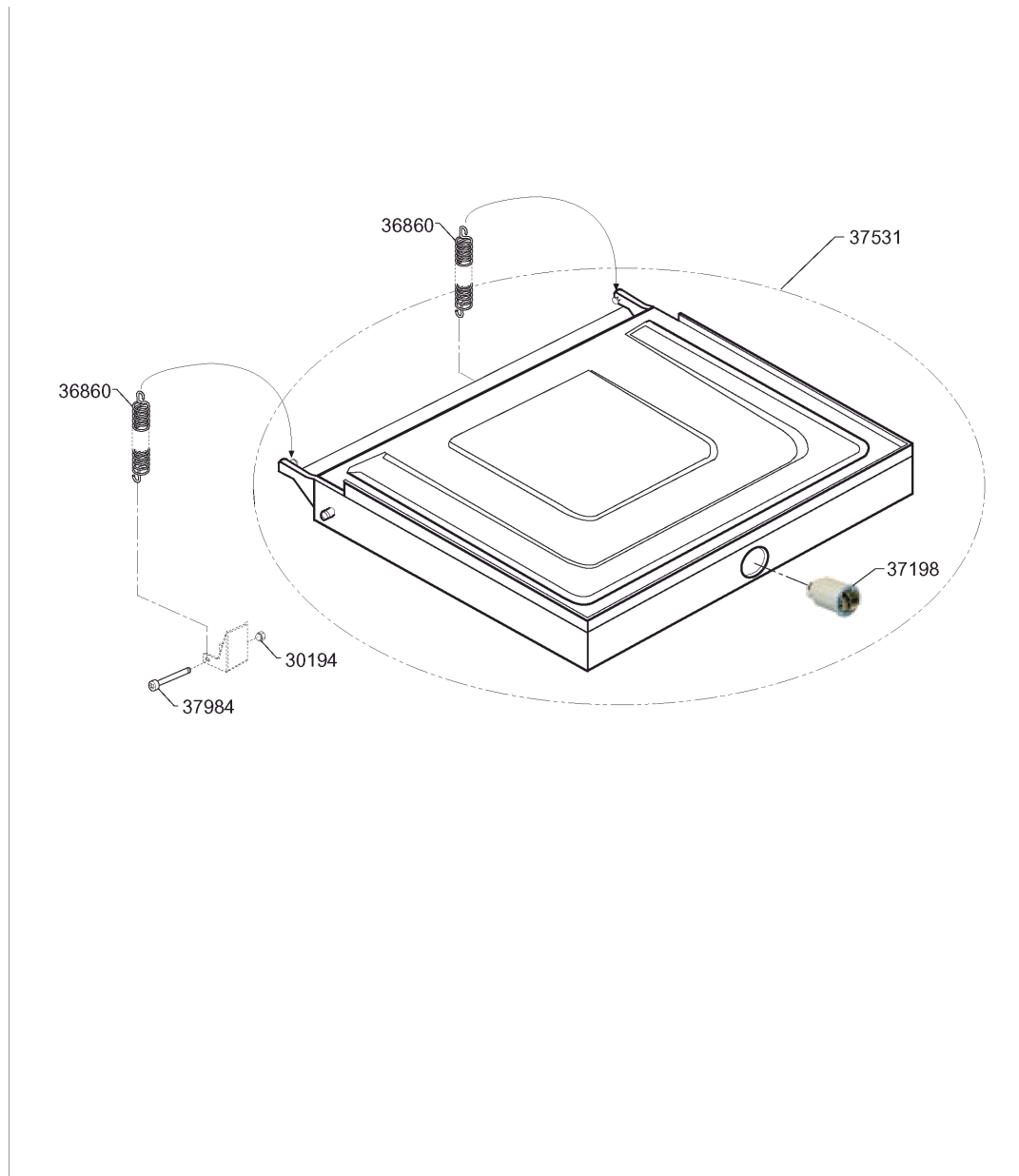
## 2 - Hood



## 2 - Hood

POSITION	CODE	DESCRIPTION
0000	25209	FEET, HEXAG. BASE
0000	25266	FLAT GASKET 18 X 10 X 2
0000	25693	SELF-TAPPING SCREW BEVEL H. 4,2X13
0000	25744	SPACER, FLAT, DIAM.5
0000	25791	SELF-LOCKING NUT 5 MA LOWER SIDE
0000	26966	HOLE CLOSING PLUG
0000	27155	PLASTIC NUT10 M
0000	33408	NEOPREN ADHESIVE GASKET 8 X 4
0000	33749	CABLE CLAMP PA 277
0000	34332	GASKET OR 128 SUPP.PLUG
0000	36308	PANEL UPPER C 60 E
0000	36309	PANEL REAR C 60 E
0000	36310	FRONT GUARD, TANK C 60 E
0000	36313	PANEL REAR BASE C 60 E
0000	36653	STAINL.ST.SHIELD FOR THERMOSTAT H=5
0000	36654	NUT X STAINL.ST.SHIELD X THERM. 1/2
0000	36655	STAINL.ST.SHIELD X THERM. SPRING
0000	36920	SCREW HEX.HD M 5 X 10 A2 ZIG.
0000	37000	BODY, CPL C6/C60E +D
0000	37265	VITE TC CROCE M4X12 FLANGIATA
0000	H160704	BLACK PLUG WITH GASKET 1/2"GAKT20
0000	H160755	CATCH PLUG 180127
0000	H180108	NUT 1/2" GAS
0000	H200217	GASKET FOR DOOR C60E 2006
0000	H200489	GASKET 86X72X2 NEOPRENE
0000	H323724	DRUM RIGHT GUIDE C60 E / 2006
0000	H323725	DRUM LEFT GUIDE C60 E / 2006
0000	H450821	SPRING CLIP FASTENER LSNU 2569"5MA"

### 3 - Door Components

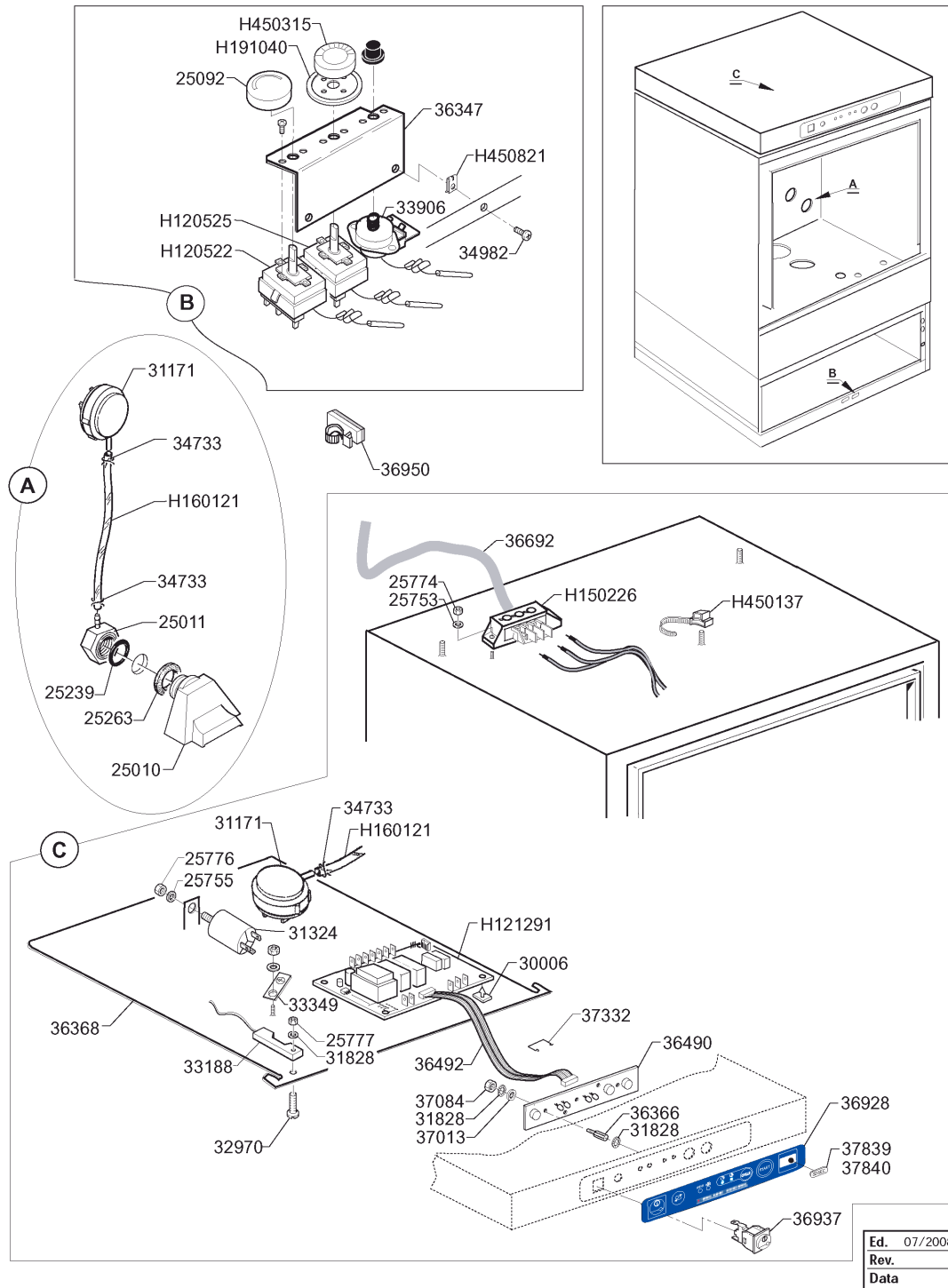


Ed.	07/2008
Rev.	
Data	

### 3 - Door Components

POSITION	CODE	DESCRIPTION
0000	30194	SELF-LOCKING NUT 4 MA
0000	36860	MOLLA PORTA L=68 DE=13,2 D=1,5
0000	37198	ROLLER DOOR LATCH 2006
0000	37531	DOOR CPL C60E/2006 L589XH460
0000	37984	SCREW HEX.HD M4X28 P.F.6

## 4 - Control Box



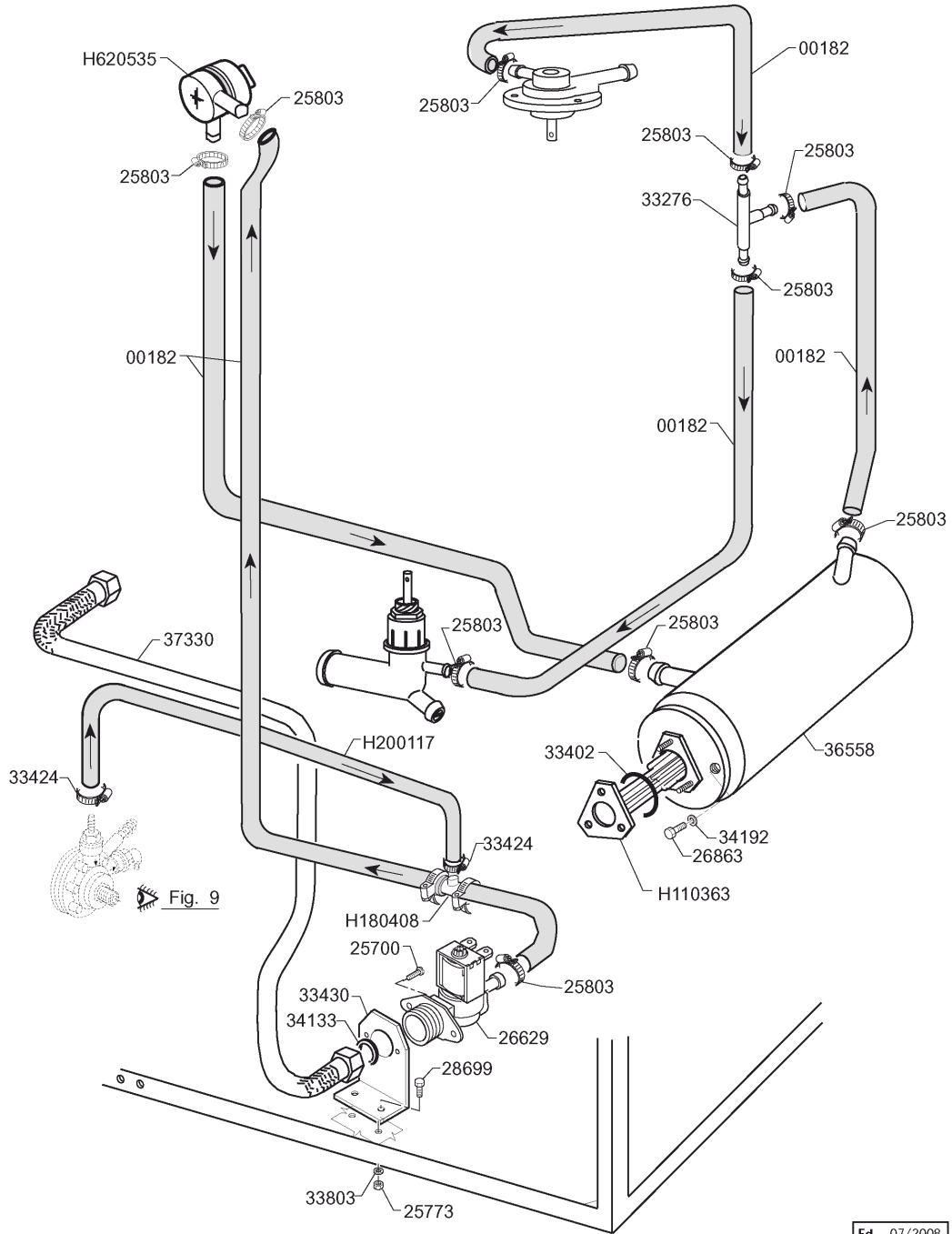
Ed.	07/2008
Rev.	
Data	

#### 4 - Control Box

POSITION	CODE	DESCRIPTION
0000	25010	AIR TRAP
0000	25011	COVER X AIR TRAP
0000	25092	HANDLE, BLACK WHITE INDEX
0000	25239	GASKET OR PB 701 3112 X AIR TRAP
0000	25263	FLAT GASKET 38 X 25 X 2 A.TRAP
0000	25753	TOOTHED SPACER.DIAM.5 D.E.
0000	25755	TOOTHED SPACER DIAM.8
0000	25774	NUTS 5 MA
0000	25776	NUTS 8 MA SS 18/8
0000	25777	NUTS 3 MA
0000	30006	SPACER FOR PRINTED CIRC. HOLDER
0000	31171	PRESSURE SWITCH, RATED 28/12+-3
0000	31324	NOISE FILTER, TYPE 5001
0000	31828	DENTED ROUND SPACER, EX ? 3
0000	32970	BEVEL, CROSS-SLOT HD. SCREW TS 3 X
0000	33188	MAGNETIC SENSOR
0000	33349	INDICAT.PLATE, EARTHING
0000	33906	THERMOSTAT DOUB.POLE 105° RANCO LM8
0000	34733	WIRE PIPE CLAMP FOR 9,8-10,1 PIPE
0000	34982	SCREW M5X12, HALF-ROUND HD. COMBI
0000	36347	HOLDER TRHEE THERMOSTATS
0000	36366	SPACER FOR KEYBOARD CUTOFF SNAP H10
0000	36368	ELECTRIC PLANT SUPPORT C E
0000	36490	C HORIZ. CONTR. KEYBOARD
0000	36492	500 MM. 10 POLI CONNECTION CABLE
0000	36692	SUPPLY CABLE 3GX1,5 H07RN-F
0000	36928	CONTROL BOARD SG-SD E BLUE S.
0000	36937	SWITCH CM DEV.DARKBLUE
0000	36950	SUPPORTO A CLIP ADESIVO DIA.10
0000	37013	RONDELLA PIANA M3 NWE34815-M3
0000	37084	DADO NYLON M3 NNE34814M3
0000	37332	MOLLA X BLOCCAGGIO SCHEDA EL.
0000	37839	STICKING NAMEPLATE, PANEL SG 5 EC
0000	37840	STICKING NAMEPLATE, PANEL SD 5 EC
0000	H120522	THERMOSTAT 90°C BULBO 45 TR2
0000	H120525	2-TEMPER. THERMOSTAT TRZ
0000	H121291	PRINT.CIRC.BOARD 922079/01
0000	H150226	TERMINAL BLOCK 3 POSIT
0000	H160121	HOSE, BLACK RUBBER D. 5 X 9
0000	H191040	THERMOSTAT KNOB SHIELD
0000	H450137	COLLAR COUPLING WITH BASE 31900
0000	H450315	KNOB F. THERMOSTAT 90°
0000	H450821	SPRING CLIP FASTENER LSNU 2569"5MA"



## 5 - Rinse Assembly

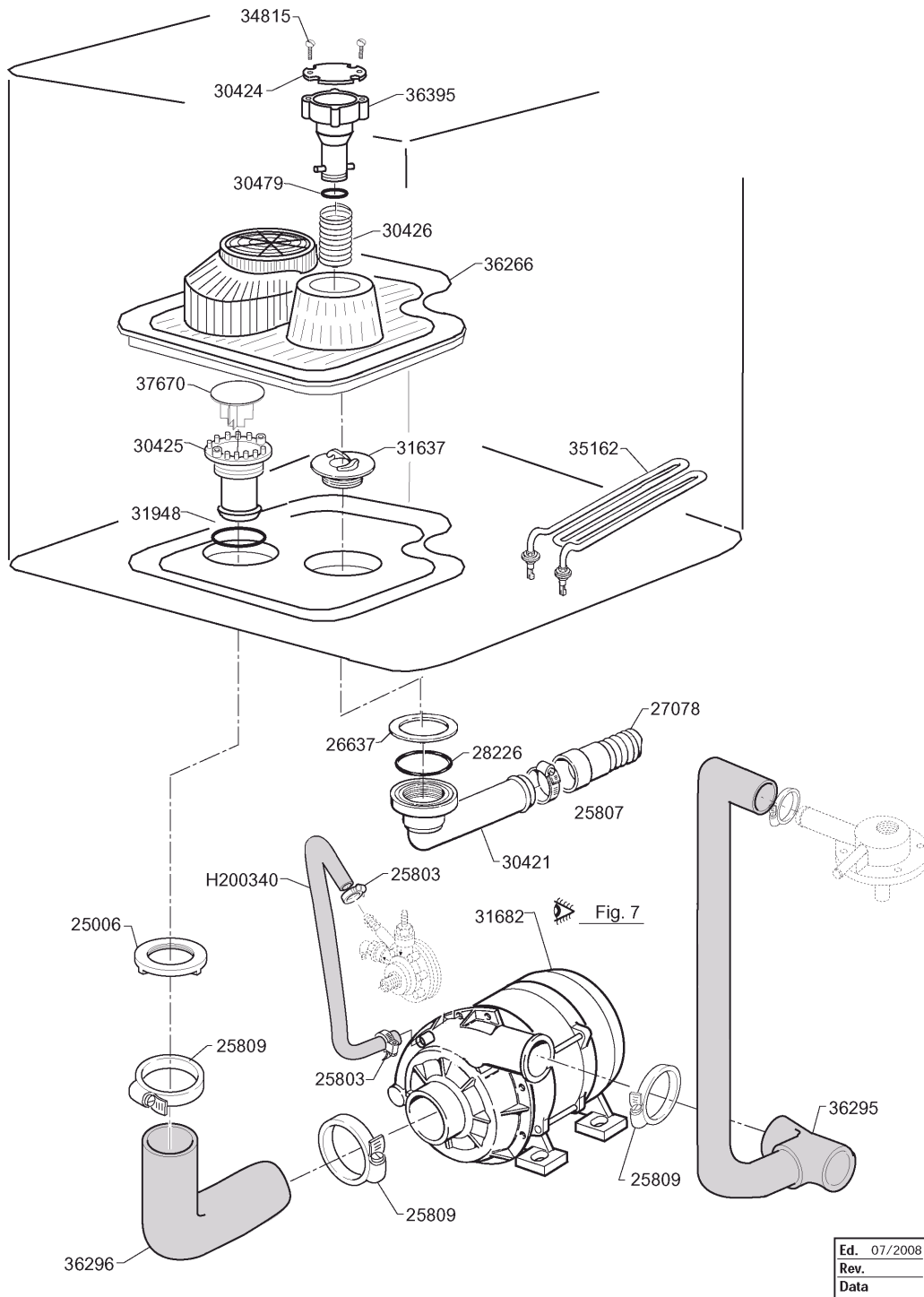


Ed.	07/2008
Rev.	
Data	

## 5 - Rinse Assembly

POSITION	CODE	DESCRIPTION
0000	00182	HOSE 11X19 CASER/15"BLUE"
0000	25700	SCREW CHEESE-H. 4 X 8 KNURLED
0000	25773	NUTS 4 MA SS 18/8
0000	25803	HOSE CLIP 13-20 ABA
0000	26629	SOLENOID VALVE, SING.3/4" T/N
0000	26863	HEX HD SCREW 6 X 8 STAINLESS S.
0000	28699	CHEESE-HD SCREW TC 4 X 10
0000	33276	T-SHAPED CONNECTOR ?11,5-PART180413
0000	33402	GASKET OR 6X56X68
0000	33424	FE-ZN CLAMP 11-17 H=9
0000	33430	STANDARD SQ.BRACKET
0000	33803	SPACE WASHER, GROWER DIAM.4
0000	34133	CONTROL QTY 14 LT.
0000	34192	SEAL WASHER
0000	36558	BOILER CPL C 53 60 E
0000	37330	TUBO CARICO 10BAR-70°-3/4"G
0000	H110363	RESISTOR, FL. 57 3000W 230V
0000	H180408	T-SH. NIPPLE, DISPENSER(FORMER 3342
0000	H200117	RUBBER HOSE 8X16, INDUSTR,10
0000	H620535	ANTI-VACUUM VALVE "B-F-C"

# 6 - Tank

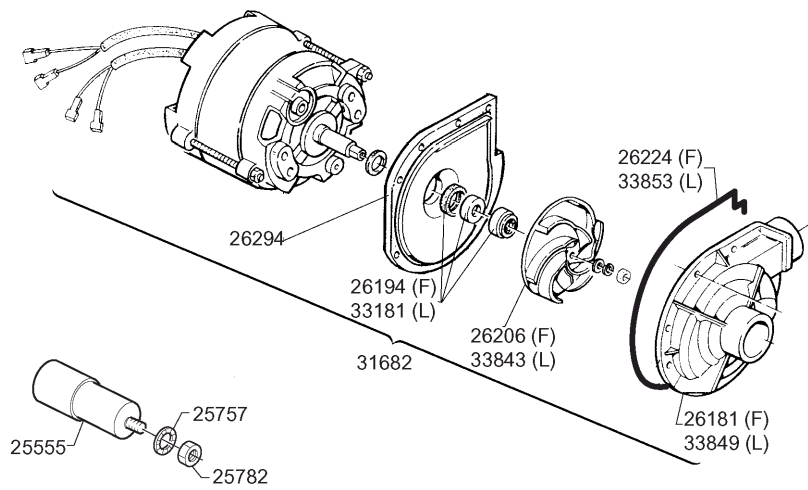


Ed.	07/2008
Rev.	
Data	

## 6 - Tank

POSITION	CODE	DESCRIPTION
0000	25006	NUT FO DRAIN SUCT. P.
0000	25803	HOSE CLIP 13-20 ABA
0000	25807	HOSE CLIP 26-38 ABA
0000	25809	HOSE CLIP 40-64CLAM
0000	26637	FLAT GASKET 55 X 42 X 2
0000	27078	DRAIN HOSE, DIA.24X1500
0000	28226	GASKET OR 3181 FOR DRAIN LUG
0000	30421	DRAIN FITTING, LONG
0000	30424	COVER FOR OVERFLOW TUBE
0000	30425	SUCTION PIPE UNION
0000	30426	SPRING FOR OVERFLOW TUBE
0000	30479	GASKET OR 4081
0000	31637	CROSSLESS HOOK SLEEVE
0000	31682	CENTRIF WASH PUMP, 0,75 HP
0000	31948	GASKET OR
0000	34815	CROSS-SL.HD SELF-TAP.SCREW3,9 X 13
0000	35162	HEAT.EL. V. 2000 W-230V RAC.SS
0000	36266	TANK FILTER CPL C 53-60 E
0000	36295	DELIV.SLEEVE C 53/60 E
0000	36296	SUCTION SLEEVE C 53/60 E
0000	36395	OVERFLOW TUBE PREASS.C53/60 E H=12
0000	37670	ANTIVORTEX DISC SUCTION PUMP
0000	H200340	SALT CONTAINER HOSE B25-7-12

## 7 - Pump

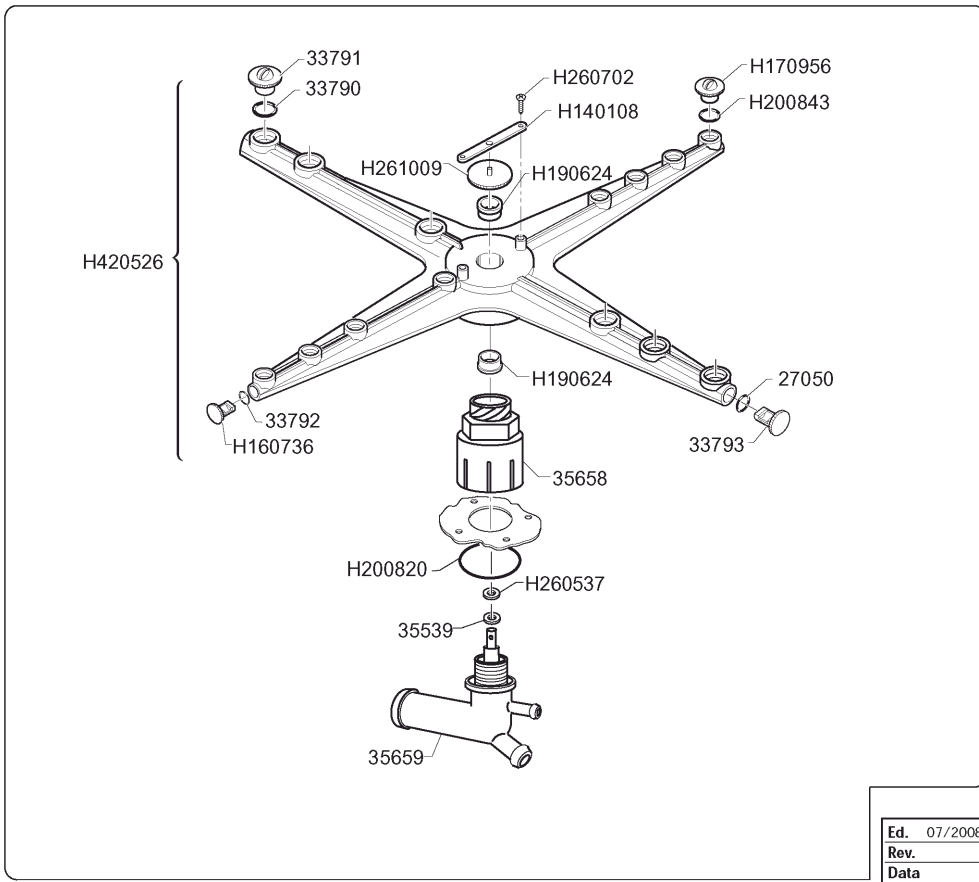
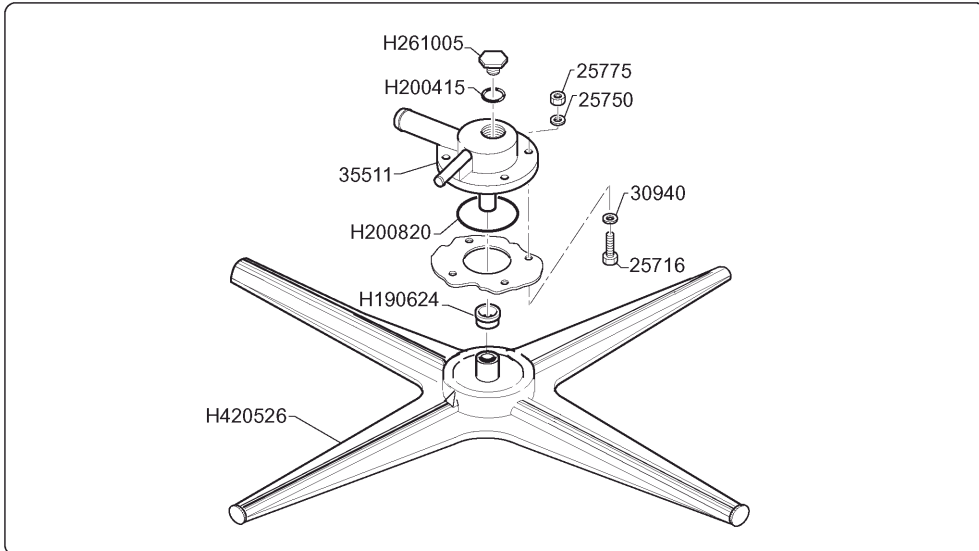


Ed.	07/2008
Rev.	
Data	

## 7 - Pump

POSITION	CODE	DESCRIPTION
0000	25555	CAPACITOR UF 12,5-450 V
0000	25757	TOOTHED SPACER DIAM. 12 D.E.D787
0000	25782	NUT 8 MA
0000	26181	COVER WASH PUMP HP 0,5-0,75
0000	26194	SHAFT SEAL WASH P.HP0,25-0,5-0,75
0000	26206	IMPELLER WASH P.HP0,75 OPENED
0000	26224	GASKET, PUMP HOUSING
0000	26294	FLANGE WASH P.HP 0,5-0.75
0000	31682	CENTRIF WASH PUMP, 0,75 HP
0000	33181	SHAFT SEAL C3 (LGB)FOR PUMP CODE 32
0000	33843	IMPELLER DIAM.94, 6-BLADE, M8 LEFT
0000	33849	PUMP HOUS.ZF340 LEFT A45/M40 HOSE F
0000	33853	GASKET OR.SHAPED LARGE

# 8 - Arm



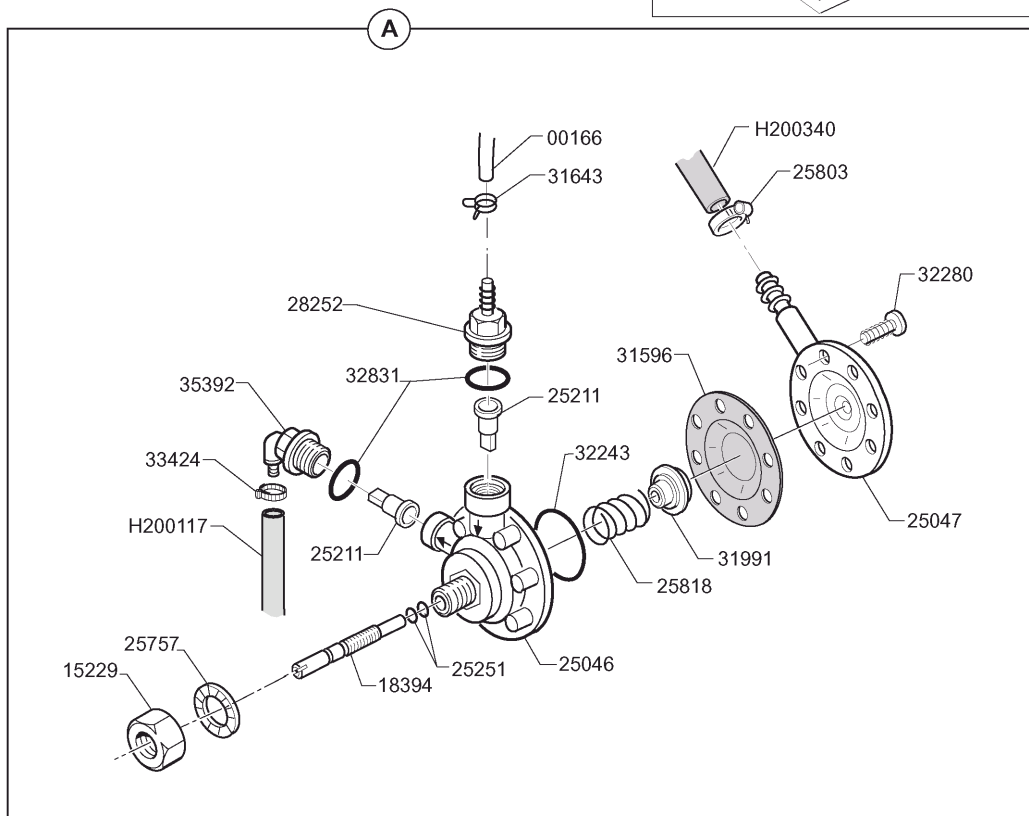
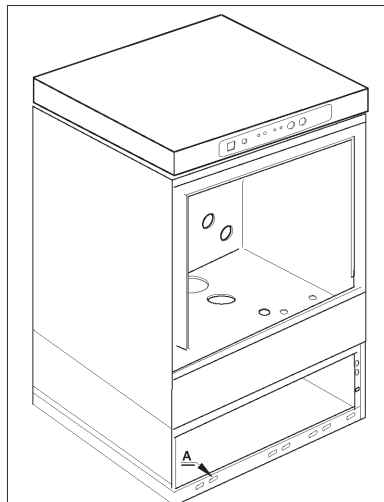
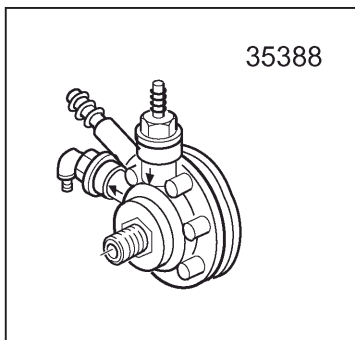
Ed.	07/2008
Rev.	
Data	

## 8 - Arm

POSITION	CODE	DESCRIPTION
0000	25716	SCREW HEX.HD M 6 X 20 SS
0000	25750	SPACER, SPLITTED, DIAM. 6
0000	25775	NUT 6 MA
0000	27050	GASKET OR 2068
0000	30940	FLAT SPACER, BLACK, DIA. 6
0000	33790	GASKET OR 2X9,5X13,5 F.S.
0000	33791	RINSE JET, ROT.ARM
0000	33792	GASKET OR 2,62X9,13X14,37
0000	33793	PLUG, RINSE ARM
0000	35511	LUG,D.44,2, UPPER REV.ARM STS 60
0000	35539	SPACER RING H=12 X (35659)
0000	35658	LOWER COLUMN C6
0000	35659	HOLDER, LOWER REV.ARM C6
0000	H140108	PLATE F.CLAMP SCREW/WASH-RINSE ARM
0000	H160736	PLUG, REVOLV. WASHARM
0000	H170956	WASH NOZZLE "B"
0000	H190624	BUSH FOR PLASTIC REV.ARM F45
0000	H200415	AIR TRAP GASKET -F2 18,5X10X3
0000	H200820	OR GASKET 5,33X46,99X57,6
0000	H200843	OR GASKET 2X13X17 END OF SERIES
0000	H260537	S.S. FLAT WASHER D13X20X0, 8-6592
0000	H260702	SELF-TAPPING SCREW 4,2X9,5 DIN7981
0000	H261005	SCREW FOR LUG PL.C75-F-FC
0000	H261009	RETAIN.SCREW FOR WASH-RINSE ARM
0000	H420526	PLASTIC WASH-RINSE ARM ."LF/LP/F45"



## 9 - Rinse Aid Injector

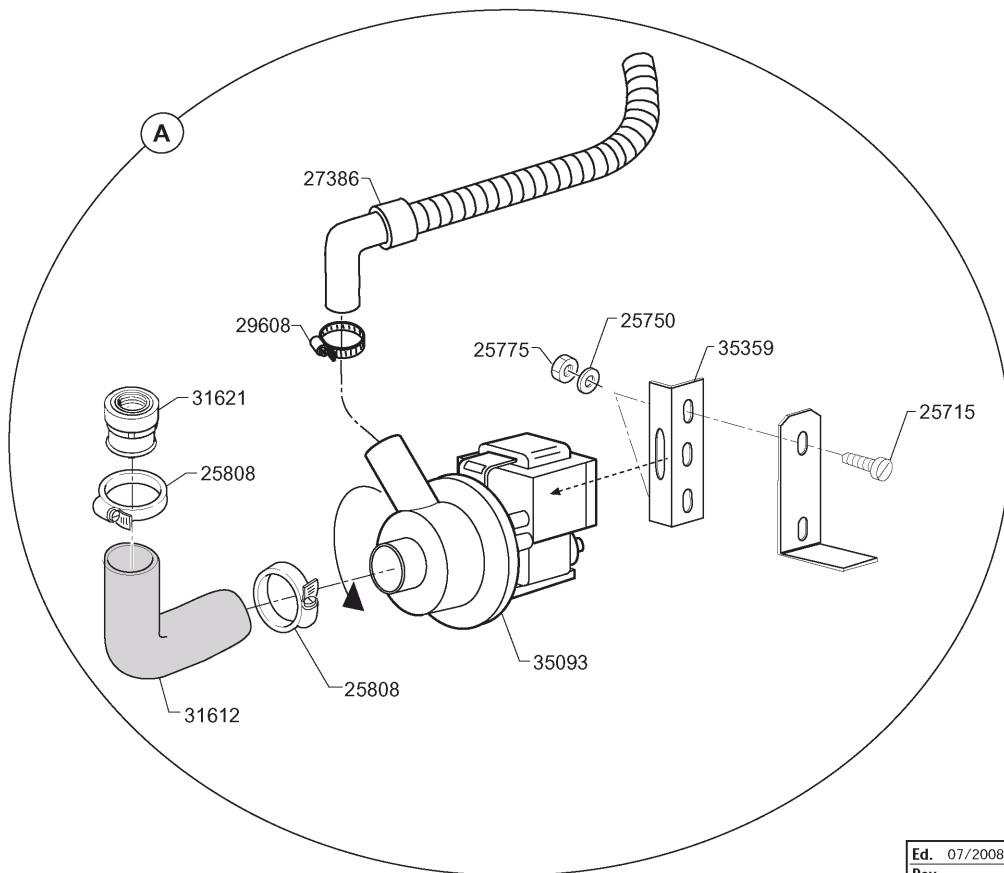
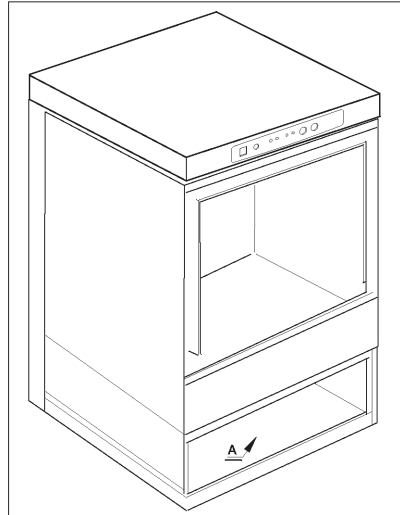


Ed.	09/2005
Rev.	
Data	

### 9 - Rinse Aid Injector

POSITION	CODE	DESCRIPTION
0000	00166	ROLL TUBE TRANSP. 4X7
0000	15229	LOCK NUT AID DISPENSER
0000	18394	SCREW CONTROL DISPENSER
0000	25046	UPPER DISPENSER ASSEMBLY
0000	25047	LOWER DISPENSER ASSEMBLY
0000	25211	NON RETURN VALVE RINSE AID DISP.
0000	25251	GASKET OR 2012
0000	25757	TOOTHED SPACER DIAM. 12 D.E.D787
0000	25803	HOSE CLIP 13-20 ABA
0000	25818	CYLINDER SPRING (WIRE)
0000	28252	FITTING SUCTION DISPENSER
0000	31596	DIAPHRAGM, DISPENSER
0000	31643	HOSE CLIP 7,3-7,8
0000	31991	SPRING GUIDE FOR DISPENSER
0000	32243	GASKET OR 3156
0000	32280	OVAL HD. CROSS-SL. SCREW 4 X 13
0000	32831	GASKET OR 2062
0000	33424	FE-ZN CLAMP 11-17 H=9
0000	35388	RINSE AID DISP."YELLOW" C/STS
0000	35392	90° VALVE FITTING, RINSE AID H/C
0000	H200117	RUBBER HOSE 8X16, INDUSTR,10
0000	H200340	SALT CONTAINER HOSE B25-7-12

# 10 - Drain Pump

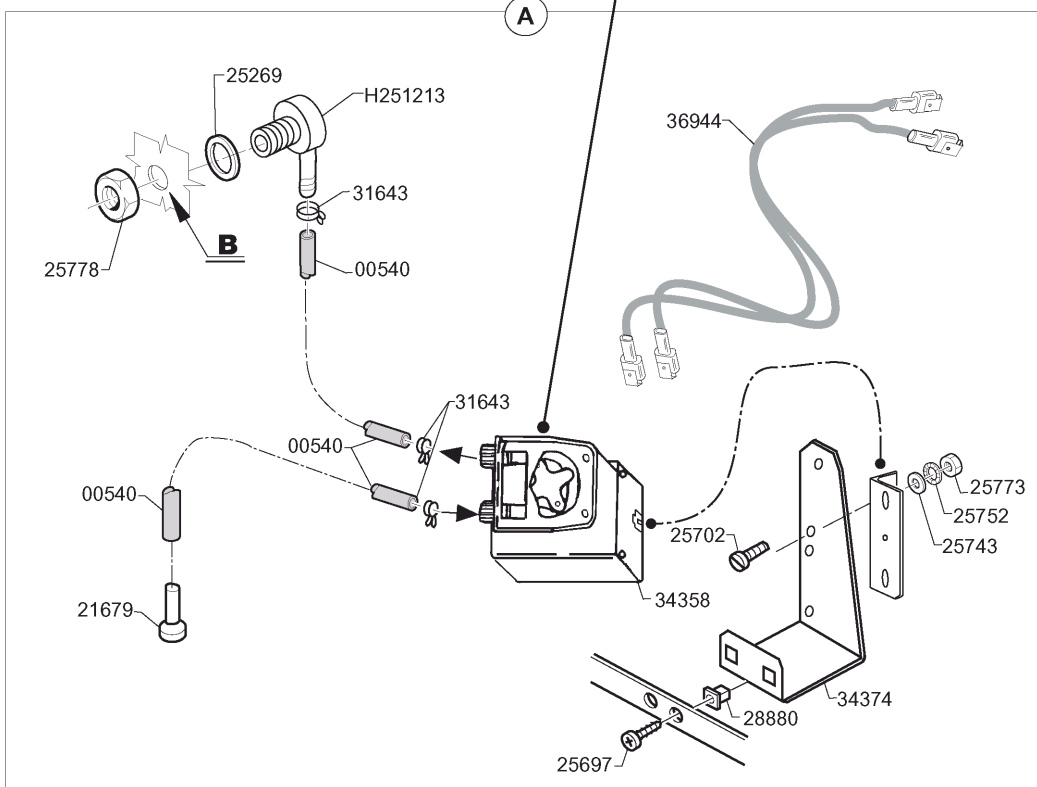
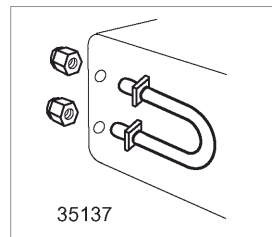
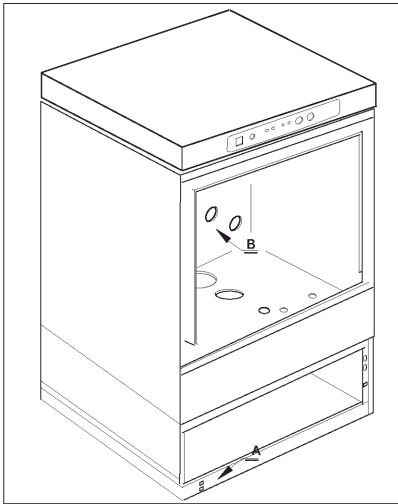


Ed.	07/2008
Rev.	
Data	

## 10 - Drain Pump

POSITION	CODE	DESCRIPTION
0000	25715	SCREW HEX.HD M 6 X 16 SS
0000	25750	SPACER, SPLITTED, DIAM. 6
0000	25775	NUT 6 MA
0000	25808	HOSE CLIP 27-51CLAM
0000	27386	DRAIN HOSE DIA.18,5X1500
0000	29608	HOSE CLIP 17-32CLAM
0000	31612	ELBOW DRAIN SLEEVE
0000	31621	FITTING, DRAIN PUMP
0000	35093	DRAIN PUMP HANNING TYPE DPS 25
0000	35359	HOLDER. HANNING DRAIN.P. C/STS60

# 11 - Detergent Pump



Ed.	07/2008
Rev.	
Data	

## 11 - Detergent Pump

POSITION	CODE	DESCRIPTION
0000	00540	RED TUBE 8X4 ROLL
0000	21679	FILTER DET.-RINSE AID PREASS.
0000	25269	FLAT GASKET
0000	25697	SELF-TAPPING SCREW CHEESE D747H.ROS
0000	25702	SCREW CHEESE-H. KNURLED 4X14
0000	25743	SPACER, FLAT, DIAM. 4
0000	25752	TOOTHED SPACER DIAM.4 D.E.
0000	25773	NUTS 4 MA SS 18/8
0000	25778	NUTS 12 M 18/8 SS
0000	28880	NUT SCREW
0000	31643	HOSE CLIP 7,3-7,8
0000	34358	DETERGENT PUMP PERISTALSISTIC
0000	34374	FIXING BRACKET, DETERG.PUMP
0000	35137	PUMP HOSE DET.SEKO PG3
0000	36944	CONN. WIRES, DETERGENT PUMP C E
0000	H251213	DETERG. PUMP FITTING