

LS\_08\_Elux-Zopf\_631801.ppt6

№. 631801p1

Da Ser. Nr. / From ser. nr.: 545 / ....

Page: 2

Ed. 9901

Doc. Nr.:

**6-31 801**

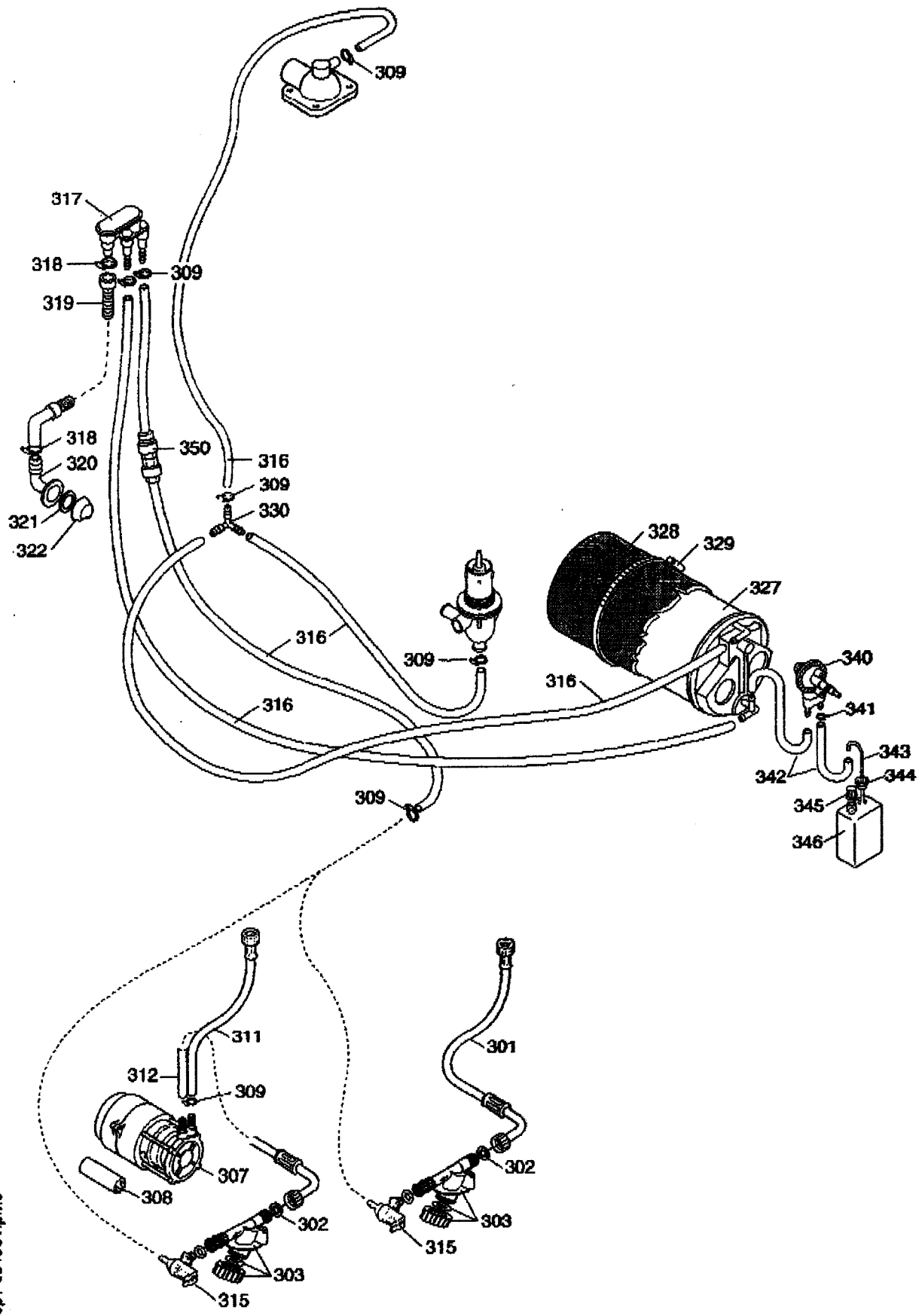
Model: 506023 - WT50J60 - HOOD TYPE DISHWASHER 810 P/H  
 List of Spare Parts Table: 6-31801 Page 2 - Main view

Pos.	Spare Part	Alias Code	Repl. by	S	Inf	Description	Notas	GBP
0101	048579			S		FOOT		15.25
0102	048660					LEFT SIDE PANEL		54.34
0103	048673					RIGHT SIDE PANEL		56.03
0110	048702				D	FRONT PANEL	a,b,c,d,e,f,g,h,j,l,m,n	63.87
0111	048703					CONTROL PANEL	a,b,c,d,e,f,g,h,j,l,m,n,o,p	39.01
0112	048704					ADHESIVE MEMBRANE	a,b,c,d,e,f,j,l,m,n,o,p	67.32
0120	048363					DOOR	a,b,c,d,e,f,g,h,j,l,m,n,p	14.81
0121	048278					PIN	a,b,c,d,e,f,g,h,j,l,m,n,p	3.89
0122	048279					SPRING	a,b,c,d,e,f,g,h,j,l,m,n,p	4.03
0123	048433					COVERING	a,b,c,d,e,f,g,h,j,l,m,n,p	6.01
0130	048262		049761			BUSH		0.00
0131	048649					LEVER		13.71
0132	048652					PIN		15.11
0133	048653			S		BUSH		17.60
0134	048654			S		SPACER		0.51
0136	048257					LEVER		10.71
0136	048655			S		SPRING; MAISABLE HOOD - WHITE		16.79
0137	075767					SPRING STRETCHER		0.00
0138	048298			S		SAFETY SPRING		1.69
0139	048297			S		PIN		12.83
0145	048710			S		DAMPER		5.13
0146	048635					PIN		7.19
0147	048711					DAMPER		14.67
0150	048662					REAR PANEL	a,c,d,g,h,j,l,m,n,p	39.01
0151	049408					PROTECTION PANEL; REAR	m,n	55.00
0153	048661				D	REAR PANEL; FOR HOOD		59.25
0154	049489				D	LID		300.07
0155	049528					HOOD	a,b,c,d,e,f,g,h,j,l,m,n,o,p	194.62
0156	048709					SPACER		0.51
0157	049527					DRIP SLIDE		1.69
0158	048657			S		SMALL WHEEL		0.66
0159	048656			S		PIN		7.41
0160	048667			S		MAGNET		2.71
0161	048831			S		REED SWITCH; CYLINDRICAL 5 STEP	m,n,o,p	19.51
0172	048706					HANDLE	a,b,c,d,e,f,g,h,j,l,m,n,o,p	81.03
0175	049486					BASKET SUPPORT	a,b,c,d,e,f,g,h,j,l,m,n,o,p	96.06
0180	049502					PLUG; M20X1,5	a,b,c,d,e,f,g,h,j,l,m,n,o,p	14.08
0181	048245					GASKET	a,b,c,d,e,f,g,h,j,l,m,n,o,p	2.27
0182	049436					NUT; M20X1,5	a,b,c,d,e,f,g,h,j,l,m,n,o,p	4.55
0183	046563			S		GASKET; 1PZ=5MT		5.13

Model: 606023 - WT50/J50 - HOOD TYPE DISHWASHER 810 P/H

List of Spare Parts Table: 6-31801 Page 4 - Hydraulic circuit

Pos.	Spare Part	Alias Code	Repl. by	S	Inf	Description	Notes	GBP
0301	048816			S	CF	HOSE	a,c,d,f,g,h,j,l,m,n,q	9.53
0302	049201			S		GASKET; DIA 3/4"		1.03
0303	048746			S		WATER FILTER; 3/4" M-F		12.69
0307	048910			S		RINSE PUMP; 220-240V 1P 50HZ	b,e,m,n	168.66
0308	049126			S		CAPACITOR; 8MF		11.88
0309	048126			S		CLIP; 13-20		0.81
0312	048911					HOSE	b,e,m,n	7.48
0315	049157					SOLENOID VALVE; ES90 200V, 5 STEP	m,n	12.91
0316	048531			S		RUBBER HOSE; BY METER		8.29
0317	048191			S		NONRETURN VALVE; DVGW		15.11
0318	047578			S		HOSE CLAMP		1.17
0319	048249					HOSE		0.00
0320	048193					PIPE UNION		11.00
0321	065506			S		GASKET		0.59
0322	048192					FLANGE		2.93
0327	048484			S		BOILER; 2 ELEMENT	a,b,c,g,j,m,n	155.02
0328	048447			S		INSULATION		18.70
0329	048222			S		HOSE STRAP		5.94
0330	048195			S		CONNECTION		6.60
0340	049484			S		HYDRAULIC RINSE AID DISPENSER		91.45
0341	046946			S		HOSE CLAMP		1.54
0342	048883			S		RUBBER HOSE; 5X12, 1PC=2300MM		10.93
0343	048469					TUBE		2.88
0344	048434					CONNECTION		0.51
0345	068644					LID		0.51
0346	048277					WETTING AGENT CONTAINER		6.60



LS\_05\_Elux-Zop\ 631801.ppt6

ill. 631801p3

Da Ser. Nr. / From ser. nr.: 545 / ....

Page: 4

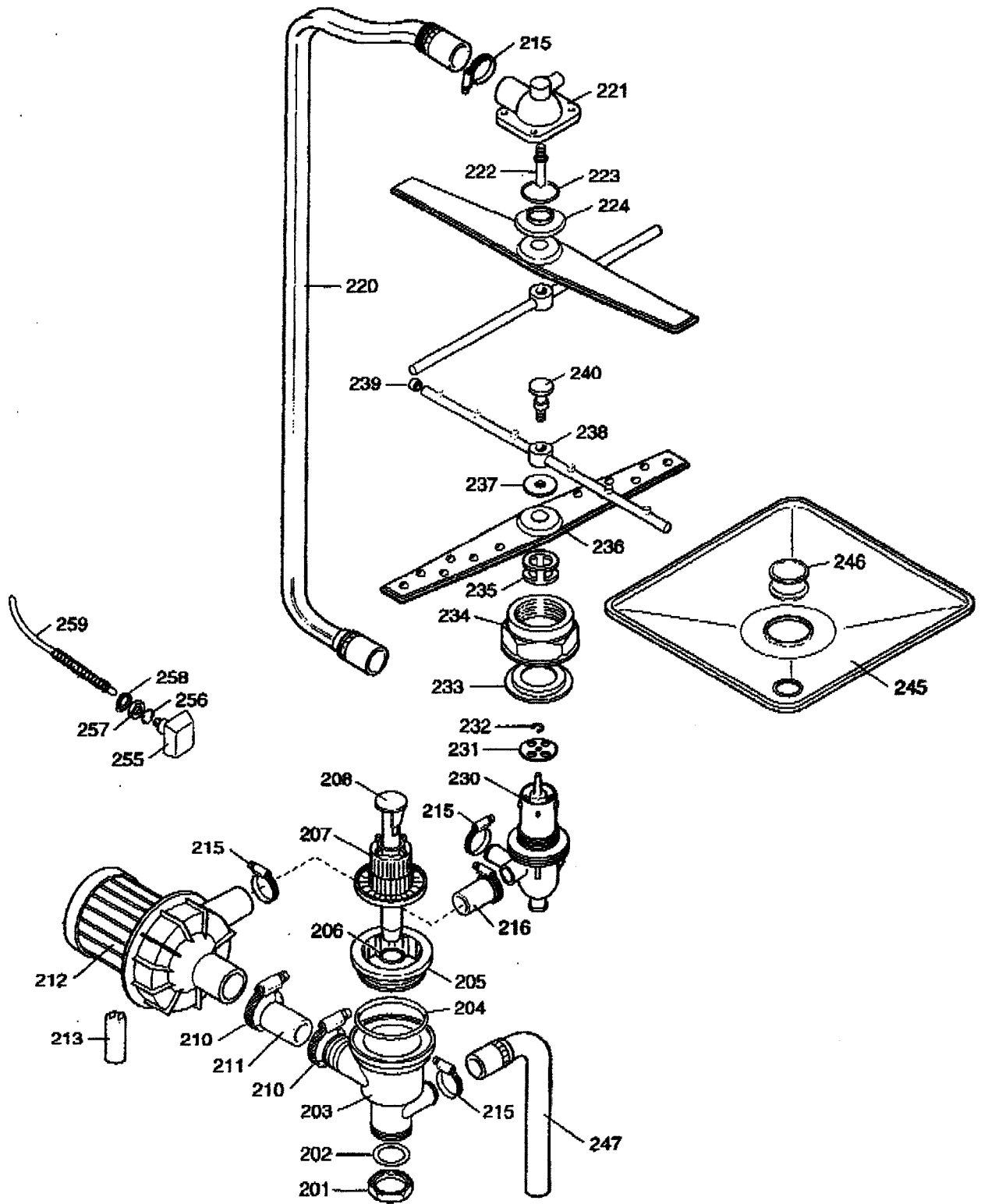
Ed. 9901

Doc. Nr.:

**6-31 801**

Model: 505023 - WT50/J50 - HOOD TYPE DISHWASHER 810 P/H  
 List of Spare Parts Table: 6-31801 Page 3 - Hydraulic components

Pos.	Spare Part	Atlas Code	Repl. by	S	Inf	Description	Notes	GBP
0201	046596			S		STOPPLE		1.69
0202	046595			S		GASKET		1.54
0203	048325			S		DRAIN MANIFOLD		11.51
0204	048327			S		O-RING		1.98
0205	048326			S		RING		4.91
0206	046799			S		O-RING		0.51
0207	048324			S		PUMP SUCTION FILTER		8.07
0208	048323			S		OVERFLOW PIPE		5.87
0210	046855			S		HOSE CLAMP		1.32
0211	045768			S		HOSE; 1PC=300MM		11.29
0212	049161					WASH PUMP; 200V 1P 50HZ	m	191.32
0213	0A2914			S		CAPACITOR; 16MF 500V	e,f,m,n,o,p	15.25
0215	046878			S		HOSE CLAMP		1.17
0216	046257			S		HOSE; L=430 MM		13.57
0220	048846			S		SPRAY COLLECTOR		21.19
0221	046368				D	SUPPORT F. UPPER JETS		25.89
0222	048333			S		PIN		13.86
0223	046366			S		O-RING		0.88
0224	048850			S		REDUCTION		4.84
0230	048819			S		SUPPORT F. LOWER JETS		36.37
0231	048820			S		SHUTTER		2.20
0232	048979			S		SNAP RING		0.51
0233	048236			S		GASKET		2.27
0234	048330			S		RING NUT		3.52
0235	048401			S		HUB FOR JETS; LS 7-8-10-12		34.17
0236	048821		0L0598		D	WASHING JET		30.80
0237	048632			S		LOCK WASHER		6.89
0238	048716			S		RINSE JET		64.75
0239	048714			S		PLUG; FOR WASH ARM		0.81
0240	048290			S		PIN; FOR RINSE JET		18.33
0245	048332		049537		D	TANK FILTER		0.00
0246	048584		049537		D	FILTER SUPPORT		0.00
0247	048644					DRAIN PIPE		12.39
0255	048308			S		AIR TRAP		5.79
0256	068642			S		O-RING		0.59
0257	049268			S		NUT; M14X1.5		0.88
0258	046946			S		HOSE CLAMP		1.54
0259	048883			S		RUBBER HOSE; 5X12, 1PC=2300MM		10.93



ill. 631801p2

Da Ser. Nr. / From ser. nr.: 645 / ....

Page: 3

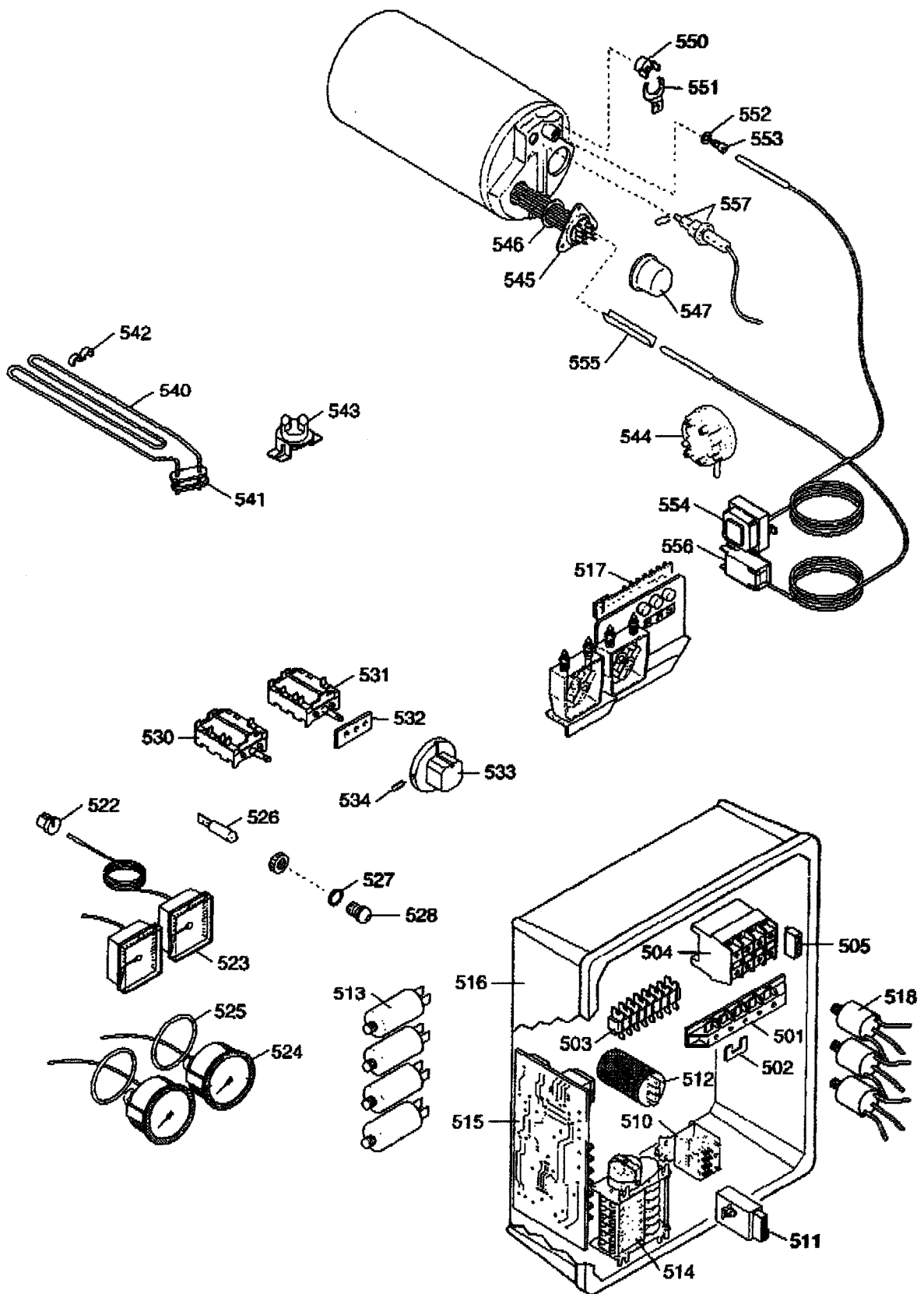
Ed. 9901

Doc. Nr.:

**6-31 801**

Model: 505023 - WT50/J60 - HOOD TYPE DISHWASHER #10 P/H  
 List of Spare Parts Table: 6-31801 Page 6 - Electric components

Pos.	Spare Part	Alias Code	Repl. by	S	Inf	Description	Notes	GBP
0501	046347			S		TERMINAL BOARD		9.68
0502	049300					JUMPER	a,b,c,d,e,f,g,h,j,l,m,n,o,q	0.51
0504	048736		0L0286			CONTACTOR	j,m,n	0.00
0505	048497			S		AUXILIARY CONTACT	a,b,c,e,f,g,j,m,n	9.09
0511	049159				D	RELAY; 2 CONTACTS	m,n	21.12
0515	049150					PCB	m,n	115.50
0516	048263					EL. COMPONENTS BOX	a,b,c,e,f,g,j,m,n,p	41.29
0518	048728					INTERFERENCE FILTER	m,n	5.94
0522	048526			S		PLUG		0.95
0523	048525			S		THERMOMETER	a,b,c,d,e,f,g,h,j,l,m,n,o,p	29.70
0526	048832			S		LAMP	m,n	3.01
0527	046684			S		GASKET		0.73
0528	046289			S		PILOT LAMP	a,b,c,d,e,f,g,h,j,l,m,n,o,p	1.81
0528	047750			S		CAP	a,b,c,d,e,f,g,h,j,l,m,n,o,p	11.29
0530	049145					SWITCH	m,n,o,p	20.02
0531	049144					SELECTOR; 12 CAMMES	m,n,o,p	32.49
0532	046360			S		GASKET	a,b,c,d,e,f,g,h,l,m,n,o,p, q	0.59
0533	048527			S		KNOB	a,b,c,d,e,f,g,h,j,l,m,n,o,p	7.77
0534	047846			S		SCREW		0.59
0540	048925					HEATING ELEMENT; 200V, 2,2KW	m,n	28.75
0541	048483			S		GASKET		0.88
0542	048429			S		BRACKET		1.98
0543	048804			S		BIMETALLIC THERMOSTAT -STEP 5	m,n,o,p	9.68
0544	048826			S		PRESSURE SWITCH; 2 LEV. 5 STEP	m,n,o,p	27.35
0545	049160					HEATING ELEMENT; 200V 4,5KW, 390 MM	m,n	62.83
0546	067620			S		O-RING F. ELEMENT		0.66
0547	065580			S		CAP COVER		1.17
0550	048887			S		THERMOSTAT/KLIXON	a,b,c,d,e,f,g,h,j,l,m,n,q	11.81
0551	048987			S		BRACKET	a,b,c,d,e,f,g,h,j,l,m,n,q	0.95
0552	067898			S		O-RING		0.59
0553	067899			S		STUFFING BOX		2.71
0554	049243			S		BOILER THERMOSTAT; ; 30-90 C, ADJUST.	a,b,c,d,e,f,g,h,j,l,m,n,q	31.81



ill. 631801p5

LS\_08\_Elux-Zopf\_631801.ppt6

Da Ser. Nr. / From ser. nr.: 545 / ...

Page: 8

Ed. 9901

Doc. Nr.:

**6-31 801**