

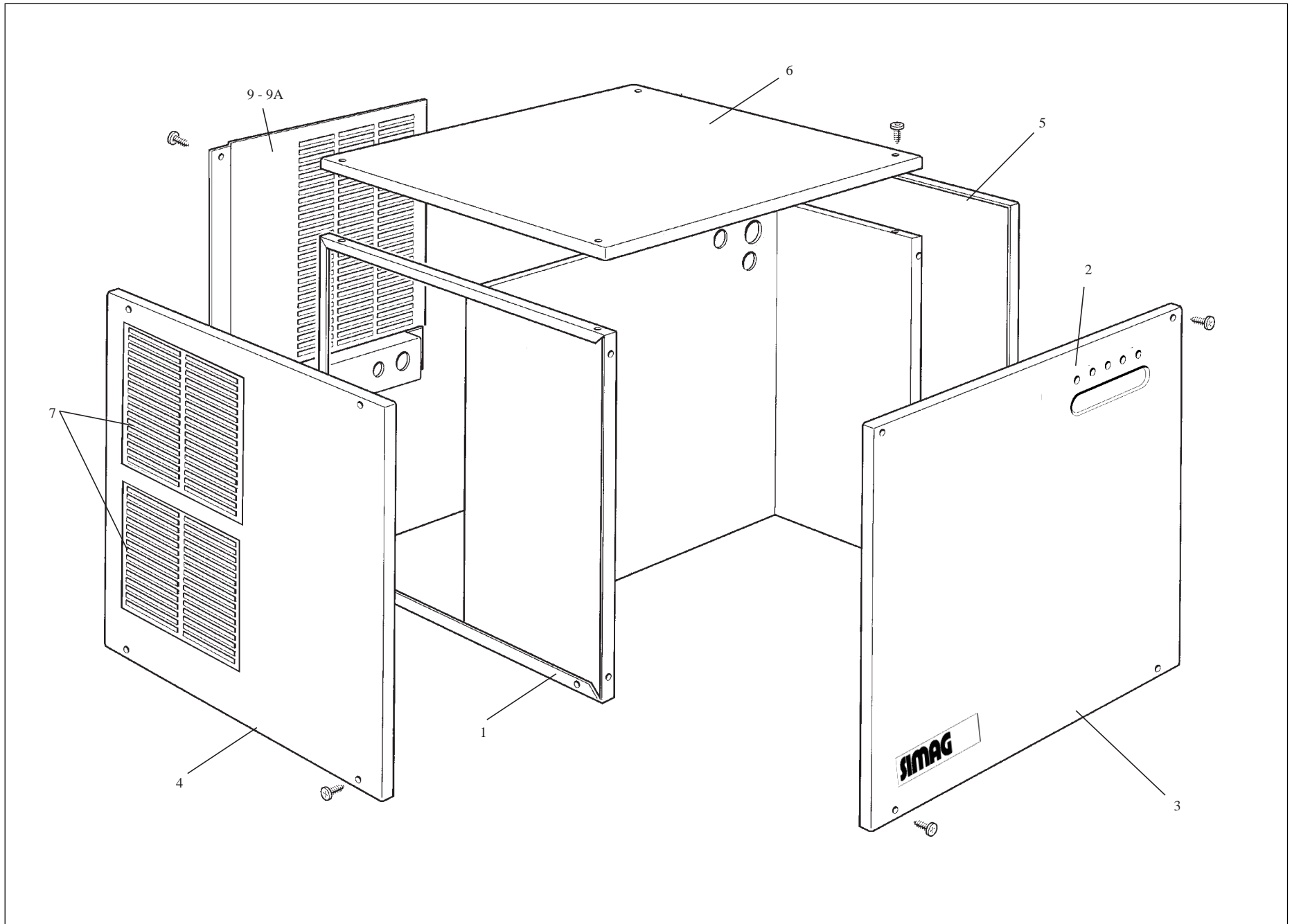
SIMAG

**Electronic
modular cuber**

SV 215-315

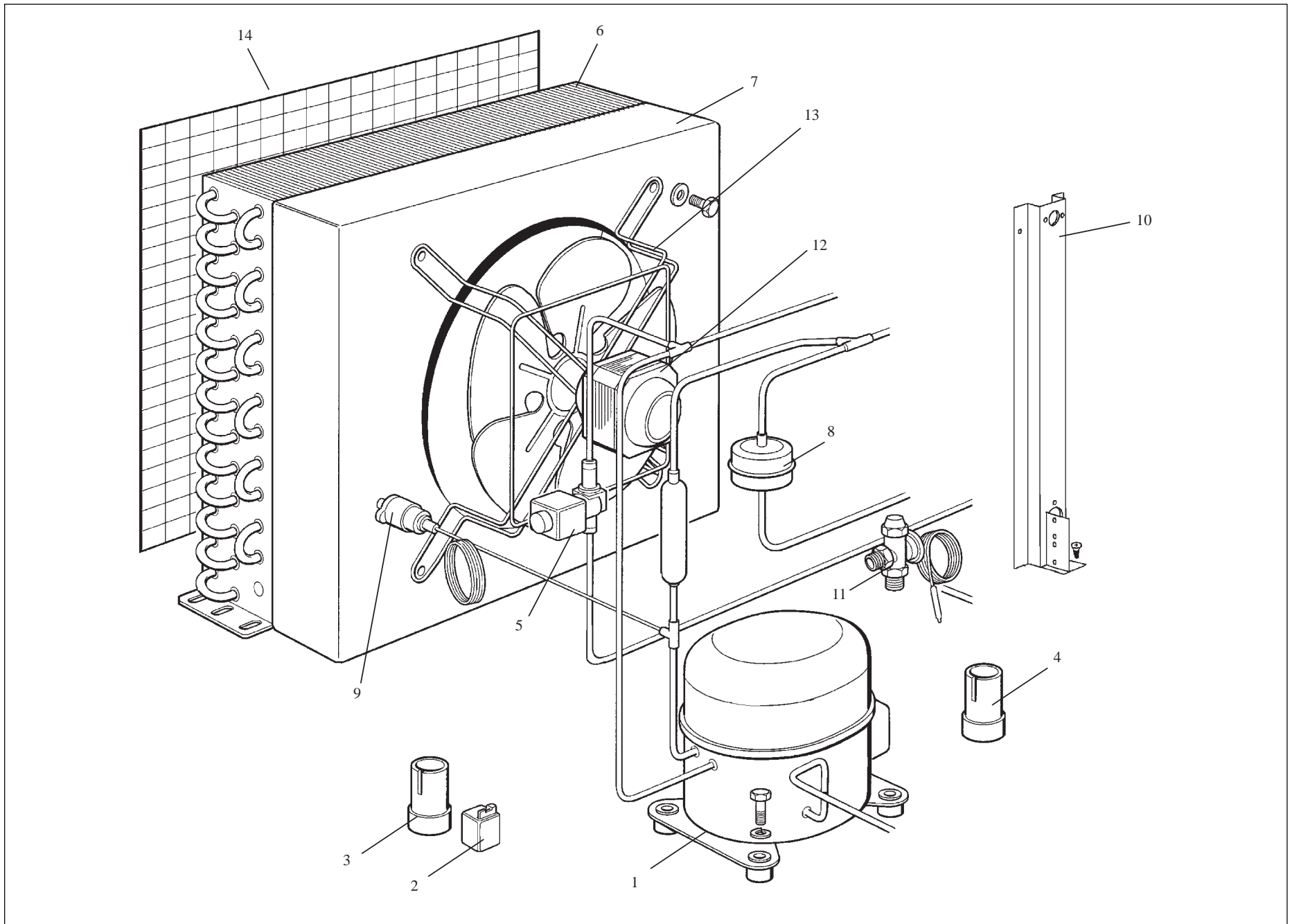
**SPARE PARTS LIST
CATALOGO RICAMBI
CATALOGUE PIÈCES DÉTACHÉES
ERSATZTEILENKATALOG**

PAGE PAGINA PAGE SEITE	TABLE OF CONTENTS	INDICE	TABLE DES MATIÈRES	INHALTVERZEICHNIS
1	TABLE OF CONTENTS	INDICE	TABLE DES MATIÈRES	INHALTVERZEICHNIS
2-3	CABINET ASSY	ASSIEME MOBILE	ENSEMBLE CAROSSERIE	AUSSENWANDE
4-5	REFRIGERANT SYSTEM AIR COOLED	SISTEMA REFRIGERANTE RAFFR. AD ARIA	CIRCUIT FRIGORIFIQUE REFROID. A AIR	GEFRIERSYSTEM LUFTGEKÜHLT
6-7	REFRIGERANT SYSTEM WATER COOLED	SISTEMA REFRIGERANTE RAFFR. AD ACQUA	CIRCUIT FRIGORIFIQUE REFROID. A EAU	GEFRIERSYSTEM WASSERGEKÜHLT
8-9	ICE MAKING SYSTEM	GRUPPO EVAPORATORE	GROUP EVAPORATEUR	VERDAMPFER
10-11	P.C. BOARD AND SENSORS ASSY	SCHEDA ELETTRONICA E SENSORI	ENS. CARTE ELECTRONIQUE ET DETECTEURS	ELEKTRONISCHE PLATINE UND TEMPERRATURFUEHLERENHEIT



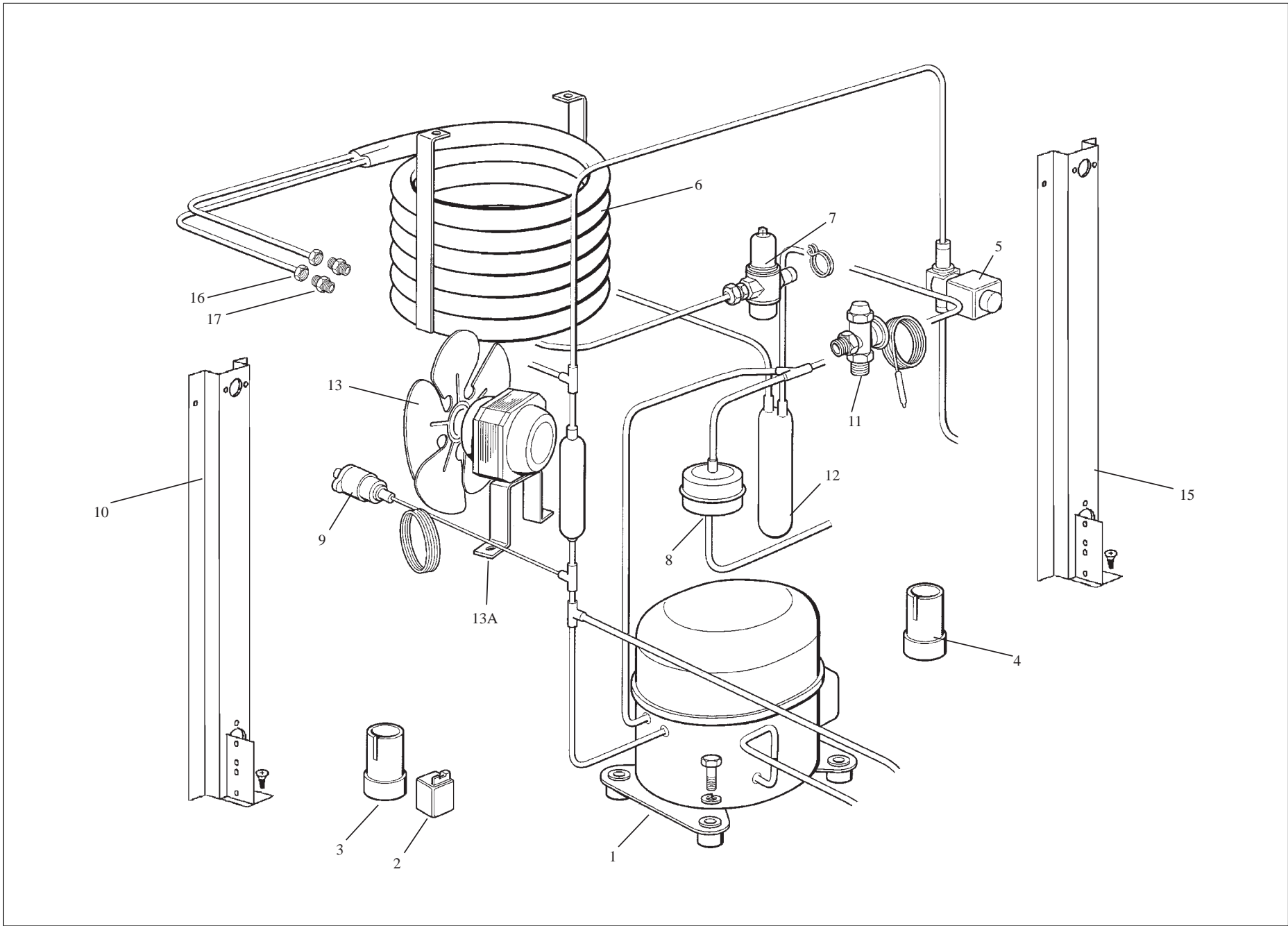
SV 215-315 - CABINET ASSY - ASS. MOBILE - ENSEMBLE CAROSSERIE - AUSSENWAENDE

ITEM NO POS NO REP. NO REF. NO	PART NO CODICE REFERENCE STUECK NR	DESCRIPTION	DESCRIZIONE	DESIGNATION	BESCHREIBUNG
1	CM 81453568	UNIT FRAME	ASSIEME TELAIO	ENS. CHASSIS	GEHAUSETEILE
2	CM 19262786/0	LABEL, MONITORING PANEL	ETICHETTA, LED	ETIQUETTE, LED	AUFKLEBER, LED
3	CM 81453675/0	PANEL, FRONT	PANNELLO FRONTALE	PANNEAU AVANT	VORDERWAND
4	CM 25330790	PANEL, LEFT SIDE	PANNELLO LAT. SX	PANNEAU GAUCHE	LINKSWAND
5	CM 25330788	PANEL, RIGHT SIDE	PANNELLO LAT. DX	PANNEAU DROITE	RECHTSWAND
6	CM 81453600	PANEL, TOP	PANNELLO SUPERIORE	PANNEAU DESSUS	ABDECKHAUBE
7	CM 28295031/0	GRILL PLASTIC	GRIGLIA IN PLASTICA	GRILLE EN PLASTIQUE	PLASTIKGRILL
9	CM 25550771	PANEL, REAR - AIR COOLED	PANNELLO POSTERIORE - ARIA	PANNEAU ARRIERE - AIR	RUECKWAND - LUFT
9A	CM 25550781	PANEL, REAR - WATER COOLED	PANNELLO POSTERIORE - ACQUA	PANNEAU ARRIERE - EAU	RUECKWAND - WASSER
*	CM 19262782/0 CM 19262783/0	LABEL SV 215 LABEL SV 315	ETICHETTA SV 215 ETICHETTA SV 315	ETIQUETTE SV 215 ETIQUETTE SV 315	AUFKLEBER SV 215 AUFKLEBER SV 315
*	CM 19262781/0	LABEL SIMAG	ETICHETTA SIMAG	ETIQUETTE SIMAG	AUFKLEBER SIMAG



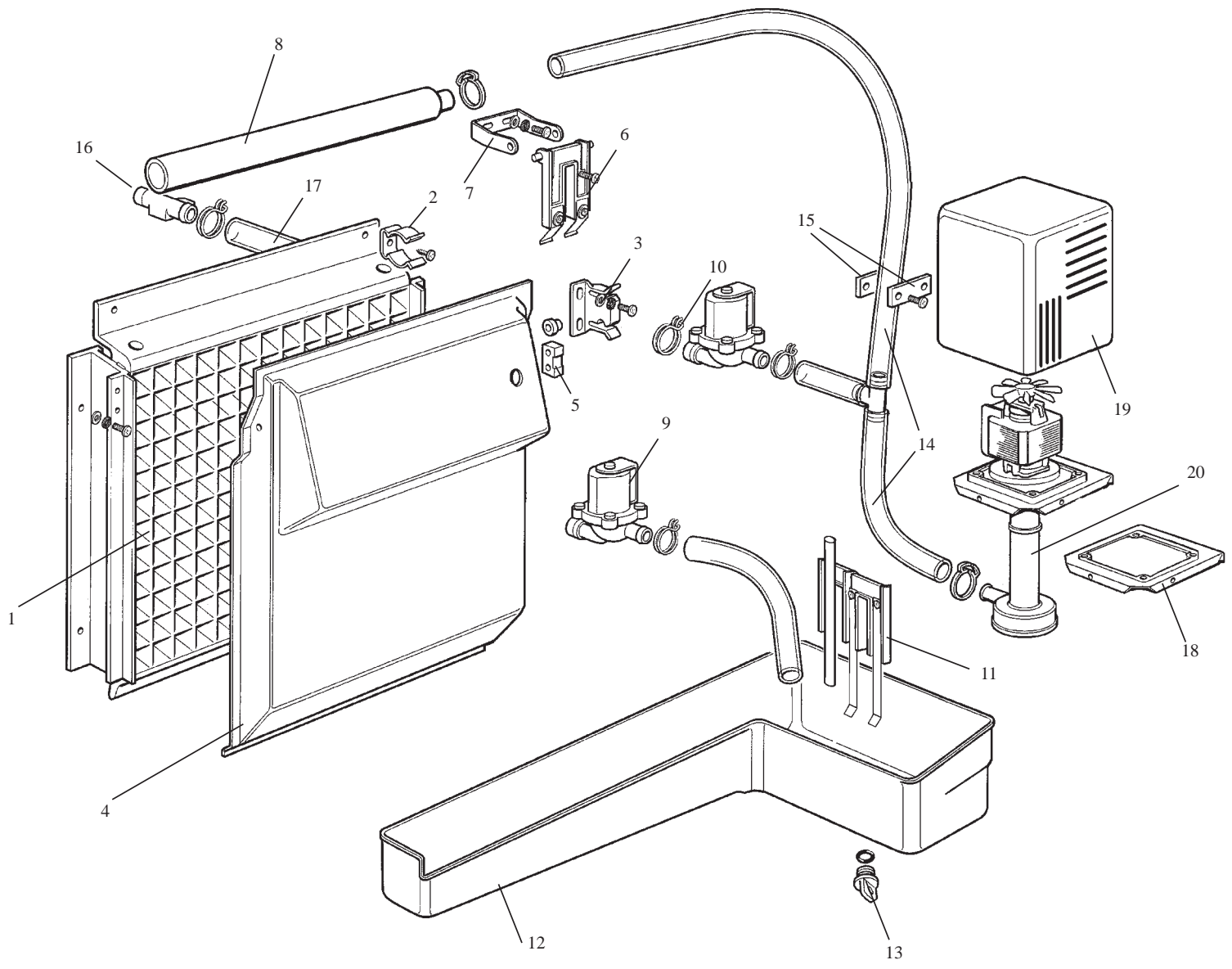
SV 215-315 - REFRIGERANT SYSTEM AIR COOLED - SISTEMA REFRIGERANTE RAFFR. AD ARIA
CIRCUIT FRIGORIFIQUE REFROID. PAR AIR - LUFTGEKÜHLTE GEFRIERSYSTEM

ITEM NO POS NO REP. NO REF. NO	PART NO CODICE REFERENCE STUECK NR		DESCRIPTION	DESCRIZIONE	DESIGNATION	BESCHREIBUNG
	SV 215	SV 315				
1	670099 04 670099 09 *****	670099 05 CM 19166046 *****	COMPRESSOR - 230/50/1 COMPRESSOR - 230/60/1 PROTECTOR - 230/50/1 PROTECTOR - 230/60/1 CRANKCASE HEATER	COMPRESSORE - 230/50/1 COMPRESSORE - 230/60/1 PROTETTORE - 230/50/1 PROTETTORE - 230/60/1 RESISTENZA CARTER	COMPRESSEUR - 230/50/1 COMPRESSEUR - 230/60/1 PROTECTEUR - 230/50/1 PROTECTEUR - 230/60/1 RECHAUFFEUR CARTER	KOMPRESSOR - 230/50/1 KOMPRESSOR - 230/60/1 SCHUTZVORRICHTUNG - 230/50/1 SCHUTZVORRICHTUNG - 230/60/1 KURBEL WANNENHEIZUN
2	620057 46 620057 50	620057 47 CM 19621699	STARTING RELAY - 230/50/1 STARTING RELAY - 230/60/1	RELE AVVIAMENTO - 230/50/1 RELE AVVIAMENTO - 230/60/1	RELAIS - 230/50/1 RELAIS - 230/60/1	RELAIS - 230/50/1 RELAIS - 230/60/1
3	620167 00 620167 01	*****	STARTING CAPACITOR 88-108 MF 330 V STARTING CAPACITOR 64-77 MF 330 V	CAPACITA' AVVIAMENTO 88-108 MF 330 V CAPACITA' AVVIAMENTO 64-77 MF 330 V	CAPACITE DE DEMARRAGE 88-108 MF 330 V CAPACITE DE DEMARRAGE 64-77 MF 330 V	STARTKONDENSATOR 88-108 MF 330 V STARTKONDENSATOR 64-77 MF 330 V
4	620167 21	62016716 620167 54	RUNNING CAPACITOR 15-25 MF 400 V RUNNING CAPACITOR 35 MF 450 V	CAPACITA' MARCIA 15-25 MF 400 V CAPACITA' MARCIA 35 MF 450 V	CAPACITE PERMANENT 15-25 MF 400 V CAPACITE PERMANENT 35 MF 450 V	BETRIEBSKONDENSATOR 15-25 MF 400 V BETRIEBSKONDENSATOR 35 MF 450 V
5	CM 19863034		HOT GAS VALVE 230/50-60	VALVOLA GAS CALDO 230/50-60	VANNE GAZ CHAUD 230/50-60	HEISSGASVENTIL 230/50-60
6	CM 19177073	CM 19177072	AIR COOLED CONDENSER	CONDENSATORE AD ARIA	CONDENSEUR A AIR	KONDENSATOR
7	CM 25168795	CM 25168793	CONDENSER SHROUD	CONVOGLIATORE	CONVOYEUR	KONDENSATOR GEHÄUSE
8	CM 19300357	CM 19301257	DRIER	FILTRO	DESHYDRATEUR	TROCKNER
9	CM 25474402		HI PRESSURE CONTROL	PRESSOSTATO SICUREZZA	PRESSOSTAT DE SECURITÉ	SICHERHEITPRESSOSTAT
10	CM 25725530		METAL BRACKET	SUPPORTO IN METALLO	SUPPORT METALLIQUE	METALTRÄGER
11	CM 81453620		THERM. EXP. VALVE	VALVOLA D'ESPANSIONE	DETENDEUR	EXPANSIONSVENTIL
12	CM 18562524		FAN MOTOR 230/50-60	MOTORE VENTILATORE 230/50-60	MOTEUR DU VENTILATEUR 230/50-60	LUFTERMOTOR 230/50-60
13	CM 18740032 CM 25726513		FAN BLADE FAN BRACKET	VENTOLA SUPPORTO MOTORE	HELICE SUPPORT MOTEUR	FLUEGEL LUFTER MOTOR TRAEGER
14	CM 25339006		CONDENSER FILTER	FILTRO CONDENSATORE	FILTRE CONDENSEUR	KONDENSATORFILTER



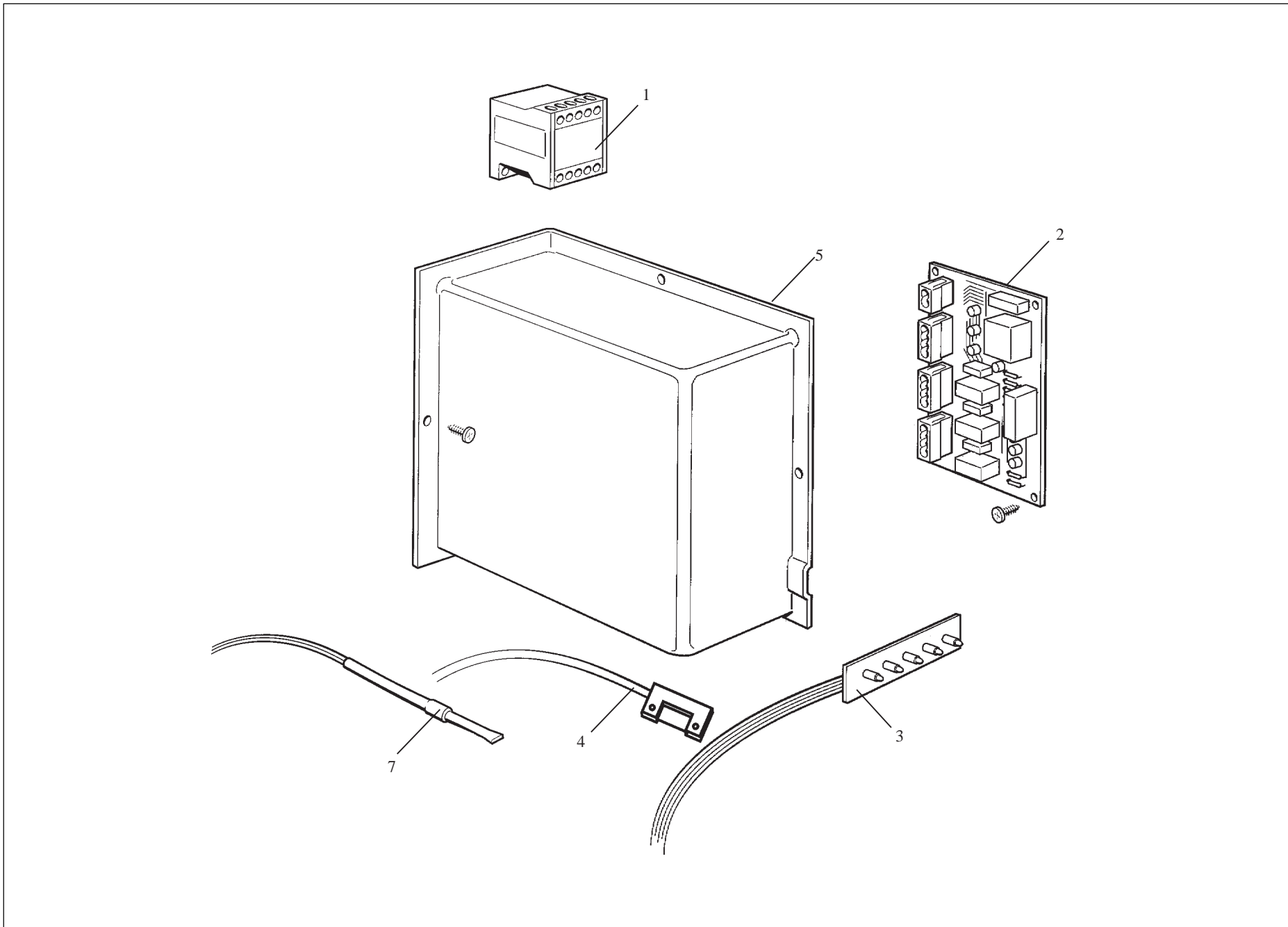
SV 215-315 - REFRIGERANT SYSTEM WATER COOLED - SISTEMA REFRIGERANTE RAFFR. AD ACQUA
CIRCUIT FRIGORIFIQUE REFROID. PAR EAU - WASSERGEKÜHLTE GEFRIERSYSTEM

ITEM NO POS NO REF. NO REF. NO	PART NO CODICE REFERENCE STUECK NR		DESCRIPTION	DESCRIZIONE	DESIGNATION	BESCHREIBUNG
	SV 215	SV 315				
1	670099 04 670099 09 *****	670099 05 CM 19166046 *****	COMPRESSOR - 230/50/1 COMPRESSOR - 230/60/1 PROTECTOR - 230/50/1 PROTECTOR - 230/60/1 CRANKCASE HEATER	COMPRESSORE - 230/50/1 COMPRESSORE - 230/60/1 PROTETTORE - 230/50/1 PROTETTORE - 230/60/1 RESISTENZA CARTER	COMPRESSEUR - 230/50/1 COMPRESSEUR - 230/60/1 PROTECTEUR - 230/50/1 PROTECTEUR - 230/60/1 RECHAUFFEUR CARTER	KOMPRESSOR - 230/50/1 KOMPRESSOR - 230/60/1 SCHUTZVORRICHTUNG - 230/50/1 SCHUTZVORRICHTUNG - 230/60/1 KURBEL WANNENHEIZUN
2	620057 46 620057 50	620057 47 CM 19621699	STARTING RELAY - 230/50/1 STARTING RELAY - 230/60/1	RELE AVVIAMENTO - 230/50/1 RELE AVVIAMENTO - 230/60/1	RELAIS - 230/50/1 RELAIS - 230/60/1	RELAIS - 230/50/1 RELAIS - 230/60/1
3	620167 00 620167 01	*****	STARTING CAPACITOR 88-108 MF 330 V STARTING CAPACITOR 64-77 MF 330 V	CAPACITA' AVVIAMENTO 88-108 MF 330 V CAPACITA' AVVIAMENTO 64-77 MF 330 V	CAPACITE DE DEMARRAGE 88-108 MF 330 V CAPACITE DE DEMARRAGE 64-77 MF 330 V	STARTKONDENSATOR 88-108 MF 330 V STARTKONDENSATOR 64-77 MF 330 V
4	620167 21	62016716 620167 54	RUNNING CAPACITOR 15-25 MF 400 V RUNNING CAPACITOR 35 MF 450 V	CAPACITA' MARCIA 15-25 MF 400 V CAPACITA' MARCIA 35 MF 450 V	CAPACITE PERMANENT 15-25 MF 400 V CAPACITE PERMANENT 35 MF 450 V	BETRIEBSKONDENSATOR 15-25 MF 400 V BETRIEBSKONDENSATOR 35 MF 450 V
5	CM 19863034		HOT GAS VALVE 230/50-60	VALVOLA GAS CALDO 230/50-60	VANNE GAZ CHAUD 230/50-60	HEISSGASVENTIL 230/50-60
6	CM 81453642	CM 81453643	WATER COOLED CONDENSER	CONDENSATORE AD ACQUA	CONDENSEUR A EAU	KONDENSATOR
7	CM 19865611		WATER REGULATING VALVE	VALVOLA PRESSOSTATICA	VANNE PRESSOSTATIQUE	WASSERREGLER VENTIL
8	CM 19300357	CM 19301257	DRIER	FILTRO	DESHYDRATEUR	TROCKNER
9	CM 25474402		HI PRESSURE CONTROL	PRESSOSTATO SICUREZZA	PRESSOSTAT DE SECURITÉ	SICHERHEITPRESSOSTAT
10	CM 25725530		METAL BRACKET LT	SUPPORTO IN METALLO SX	SUPPORT METALLIQUE GAUCHE	METALTRÄGER LINKE
11	CM 81453620		THERM. EXP. VALVE	VALVOLA D'ESPANSIONE	DETENDEUR	EXPANSIONSVENTIL
12	CM 81453633		ACCUMULATOR ASSY	ASS. ACCUMULATORE	ENS. ACCUMULATEUR	SAMMLER
13	620419 32		FAN BLADE	VENTOLA	HELICE	FLUEGEL
13A	620419 00		FAN MOTOR 230/50-60	MOTORE VENTILATORE 230/50-60	MOTEUR VENTILATEUR 230/50-60	LUFTERMOTOR 230/50-60
15	CM 25725537		METAL BRACKET RT	SUPPORTO IN METALLO DX	SUPPORT METALLIQUE DROITE	METALTRÄGER RECHTE
16	CM 25631047		FITTING	RACCORDO	RACCORDE	WASSERBEFESTIGUNG
17	CM 25631045		FITTING	RACCORDO	RACCORDE	WASSERBEFESTIGUNG



SV 215-315 - ICE MAKING SYSTEM - GRUPPO EVAPORATORE - GROUP EVAPORATEUR - VERDAMPFER

ITEM NO POS NO REP. NO REF. NO	PART NO CODICE REFERENCE STUECK NR	DESCRIPTION	DESCRIZIONE	DESIGNATION	BESCHREIBUNG
1	CM 81453592	EVAPORATOR ASSY EVAPORATOR ASSY - HALF DICE	ASS. EVAPORATORE ASS. EVAPORATORE - MEZZO CUBETTO	ENS. EVAPORATEUR ENS. EVAPORATEUR - DEMI GLAÇON	VERDAMPFEREINHEIT VERDAMPFEREINHEIT - MINI WÜRFEL
2	CM 25474608	METAL CLIP	MOLLETTA IN METALLO	SUPPORT	UNKLAMMERN
3	CM 25726473	BRACKET, DEFLECTOR COVER	SUPPORTO COPERCHIO DEFLETTORE	SUPPORT COUVERCLE/DEFLECTEUR	LENKWAND KLAMMERN
4	CM 81453630	DEFLECTOR COVER	COPERCHIO DEFLETTORE	COUVERCLE/DEFLECTEUR	LENKWAND
5	CM 19355004	MAGNET	MAGNETE	MAGNETO	MAGNET
6	CM 81453434	ICE THICKNESS SENSOR	SENSORE SPESSORE GHIACCIO	SONDE EPAISSEUR GLAÇONS	EISGROSSENßFÜHLER
7	CM 25725450	BRACKET, ICE THICKNESS SENSOR	SUPPORTO SENSORE GHIACCIO	SUPPORTO DISPOSITIF CAPTEUR	EISMEßFÜHLER KLAMMERN
8	CM 81463575	TUBE, WATER DISTRIBUTOR	TUBO DI DISTRIBUZIONE	POMPE DE DISTRIBUTION EAU	WASSERSPRUEHEINHEIT
9	650105 54	WATER INLET VALVE 230/50-60	VALVOLA INGR. ACQUA 230/50-60	V. EN. ARRIVÉE EAU 230/50-60	WASSEREINLAUFVENTIL 230/50-60
10	11000514 01	VALVE, WATER DRAIN	VALVOLA DI SCARICO	VANNE DE VIDANGE EAU	WASSERABFLUSSVENTIL
11	CM 81453590	WATER LEVEL SENSOR	SONDA LIVELLO ACQUA	SONDE NIVEAU EAU	WASSERNIVEAU FÜHLER
12	CM 25820125	WATER SUMP	VASCHETTA ACQUA	RESERVOIR D'EAU	WASSERBECKEN
13	CM 25730503 CM 41020448	DRAIN PLUG O RING	TAPPO SCARICO GUARNIZIONE OR	BOUCHON DE VIDANGE JOINT TORIQUE	VERSCHLUßSCRAUBE O RING
14	CM 81453567	TUBE, WATER	TUBO	TUYAU	ROHR
15	CM 81453015	WATER FLOW ADJUSTER ASSY	ASS. REGOLATORE PORTATA	ENS. REGLEUR DE DEBIT EAU	WASSERFLUSS REGLER
16	CM 25690807	DRAIN FITTING, WATER	RACCORDO SCARICO	RACCORD EVACUATION EAU	WASSERABFLUSS STÜCK
17	CM 25791643	TUBE	TUBO	TUYAU	SCHLAUCH
18	CM 25725531	BRACKET, PUMP	SUPPORTO POMPA	SUPPORT POMPE	PUMPENTRAEGER
19	CM 81453627	WATER PUMP COVER	COPERCHIO POMPA	COUVERCLE POMPE	PUMPE ABDECKUNG
20	620433 00 620433 01	WATER PUMP - 230/50/1 WATER PUMP - 230/60/1	POMPA - 230/50/1 POMPA - 230/60/1	POMPE A EAU - 230/50/1 POMPE A EAU - 230/60/1	WASSERPUMPE - 230/50/1 WASSERPUMPE - 230/60/1



SV 215-315 - P.C. BOARD AND SENSOR ASSY - SCHEDA ELETTRONICA E SENSORI
ENS. CARTE ELECTRIQUE ET DETECTEURS - ELEKTRONISCHE KARTE UND TEMPERATURFUEHLERENHEIT

ITEM NO POS NO REP. NO REF. NO	PART NO CODICE REFERENCE STUECK NR	DESCRIPTION	DESCRIZIONE	DESIGNATION	BESCHREIBUNG
1	CM 33730712	CONTACTOR	TELERUTTORE	CONTACTEUR	SCHALTSCHÜTZ
2	CM 33580150	P.C. BOARD	SCHEDA ELETTRONICA	CARTE ELECTRONIQUE	STEUERKARTE
3	CM 33580151	MONITORING LED ASSY	PANNELLO DI CONTROLLO	ENS. LED DE SIGNALISATION	SIGNAL LED EINHEIT
4	CM 33210018	MAGNETIC SENSOR	SENSORE MAGNETICO	SONDE MAGNETIQUE	MAGNETISCHES FÜHLER
5	CM 25161143	CONTROL BOX COVER	COPERCHIO	COUVERCLE	ANSCHLUSSKASTEN GEHAUSE
7	CM 33580101	CONDENSER SENSOR	SENSORE CONDENSATORE	SONDE CONDENSEUR	KONDENSER FÜHLER