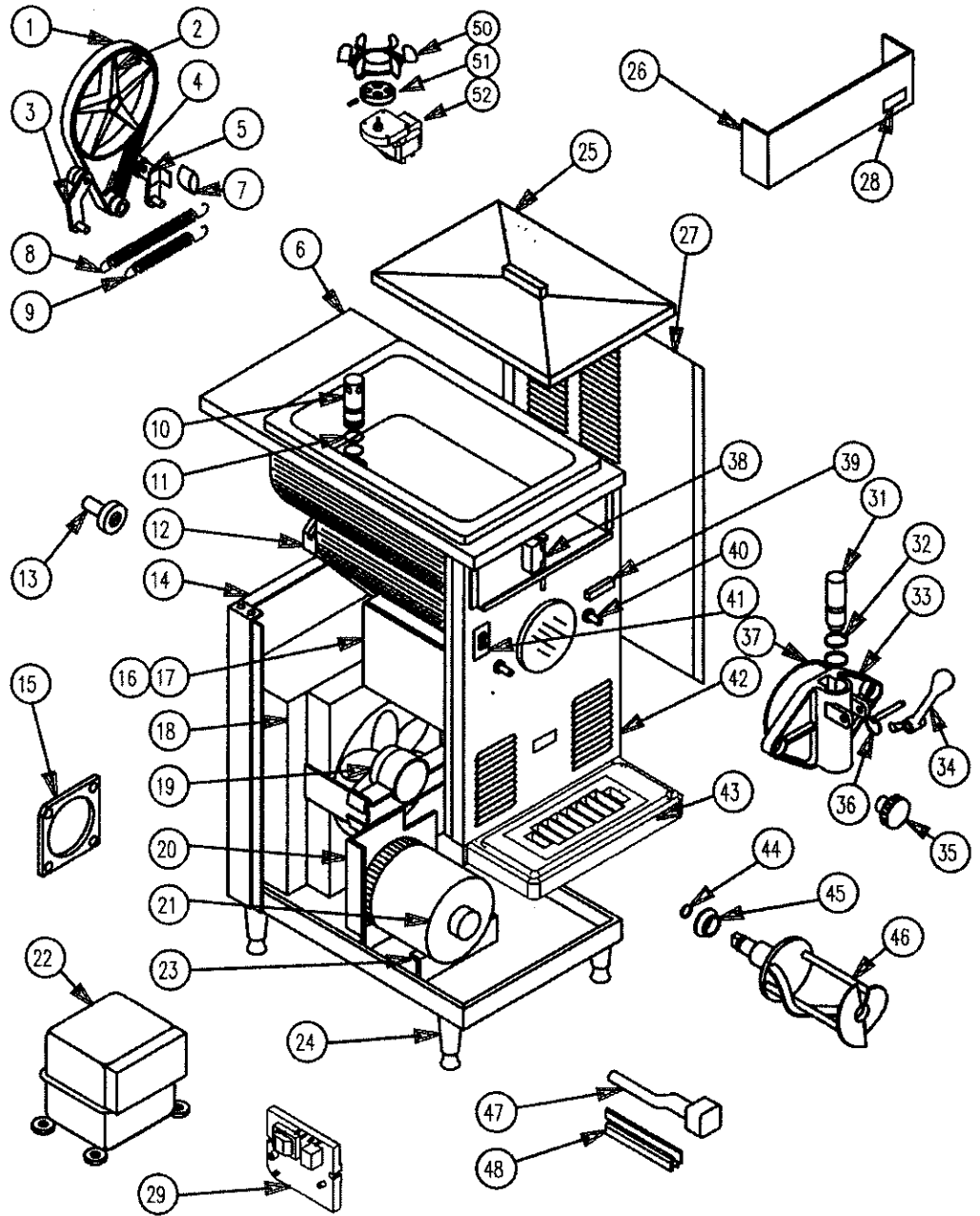


Saniserv.Net

Parts List
(115V, 1PH, 60HZ)
Model 407

1. Belt 58888
2. Pulley 10212
3. Belt Idler 103249
4. Pulley 10208
5. Torque Idler 104973
6. Mix Pan and Evaporator
Top Cover Assy. 109704
7. Cushion 104648
8. Torque Spring 64504
9. Idler Spring 64515
10. Carb Tube 105694
Carb Tube Insert 105975
11. Carb Tube O-Ring (2) 58947
12. Drip Chute 105406
Drip Chute Hanger 105369
13. Bearing & Shaft 105792
Bearing Cap 109270
14. Back Panel 109537
15. Motor Spacer Plate 102427
16. Wire Box Assy (See Below)
17. Wiring Box Cover 109539
Rear Support 109538
Power Cable 61266
18. Condensing Base 75822
19. Fan Motor 75595
Fan Blade 75365
20. Motor Support 104972
21. Dasher Motor 75272
22. Compressor 75827
Start Capacitor 76475
Current Relay 76477
Compressor Overload 76476
23. Motor Saddle 104267
24. Leg (4) 64135
25. Mix Pan Lid 108302
26. Spigot Housing Cover 105532-02
27. Side Panel (2) 108526
28. Logo 16039
29. Liquid Level Control Board 70599
31. Spigot Plunger 105503
32. Plunger O-Ring (2) 58923
33. Front Plate 65631
34. Spigot Handle 65632-01
35. Front Plate Knob (2) 64065
36. Faspin 64255
37. Front Plate O-Ring 58911
38. Spigot Switch 70008
Spigot Switch Plunger 105529
Spring 105684
Housing Assy. 105526-01
Switch Bracket 105530
39. Mix Out Light 61395
40. Front Plate Stud (2) 7107
41. Switch 70023
Switch Decal 9510
Switch Boot 61380
42. Front Panel 109534
43. Drip Tray Support 108976
Drip Tray 108867
Drip Tray Insert 108868
44. Dasher O-Ring 58903
45. Rear Seal 108541
46. Dasher 104991
47. Stator Rod 105531
48. Scraper Blade 104984-02
50. Top Agitator 108919
51. Magnetic Drive 108928
52. Motor 75817



Refrigeration Parts

- | | |
|--------------------|-------|
| Access Valve, 1/4" | 71046 |
| Access Valve, 3/8" | 71021 |
| Drier | 71022 |
| Expansion Valve | 71035 |
| Needle Valve | 71060 |

ORIGINAL

181008

SaniServ
Exploded View

Model 407
Description 115V, 1PH, 60Hz
Wiring Box 15823
Wiring Dia. 81371

BOM 4070070
File 181008D.DWG
ECN 1227
Date 12/13/01
Sheet 1 of 1

D