



---

# Service Manual

## Ice Cube Maker

### AGB 024/01/G/WP

---

<b>Model Version</b>		<b>Page</b>
	AGB 024/01/G/WP	
	8512 024 15092	
	Technical data	2
	Spare part list	3
	Exploded view	4
	Circuit and Wiring diagram	5 - 6

## Technical data

**Factory Code** PGK 40

### Dimensions

Height	86.35	cm
Width	55.5	cm
Depth	57.0	cm

### Electrical connection

Voltage	220 - 240	V
Frequency	50	Hz

### Compressor

Type	NE 5187 Z	
Capacity (CECOMAF)	915	W

### Refrigerant

Type	R 134 a	
Quantity	220	g

### Thermostat ice quantity

Switch on temperature min.	+ 12.0	°C
Switch on temperature max.	+ 4.0	°C
Switch off temperature min.	+ 6.0	°C
Switch off temperature max.	- 2.0	°C

### Thermostat ice thickness

Switch on temperature min.	+ 2.0	°C
Switch on temperature max.	+ 2.0	°C
Switch off temperature min.	- 15.0	°C
Switch off temperature max.	- 8.0	°C

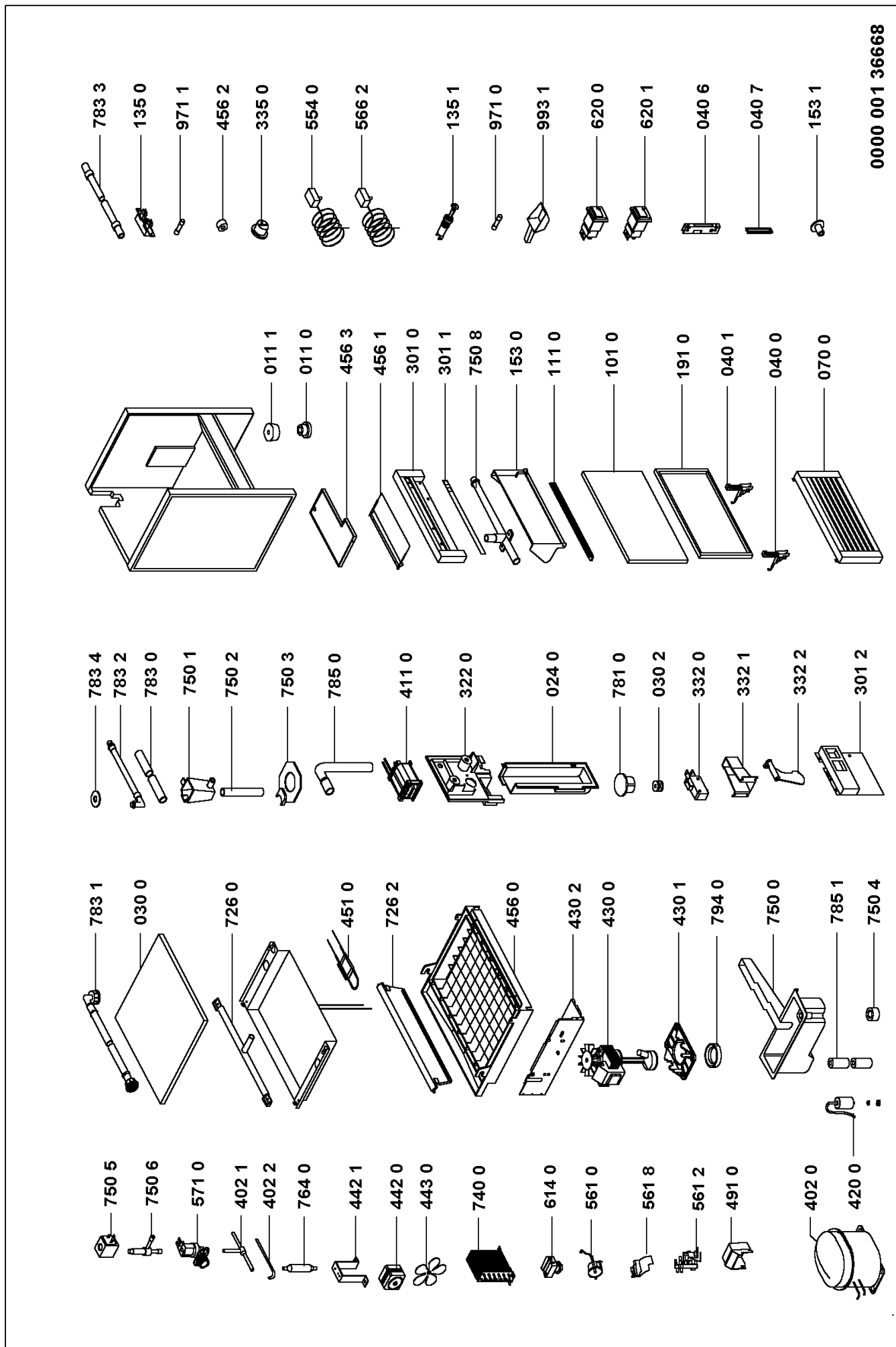
## Spare part list

Model **AGB 024/01/G/WP**  
Service No. **851202415092**  
Version **851202415092**

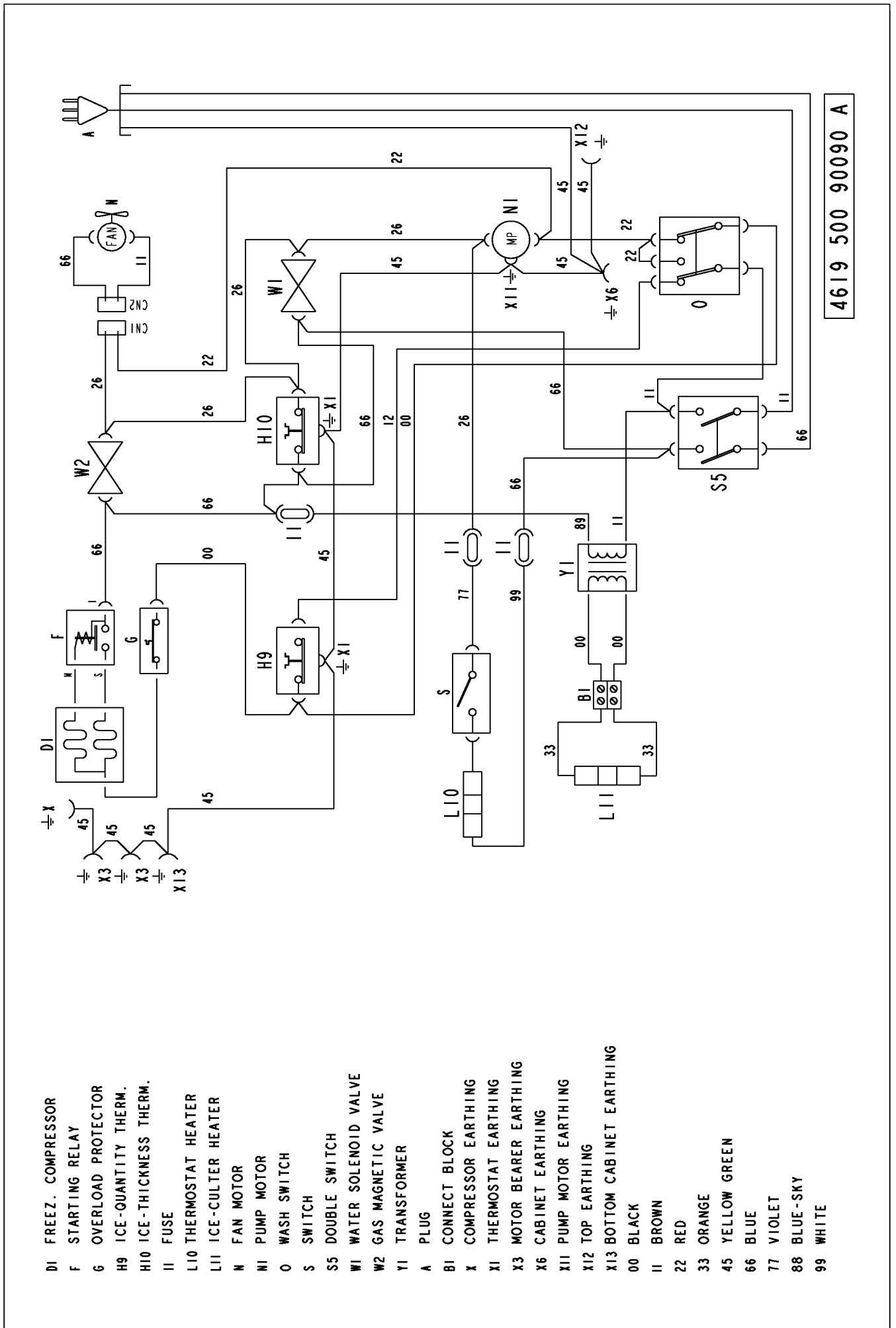
Pos. No.	12NC Code	Description
011 0	<b>4819 500 18116</b>	Foot
011 1	<b>4819 532 68413</b>	Holder
024 0	<b>4819 462 79583</b>	Cover plate
030 0	<b>4812 440 19982</b>	Table top
030 2	<b>4819 532 28158</b>	Bushing
040 0	<b>4819 417 18949</b>	Hinge left
040 1	<b>4819 417 18948</b>	Hinge right
040 6	<b>4819 417 19039</b>	Holder f.hinge
040 7	<b>4819 459 48413</b>	Frame f.hinge
070 0	<b>4819 458 38027</b>	Grid, airing
101 0	<b>4812 416 18252</b>	Door, freezer
111 0	<b>4819 498 68991</b>	Grip
135 0	<b>4819 256 48005</b>	Holder
135 1	<b>4819 256 48006</b>	Holder
153 0	<b>4819 442 28652</b>	Flap
153 1	<b>4819 532 68296</b>	Bushing
191 0	<b>4819 466 69457</b>	Magnetic seal
301 0	<b>4819 442 28169</b>	Control panel
301 1	<b>4819 452 99192</b>	Insert
301 2	<b>4819 462 58102</b>	Bracket
322 0	<b>4819 452 99825</b>	Bracket
332 0	<b>4819 271 38107</b>	Microswitch
332 1	<b>4819 404 49804</b>	Holder f.switch
332 2	<b>4819 404 49805</b>	Lever
335 0	<b>4819 413 48086</b>	Knob thermostat
402 0	<b>4812 360 38748</b>	Compressor, NE 5187 Z
402 1	<b>4819 526 48339</b>	Coupling piece
402 2	<b>4819 530 28898</b>	Hose, connection
411 0	<b>4819 145 38026</b>	Transformer
420 0	<b>4819 121 18278</b>	Capacitor
430 0	<b>4819 361 78138</b>	Motor, pump cpl.
430 1	<b>4819 404 49197</b>	Holder f.pump
430 2	<b>4819 404 78532</b>	Support
442 0	<b>4819 361 18449</b>	Motor
442 1	<b>4819 404 49562</b>	Holder
443 0	<b>4819 515 48025</b>	Fan wheel
451 0	<b>4819 259 28719</b>	Heating element
456 0	<b>4819 259 98215</b>	Res,icecube cut
456 1	<b>4819 440 99901</b>	Guide f.ice
456 2	<b>4819 532 58012</b>	Bushing
456 3	<b>4819 442 78154</b>	Door, flap
491 0	<b>4812 290 88075</b>	Cover, conn.bloc
554 0	<b>4819 271 28842</b>	Thermostat , ice quantity
561 0	<b>4812 280 38021</b>	Protect, motor
561 2	<b>4819 290 68433</b>	Connectionblock
561 8	<b>4812 280 38006</b>	Protect, motor Holder
566 2	<b>4819 271 28799</b>	Thermostat ice thickness
571 0	<b>4819 281 28225</b>	Valve, magnet
614 0	<b>4812 280 38019</b>	Monoblock
620 0	<b>4819 276 18121</b>	Switch blue
620 1	<b>4819 276 18119</b>	Switch green
726 0	<b>4819 532 48002</b>	Tube
726 2	<b>4819 440 79896</b>	Flap
740 0	<b>4819 511 48562</b>	Condenser
750 0	<b>4819 418 79319</b>	Container

Pos. No.	12NC Code	Description
750 1	<b>4819 418 48238</b>	Tube
750 2	<b>4819 530 28593</b>	Connection
750 3	<b>4819 462 79088</b>	Stopper
750 4	<b>4819 526 48183</b>	Stopper
750 5	<b>4819 281 68028</b>	Coil
750 6	<b>4819 281 28248</b>	Valve, magnet
750 8	<b>4819 526 48341</b>	Coupling piece
764 0	<b>4819 480 28144</b>	Dryer
781 0	<b>4819 462 78475</b>	Stopper
783 0	<b>4819 530 28541</b>	Hose
783 1	<b>4819 530 28736</b>	Hose
783 2	<b>4819 530 28742</b>	Hose
783 3	<b>4819 530 48499</b>	Hose
783 4	<b>4819 532 58239</b>	Gasket
785 0	<b>4819 529 28138</b>	Tube
785 1	<b>4819 530 28112</b>	Insulator
794 0	<b>4819 532 68096</b>	Gasket
971 0	<b>4819 253 38007</b>	Fuse
971 1	<b>4819 253 28001</b>	Fuse 630MA
993 1	<b>4819 395 78012</b>	Skimmer f.ice

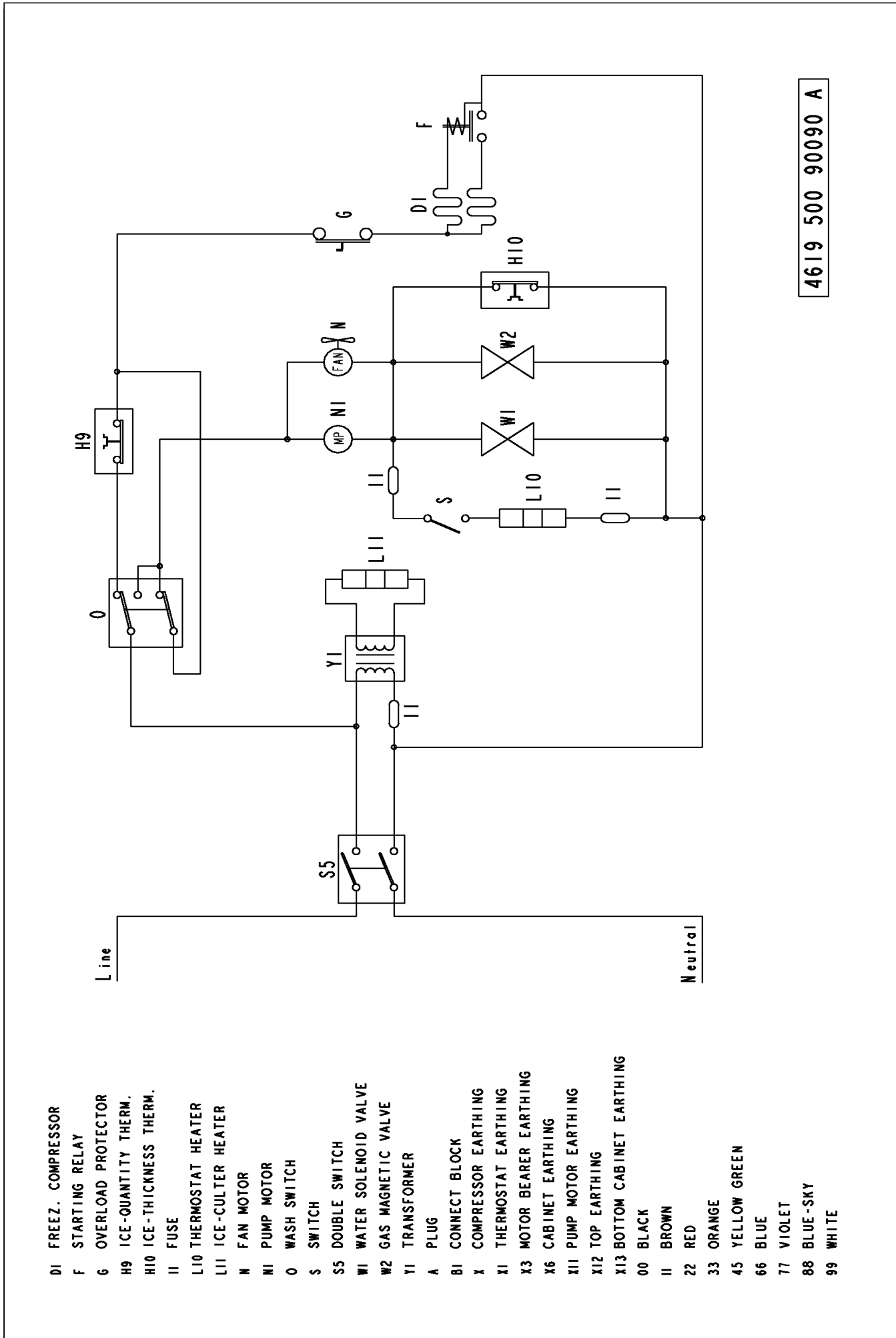
**Exploded view**



## Circuit and Wiring diagram



**Circuit and Wiring diagram**



4619 500 90090 A

- D1 FREEZ. COMPRESSOR
- F STARTING RELAY
- G OVERLOAD PROTECTOR
- H9 ICE-QUANTITY THERM.
- H10 ICE-THICKNESS THERM.
- II FUSE
- L10 THERMOSTAT HEATER
- L11 ICE-CULTER HEATER
- N FAN MOTOR
- N1 PUMP MOTOR
- O WASH SWITCH
- S SWITCH
- S5 DOUBLE SWITCH
- W1 WATER SOLENOID VALVE
- W2 GAS MAGNETIC VALVE
- Y1 TRANSFORMER
- A PLUG
- B1 CONNECT BLOCK
- X COMPRESSOR EARTHING
- X1 THERMOSTAT EARTHING
- X3 MOTOR BEARER EARTHING
- X6 CABINET EARTHING
- X11 PUMP MOTOR EARTHING
- X12 TOP EARTHING
- X13 BOTTOM CABINET EARTHING
- 00 BLACK
- 11 BROWN
- 22 RED
- 33 ORANGE
- 45 YELLOW GREEN
- 66 BLUE
- 77 VIOLET
- 88 BLUE-SKY
- 99 WHITE