

# SPARES DIAGRAMS AND STOCK CODES PREMIUM RANGE

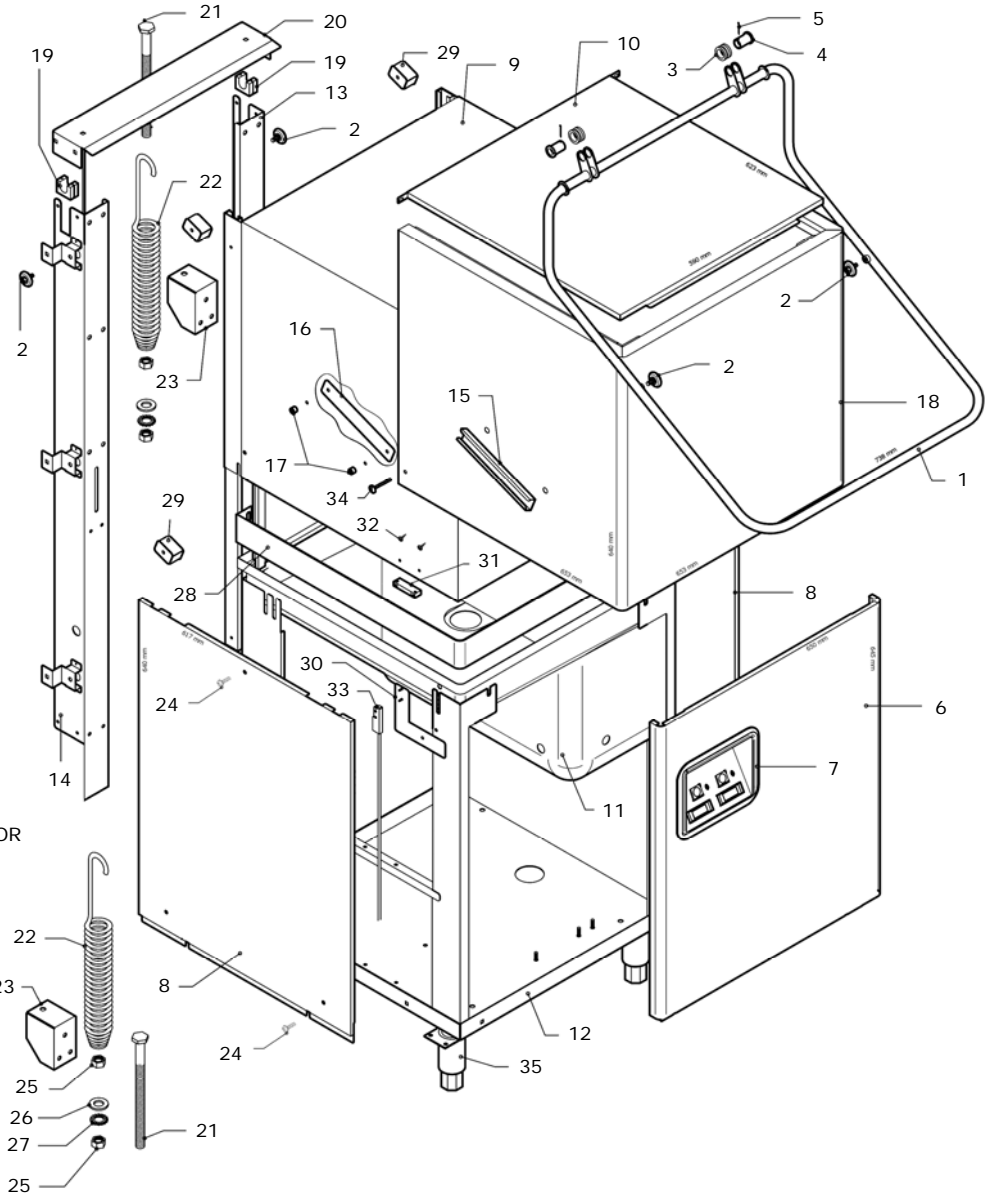
DC SERIES FROM 2003



DC1000  
DC1000-A  
DC1000-WP  
DC1000-A,WP

POS CODE DESCRIPTION

1	908728	HANDLE HOOD W=738mm
2	908704	BEARING-WHEEL
3	906066	BEARING-COLLOR-REAR-HANDLE
4	904796	PIN-BEARING-REAR-HANDLE
5	907773	SPLIT PIN-FOR BEARING
6	908650	PANEL-LOWER FRONT
7	908657	PANEL-CONTROL INSERT
8	908652	PANEL-SIDE-LH & RH
9	908513	HOOD-INNER TANK-CURVED
10	908654	PANEL-TOP COVER
11	908571	TANK
12	908501	STRUCTURE-LOWER BASE
13	908508	STRUCTURE-RH-SUPPORT
14	908509	STRUCTURE-LH-SUPPORT
15	908511	GUIDE-BEARING -HANDLE
16	908512	PLATE-BEARING GUIDE
17	908726	SPACER-BEARING HANDLE GUIDE
18	908653	PANEL-HOOD COVER-CURVED
19	908703	BEARING-NYLON-WHITE-HANDLE
20	908510	PANEL-BACK BRACE
21	902377	BOLT-SPRING
22	904137	SPRING-HOOD
23	950316	SUPPORT-BRACKET-SPRINGS
24	907862	SCREW BOLT-PANEL FIXING
25	902035	NUT-M10
26	906055	WASHER-M10
27	905941	WASHER/SPRING-M10
28	908649	PANEL-WASH TANK RIM
29	929510	BUSH-RUBBER END STOP
30	908504	BRACKET-REED SWITCH SUPPORT
31	908706	DOOR MAGNET
32	907654	SCREW-DOOR MAGNET FIXING
33	TR0666	SWITCH-REED PLASTIC CASE-SENSOR
34	928223	SCREW BOLT-M5x20mm
35	TR0860	FOOT-ADJUSTABLE

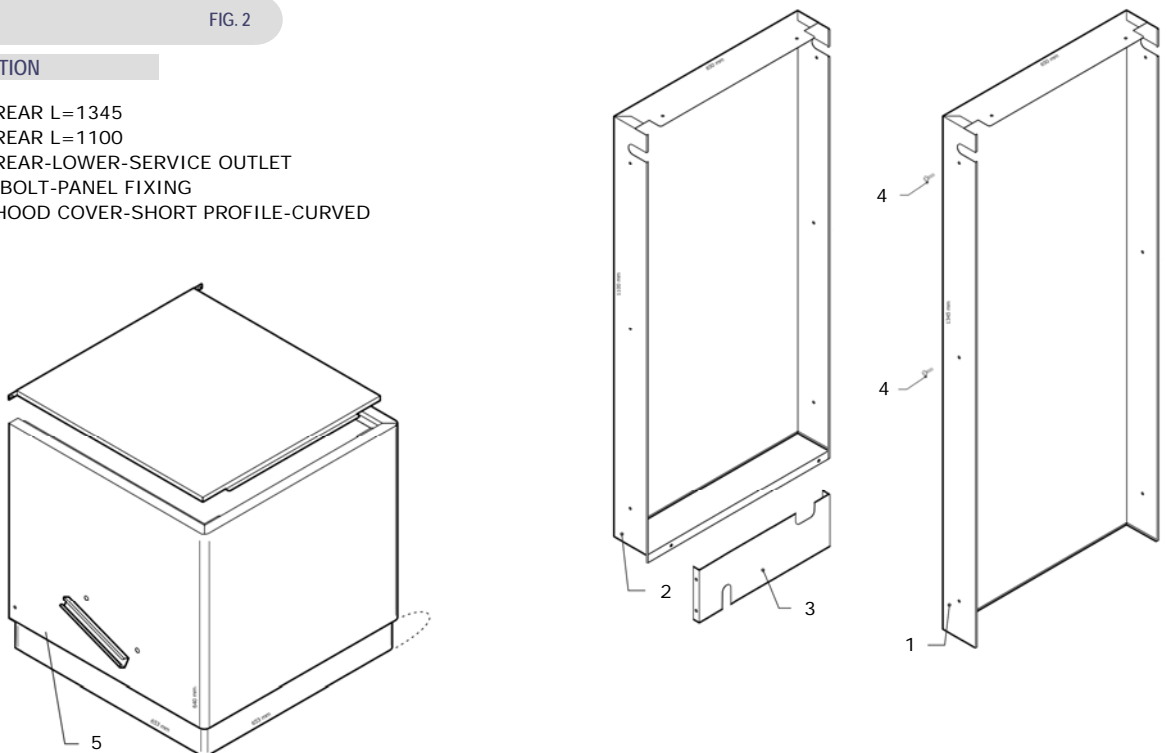


DC1000

FIG. 2

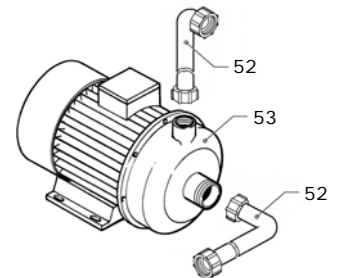
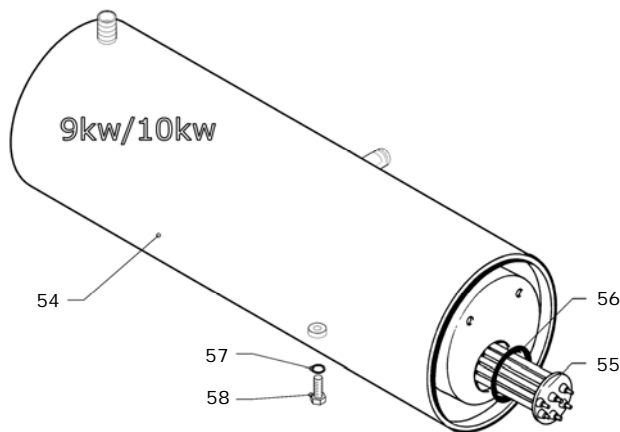
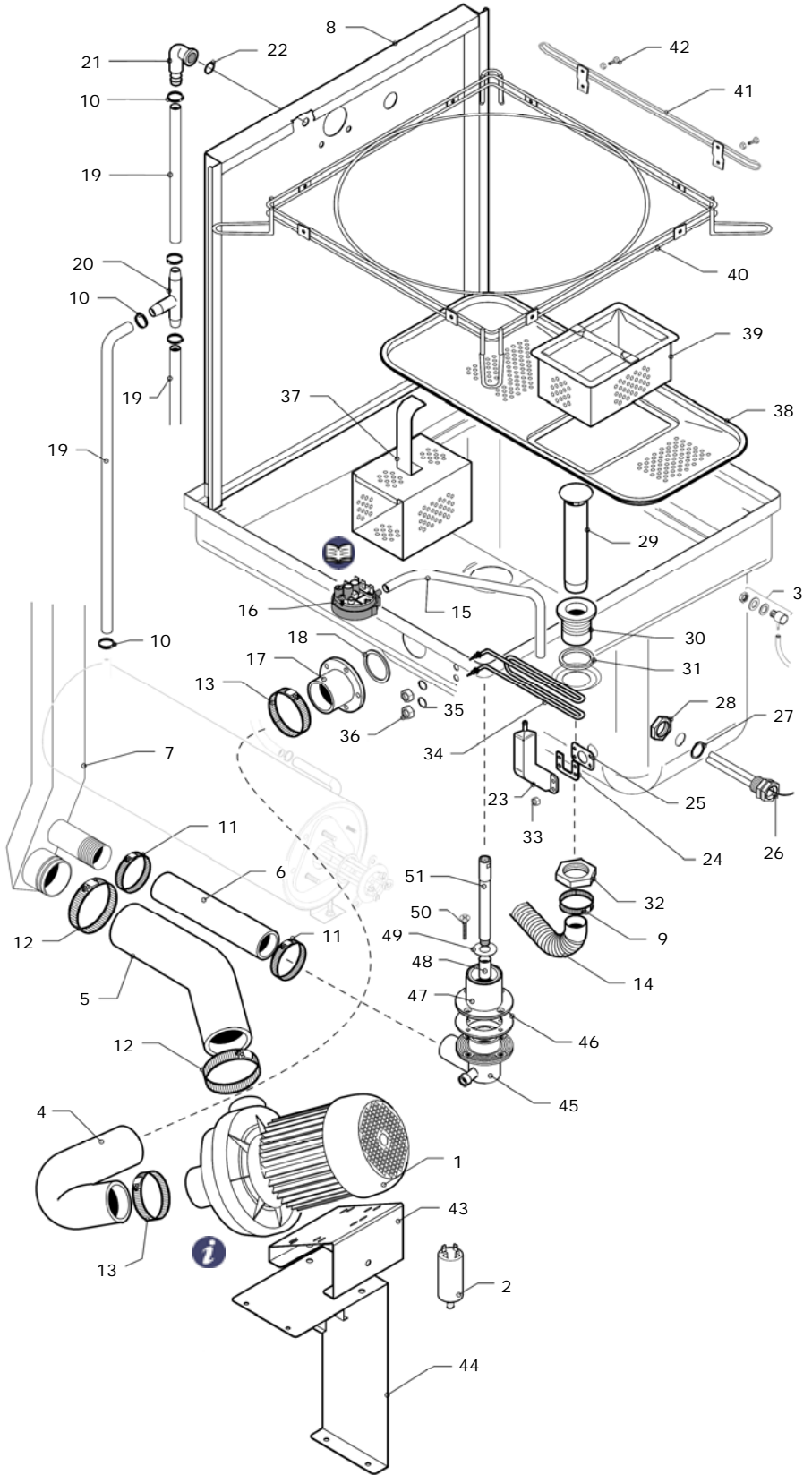
POS CODE DESCRIPTION

1	908655	PANEL-REAR L=1345
2	908656	PANEL-REAR L=1100
3	908670	PANEL-REAR-LOWER-SERVICE OUTLET
4	907862	SCREW BOLT-PANEL FIXING
5	928653	PANEL-HOOD COVER-SHORT PROFILE-CURVED



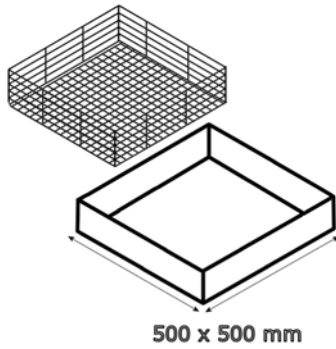
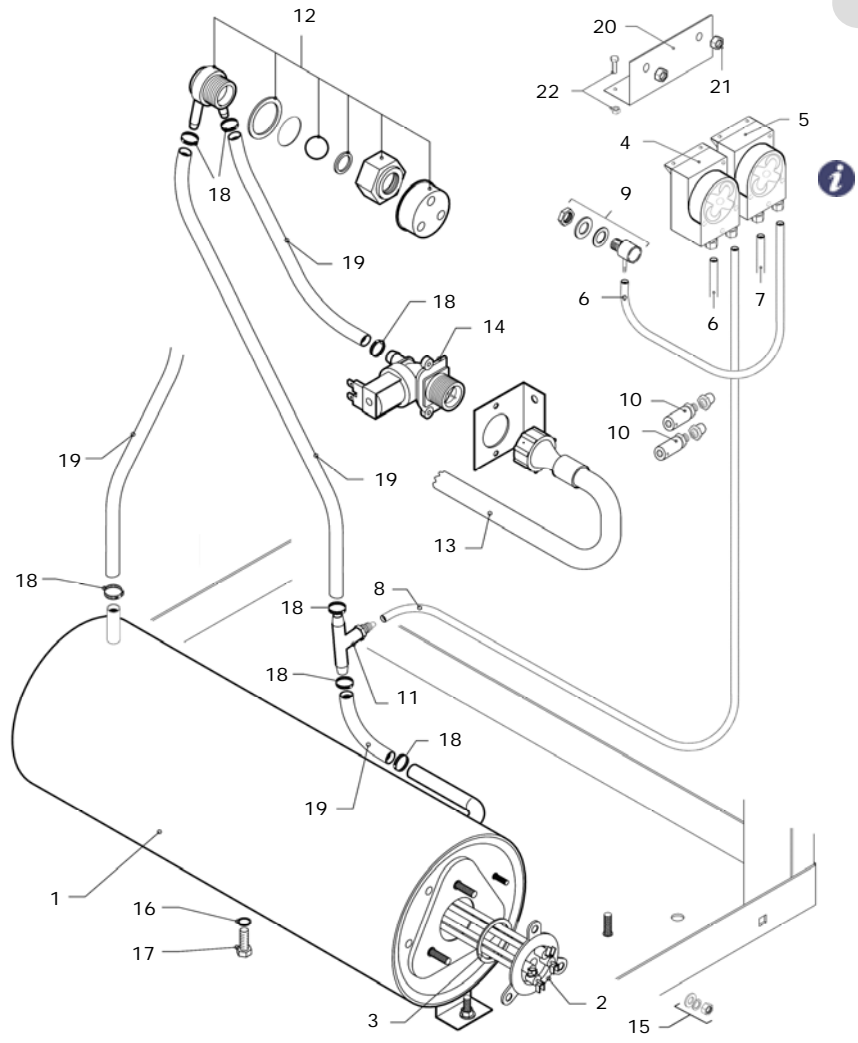
POS CODE DESCRIPTION

- 1 902293 PUMP WASH 0.60 kw
- 2 901740 CAPACITOR-12.5 uf
- 3 902366 ELBOW-FITTING-DETERGENT
- 4 927740 HOSE-PUMP INLET
- 5 927741 HOSE-PUMP OUTLET
- 6 908712 HOSE-WASH-CONNECTING
- 7 908729 WASH STRUCTURE-S/STEEL-REAR
- 8 908507 REAR FRAME WORK
- 9 902460 CLIP 26-38/SIZE 38
- 10 902440 CLIP 13-20/SIZE 20
- 11 902441 CLIP 38-50/SIZE 50
- 12 902480 CLIP 44-56/SIZE 56
- 13 902490 CLIP 58-75/SIZE 75
- 14 907451 HOSE-WASTE D=32.0
- 15 907279 TUBE-CLEAR-SILICON
- 16 905271 PRESSURE SWITCH-133/63
- 17 901653 HOUSING-PUMP INLET-EXT
- 18 904395 GASKET-HOUSING INLET
- 19 907295 HOSE-RINSE 12x19.5
- 20 905382 TEE-HOSE RINSE HOSE/EQUAL TEE
- 21 905453 ELBOW-HUB-UPPER-GREY PLASTIC
- 22 903351 GASKET-FIBER/ELBOW
- 23 907254 AIR TRAP H=145 EXTERIOR
- 24 907926 PLATE-FIXING-AIR TRAP-EXTERIOR
- 25 903261 GASKET-AIR TRAP-EXTERIOR
- 26 TR0298 PROBE-HOUSING-DOUBLE-THERMOSTAT
- 27 903250 GASKET-PROBE 1/2"
- 28 902061 NUT-PROBE 1/2"
- 29 907329 DRAIN PLUG H=245mm
- 30 905450 HOUSING-DRAIN PLUG 1 1/4"
- 31 904380 GASKET-HOUSING INLET
- 32 902080 NUT-HOUSING-PUMP INLET
- 33 901991 NUT-M4/LOCK NUT
- 34 905748 ELEMENT-WASH TANK 3.000 kw+0-RINGS
- 35 904391 O-RING-WASH TANK ELEMENT
- 36 923393 NUT-BRASS-ELEMENT FIXING
- 37 906706 FILTER-SLIDE BOX
- 38 906703 FILTER SURFACE + HOLE FOR CONTAINER
- 39 906704 FILTER CONTAINER-SCRAPS
- 40 908708 TRACK-FOR BASKET-NESTING-ROUND
- 41 927098 GUARD-BASKET TRACK
- 42 927099 BOLT+NUT-GUARD-BASKET TRACK
- 43 908503 BRACKET-BASE-PUMP SUPPORT
- 44 908502 BRACKET-BASE
- 45 905449 HUB INLET HOUSING-UPPER/LOWER
- 46 908141 GASKET-HUB-UPPER/LOWER
- 47 905388 HUB-LOWER-PLASTIC-PART ASSEMBLY
- 48 908456 SLEVE-REDUCING-S/STEEL
- 49 906002 WASHER-HUB-LOWER
- 50 929400 BOLT-HUB-LOWER
- 51 908705 WASH PIN-HUB-LOWER
- 52 907345 HOSE-MAINS WATER INLET-L=2000
- 53 902350 PUMP-RINSE BOOSTER EXTERNAL-BPE
- 54 900931 BOILER 9kw/10kw-535x175
- 55 920931 BOILER-9kw/10kw "A" 535x175
- 56 TR0320 ELEMENT-BOILER-9kw
- 57 TR0200 O-RING BOILER ELEMENT 9kw/10kw
- 58 904430 O-RING-DRAIN BOLT-BOILER
- 907820 DRAIN BOLT-BOILER M-8 x 12



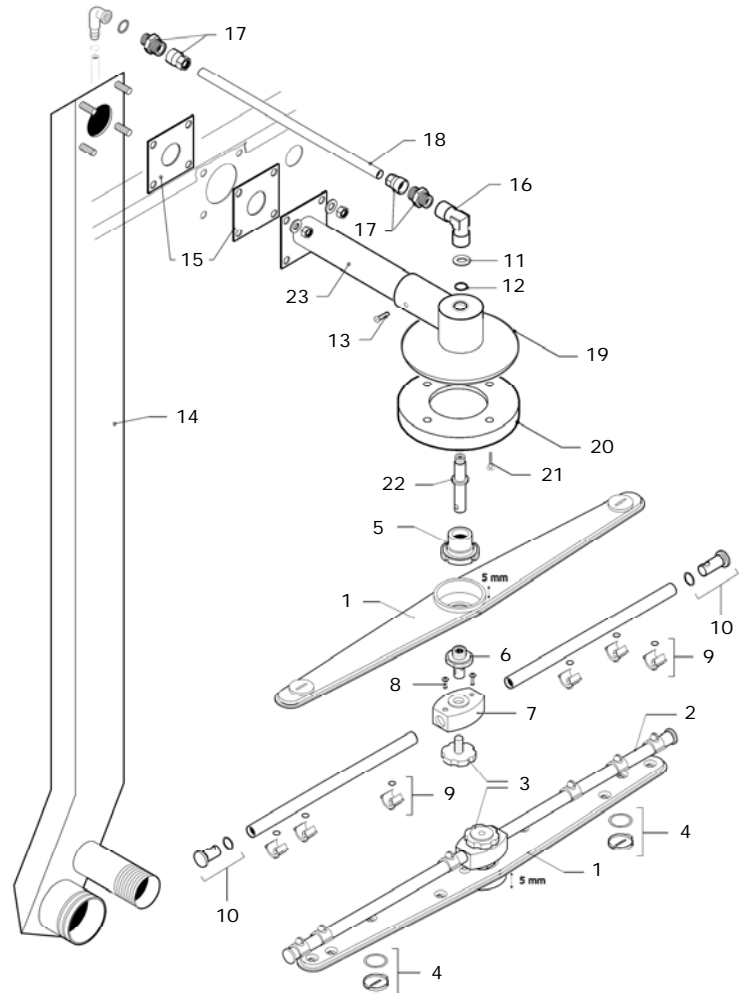
POS CODE DESCRIPTION

1	900485	BOILER-6kw-535x160mm
2	905571	ELEMENT-BOILER 6.000kw + O-RING
3	907981	O-RING-BOILER ELEMENT
4	922344	PUMP RINSE AID-PERISTALTIC-G302
5	922340	PUMP DETERGENT-PERISTALTIC-G300
6	907270	TUBE-CLEAR
7	907274	TUBE-DETERGENT-RED
8	907279	TUBE-CLEAR-SILICON
9	902366	ELBOW-FITTING-DETERGENT
10	906621	WEIGHT/FILTER UNIT-COMBINED
11	908150	TEE-RINSE AID + NON RETURN VALVE
12	TR2433	VALVE-NON RETURN-ANTI SYPHON
13	907345	HOSE-MAINS WATER INLET-L=2000
14	902390	SOLENOID VALVE-1 WAY
15	923392	NUT-SET/ELEMENT FIXING
16	904430	O-RING-DRAIN BOLT-BOILER
17	907820	DRAIN BOLT-BOILER M-8 x 12
18	902440	CLIP 13-20/SIZE 20
19	907295	HOSE-RINSE 12x19.5
20	927094	BRACKET
21	902010	NUT-M6
22	927099	BOLT+NUT-M4x10



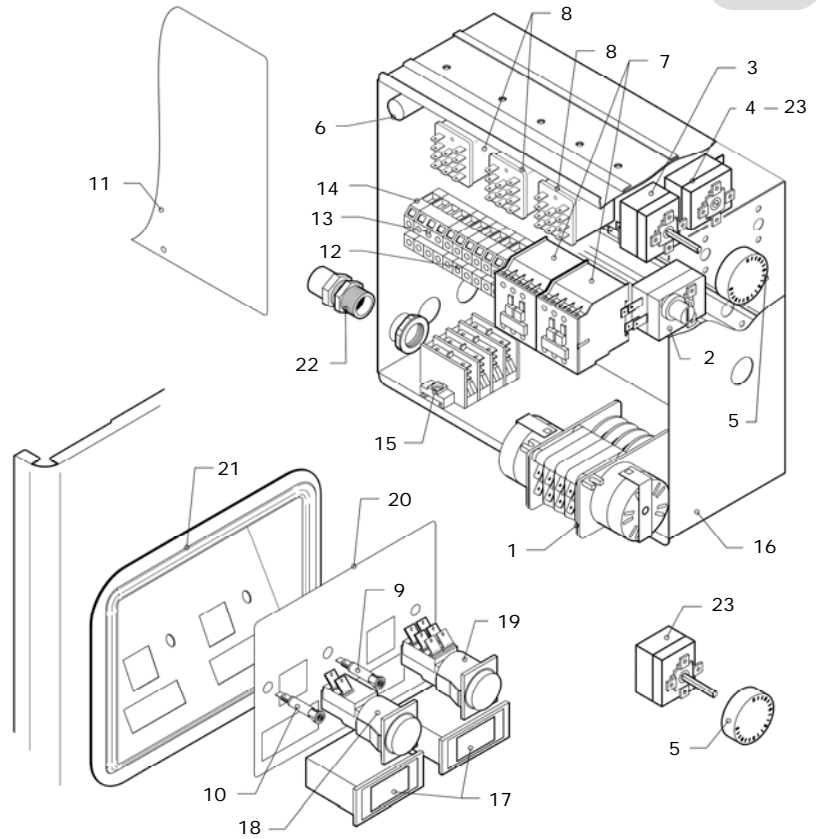
POS CODE DESCRIPTION

1	923107	WASH ARM-COMPLETE -5mm RIM
2	903017	RINSE ARM-COMPLETE
3	902880	NUT-RINSE ARM-PLASTIC
4	906445	INSPECTION CLEANING CAP + O-RING
5	904277	BOSS + NUT/WASH ARM
6	904760	RINSE PIN-S/STEEL
7	904292	BOSS-RINSE ARM
8	907651	SCREW-4x8mm-S/STEEL-BOSS RINSE ARM
9	902816	JET-RINSE + O-RING
10	906451	END CAP-RINSE ARM + O-RING
11	903351	GASKET-FIBER/ELBOW
12	904390	O-RING-GASKET-HUB-UPPER
13	929405	SCREW-HUB UPPER FIXING
14	908729	WASH STRUCTURE-S/STEEL-REAR
15	903381	GASKET-WASH ARM STRUCTURE
16	908120	ELBOW-HUB-UPPER S/STEEL 1/4"
17	908121	PIPE FITTING + OLIVE FITTING-NYLON TUBE
18	908888	TUBE-DELIVERY RINSE-NYLON-D=10x8xL=400mm
19	908700	HUB-UPPER + O-RING
20	902184	FLANGE-INT-HUB UPPER
21	907731	BOLT-S/STEEL-M6x12
22	908707	WASH PIN L=82mm
23	908733	WASH ARM PIPE/STRUCTURE



POS CODE DESCRIPTION

1	907182	TIMER UNIT-2 + 3 MINUTE
2	907125	THERMOSTAT-SAFETY 90-110c
3	907110	THERMOSTAT-BOILER-COPPER PROBE 0-90c
4	907120	THERMOSTAT-WASH TANK COPPER PROBE 60c
5	903982	DIAL CONTROL-THERMOSTAT
6	902105	NOISE FILTER-SUPPRESSOR
7	907045	CONTACTOR 9a /250 v
8	905479	RELAY 11-PIN
9	903629	LAMP-AMBER
10	903632	LAMP-GREEN
11	928652	PANEL-FRONT COVER-CABINET
12	TR0319	TERMINAL BLOCK-MAINS CLIP ON-1 PIN
13	TR3178	TERMINAL BLOCK-MAINS CLIP ON-3 PIN
14	904163	TERMINAL BLOCK-EARTH CLIP ON-1 PIN
15	955068	TERMINAL REDIRECT-INTERNAL
16	908505	CABINET-ELECTRICAL-S/STEEL
17	907090	THERMOMETER DISPLAY
18	905325	SWITCH-ON/OFF-2 PIN-BLUE
19	905329	SWITCH-TIME SELECT-6 PIN-BLUE
20	907064	PANEL-FACIA/GRAFIX-DC BLUE
21	908657	PANEL-CONTROL INSERT-S/STEEL
22	TR0139	CLAMP-CABLE-MAINS LEAD
23	907123	THERMOSTAT-WASH TANK-ADJUSTABLE

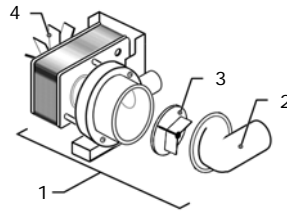


WASTE PUMP-PARTS



POS CODE DESCRIPTION

1	902348	PUMP-WASTE
2	922339	IMPELLOR HOUSING-WASTE PUMP
3	902097	IMPELLOR-WASTE PUMP
4	920031	FAN-WASTE PUMP

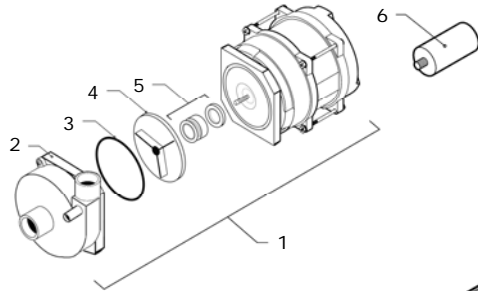


RINSE BOOSTER PUMP-PARTS



POS CODE DESCRIPTION

1	902235	RINSE BOOSTER PUMP 0.21 kw
2	902235A	IMPELLOR HOUSING
3	902235B	SEAL-IMPELLOR HOUSING
4	902235C	IMPELLOR
5	902235D	SEAL-INNER SHAFT
6	901744	CAPACITOR-6.3 uf

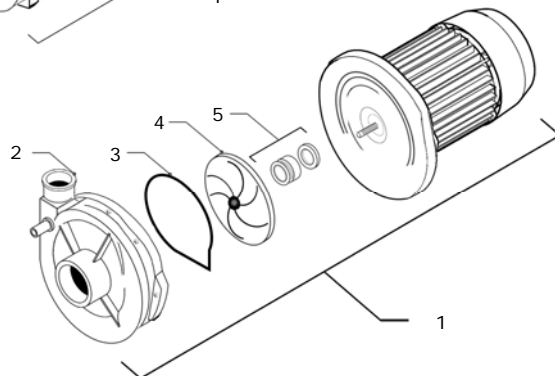


WASH PUMP-PARTS



POS CODE DESCRIPTION

1	902293	PUMP WASH
2	902293A	IMPELLOR HOUSING
3	902293B	SEAL-IMPELLOR HOUSING
4	902293C	IMPELLOR
5	902293D	SEAL-INNER SHAFT



PERISTALTIC PUMP-PARTS

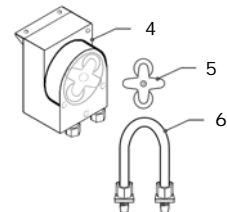
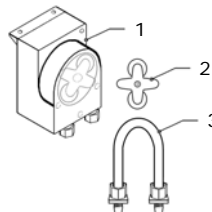


POS CODE DESCRIPTION

1	922344	PUMP RINSE AID-PERISTALTIC-G302
2	920091	ROTOR-PUMP-RINSE AID-GERMAC-G302
3	908323	PERISTALTIC TUBE RINSE AID-GERMAC-G302
4	922340	PUMP DETERGENT-PERISTALTIC-G300
5	920090	ROTOR-PUMP-DETERGENT-GERMAC-G300
6	907287	PERISTALTIC TUBE-PUMP DETERGENT-GERMAC-G300

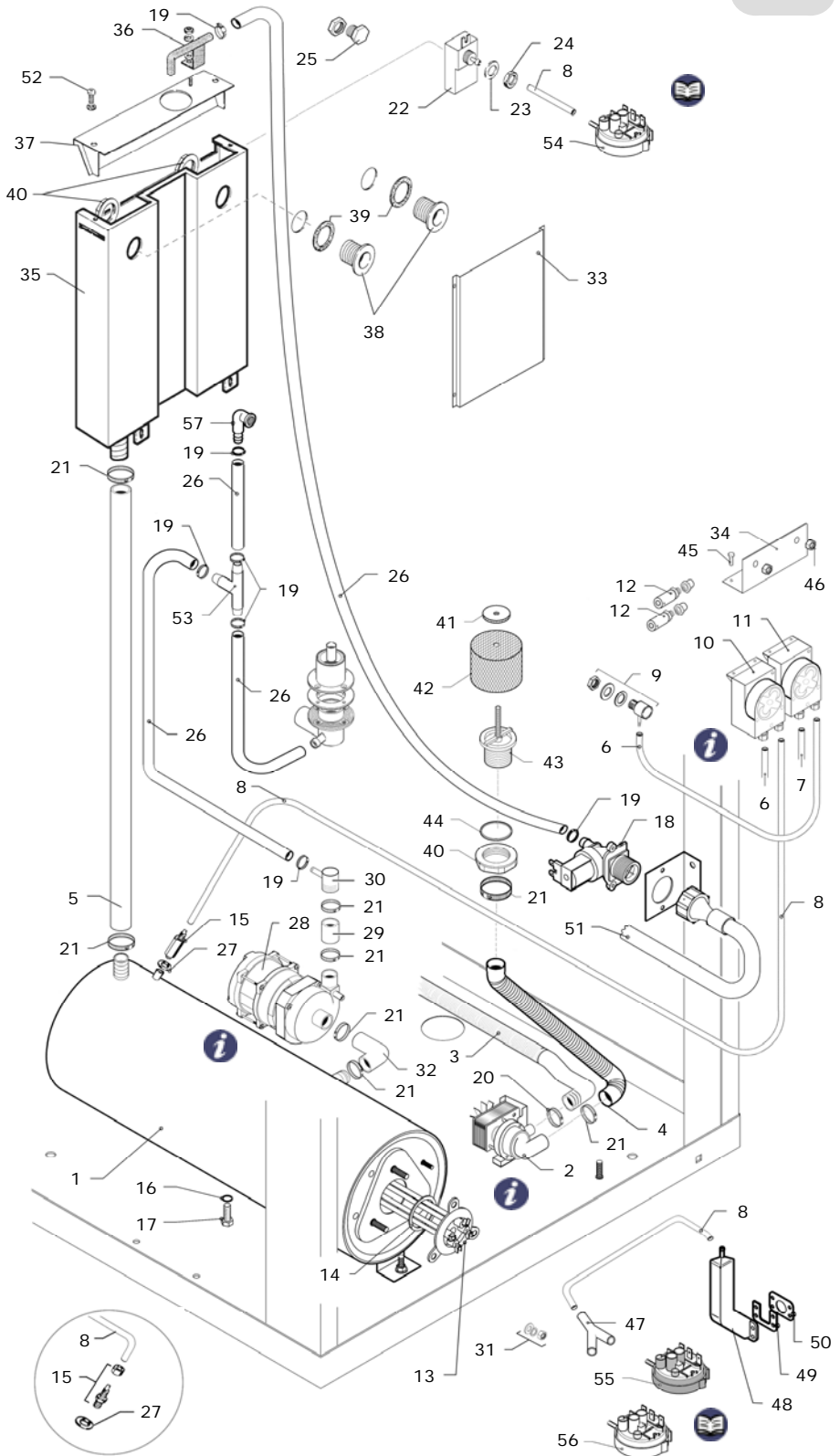
RINSE AID PUMP G302/GREEN

DETERGENT PUMP G300/GREEN



POS CODE DESCRIPTION

1	900494	BOILER-TYPE "A"
2	902348	PUMP-WASTE
3	907439	HOSE-WASTE D=18.5/L=2000
4	927441	HOSE-WASH TANK/WASTE PUMP
5	923675	HOSE-BREAK TANK HOSE TO BOILER
6	907270	TUBE-CLEAR
7	907274	TUBE-DETERGENT-RED
8	907279	TUBE-CLEAR-SILICON
9	902366	ELBOW-FITTING-DETERGENT
10	922344	PUMP RINSE AID-PERISTALTIC
11	922340	PUMP DETERGENT-PERISTALTIC
12	906621	WEIGHT/FILTER UNIT-COMBINED
13	905571	ELEMENT-BOILER 6.000 kw + O-RING
14	907981	O-RING-BOILER ELEMENT
15	920060	VALVE -NON RETURN-RINSE AID
15	906426	FITTING-RINSE AID-BRASS + NUT
16	904430	O-RING-DRAIN BOLT-BOILER
17	907820	DRAIN BOLT-BOILER M-8 x 12
18	902390	SOLENOID VALVE-1 WAY
19	902440	CLIP 13-20/SIZE 20
20	902454	CLIP 19-28/SIZE 28
21	902460	CLIP 26-38/SIZE 38
22	907252	AIR TRAP H=90-BREAK TANK
23	903260	GASKET-AIR TRAP 3/8"
24	902100	NUT 3/8"
25	927846	BLANK-BOLT-PLASTIC
26	907295	HOSE-RINSE 12x19.5
27	920061	GASKET-FIBER-NRV
28	902235	PUMP 0.21 kw-RINSE BOOSTER PUMP
29	903714	HOSE-R.B.P-OUTLET
30	901651	ELBOW-REDUCING-R.B.P S/STEEL
30	901652	ELBOW-REDUCING-R.B.P PLASTIC
31	923392	NUT-SET/ELEMENT FIXING
32	903713	HOSE-INLET-R.B.P RINSE BOOSTER PUMP
33	908562	COVER-BREAK TANK-OUTLET
34	952822	BRACKET-PERISTALTIC PUMP SUPPORT
35	900006	BREAK TANK-TYPE "A"
36	900002	TAP-OUTLET-BREAK TANK
37	920001	COVER-BREAK TANK-TOP
38	TR1234	HOUSING OVERFLOW-BREAK TANK
39	903325	GASKET-HOUSING OVERFLOW-BREAK TANK
40	902080	NUT-HOUSING
41	902850	NUT-FILTER-PLASTIC
42	904467	FILTER-BOWL/HOUSING PUMP~75x52mm
43	905380	HOUSING-PUMP INLET
44	904380	GASKET-HOUSING INLET
45	927099	BOLT+NUT-M4x10
46	902010	NUT-M6
47	905423	Y-PIECE PRESSURE SWITCH/TUBE
48	907254	AIR TRAP-EXTERIOR H=145
49	907926	PLATE-FIXING-AIR TRAP-EXTERIOR
50	903262	GASKET-AIR TRAP-EXTERIOR
51	907345	HOSE-MAINS WATER INLET-L=2000
52	907862	SCREW BOLT-FIXING
53	905382	TEE-HOSE RINSE HOSE/EQUAL TEE
54	905270	PRESSURE SWITCH-40/20-BREAK TANK
55	905271	PRESSURE SWITCH-133/63-WASH TANK
56	905275	PRESSURE SWITCH-35/90-WASTE PUMP
57	905453	ELBOW-HUB-UPPER-GREY PLASTIC

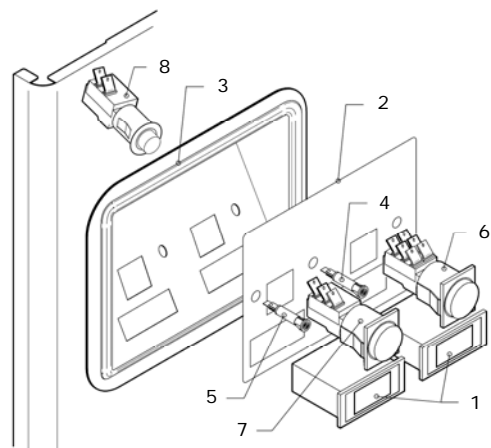


DC1000-A,WP

FIG. 8

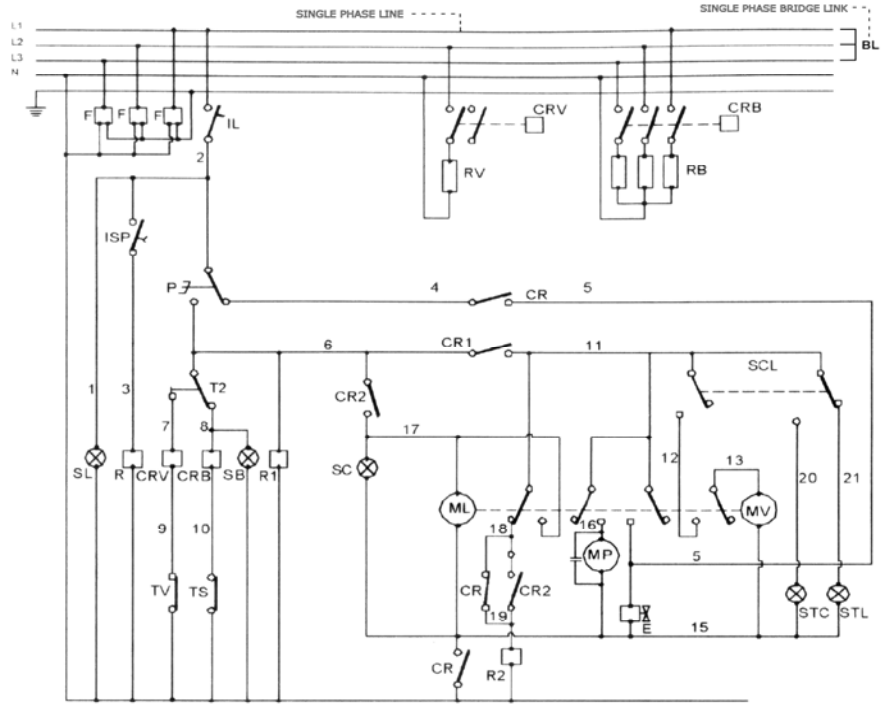
POS CODE DESCRIPTION

1	907090	THERMOMETER DISPLAY
2	907064	PANEL-FACIA/GRAFIX-DC BLUE
3	908657	PANEL-CONTROL INSERT-S/STEEL
4	903629	LAMP-AMBER
5	903632	LAMP-GREEN
6	905329	SWITCH-TIME SELECT-6 PIN-BLUE
7	905334	SWITCH-ON/OFF-3 PIN-WP-BLUE
8	905339	SWITCH-WASTE PUMP-SELECTOR-YELLOW



ELECTRICAL

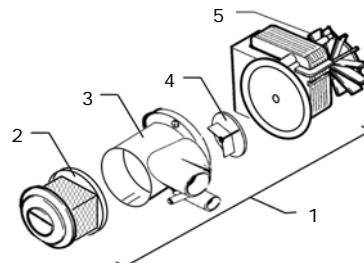
- CRB CONTROL SWITCH CONTACT
- CR / CR4 RELAY-AUXILIARYS CONTACT
- CRV WASH TANK CONTACTOR COIL
- E SOLENOID VALVE
- F NOISE FILTER
- IL ON/OFF SWITCH
- ISP DOOR SAFTY REED SWITCH
- ML TIMER MOTOR-2 MINS
- MV TIMER MOTOR-3 MINS
- P PRESSURE SWITCH WASH TANK
- MP WASH PUMP MOTOR
- R DOOR RELAY
- R1-R2 RELAY CONTACTS
- RB BOILER ELEMENT
- RV WASH TANK ELEMENT
- SB BOILER LAMP
- SC CYCLE LAMP
- SCL WASH CYCLE SELECTOR SWITCH
- SL ON/OFF LAMP
- STC 2 MINS CYCLE LAMP
- STL 3 MINS CYCLE LAMP/OPTIONAL
- T1 THERMOSTAT-WASH TANK
- T2 THERMOSTAT-BOILER
- TS THERMOSTAT-SAFTY-OVERLOAD



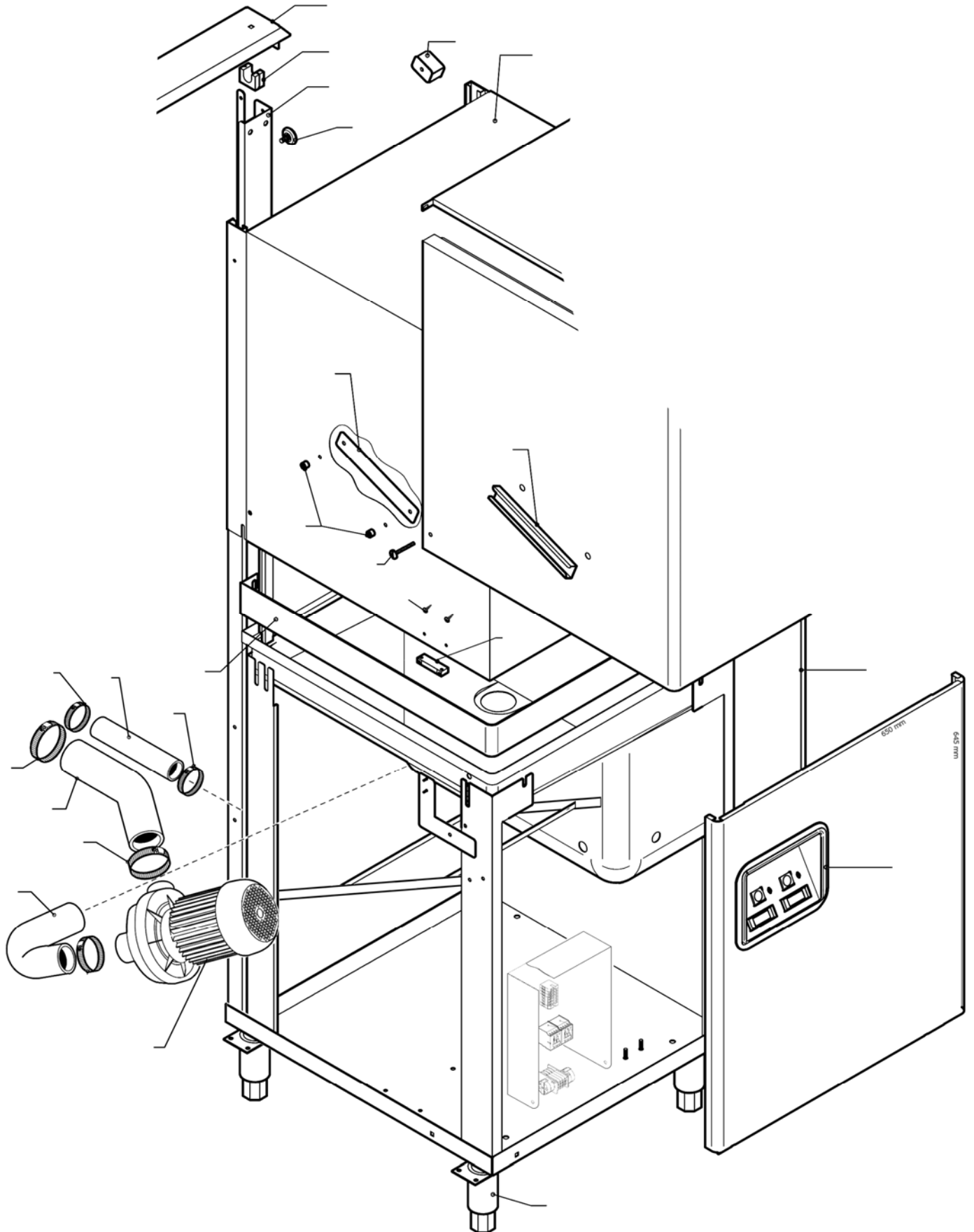
WASTE PUMP-PARTS v.2

FIG. 10

POS	CODE	DESCRIPTION
1	902341	PUMP-WASTE-FITTED FILTER ASSEMBLY
2	906431	FILTER ASSEMBLY-WASTE PUMP
3	902339	IMPELLOR HOUSING-FILTER-WASTE PUMP
4	902097	IMPELLOR-WASTE PUMP
5	920031	FAN-WASTE PUMP



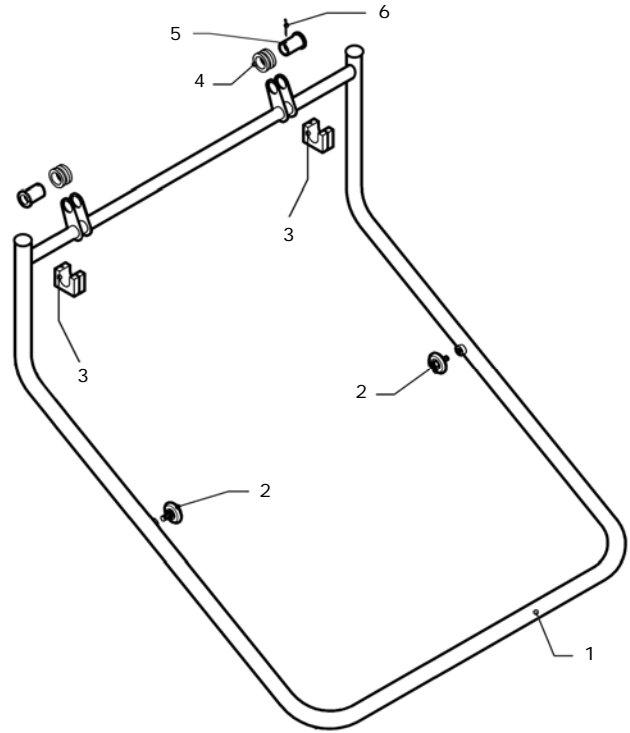
SEE PAGES 57-58





POS CODE DESCRIPTION FROM 2005

1	928728	HANDLE HOOD-CURVED-SQUARE BACK-2005
2	908704	BEARING-WHEEL
3	908703	BEARING-NYLON-WHITE-HANDLE
4	906066	BEARING-COLLOR-REAR-HANDLE
5	904796	PIN-BEARING-REAR-HANDLE
6	907773	SPLIT PIN-FOR BEARING



POS CODE DESCRIPTION FROM 2005

1	907182	TIMER UNIT-2 + 3 MINUTE
2	907125	THERMOSTAT-SAFETY 90-110c
3	907110	THERMOSTAT-BOILER-COPPER PROBE 0-90c
4	907120	THERMOSTAT-WASH TANK COPPER PROBE 60c
5	903982	DIAL CONTROL-THERMOSTAT
6	902105	NOISE FILTER-SUPPRESSOR
7	907045	CONTACTOR 9a /250 v
8	905479	RELAY 11-PIN
9	903629	LAMP-AMBER
10	903632	LAMP-GREEN
11	905339	SWITCH-WASTE PUMP-SELECTOR-YELLOW
12	TR0319	TERMINAL BLOCK-MAINS CLIP ON-1 PIN
13	TR3178	TERMINAL BLOCK-MAINS CLIP ON-3 PIN
14	904163	TERMINAL BLOCK-EARTH CLIP ON-1 PIN
15	955068	TERMINAL REDIRECT-INTERNAL
16	921075	CASE-ELECTRICAL-S/STEEL
17	907090	THERMOMETER DISPLAY
18	905325	SWITCH-ON/OFF-2 PIN-BLUE
18	905334	SWITCH-ON/OFF-3 PIN-WP-BLUE
19	905329	SWITCH-TIME SELECT-6 PIN-BLUE
20	907064	PANEL-FACIA/GRAFIX-DC BLUE
21	908657	PANEL-CONTROL INSERT-S/STEEL
22	922687	FAIRLEAD/CORE CABLE

