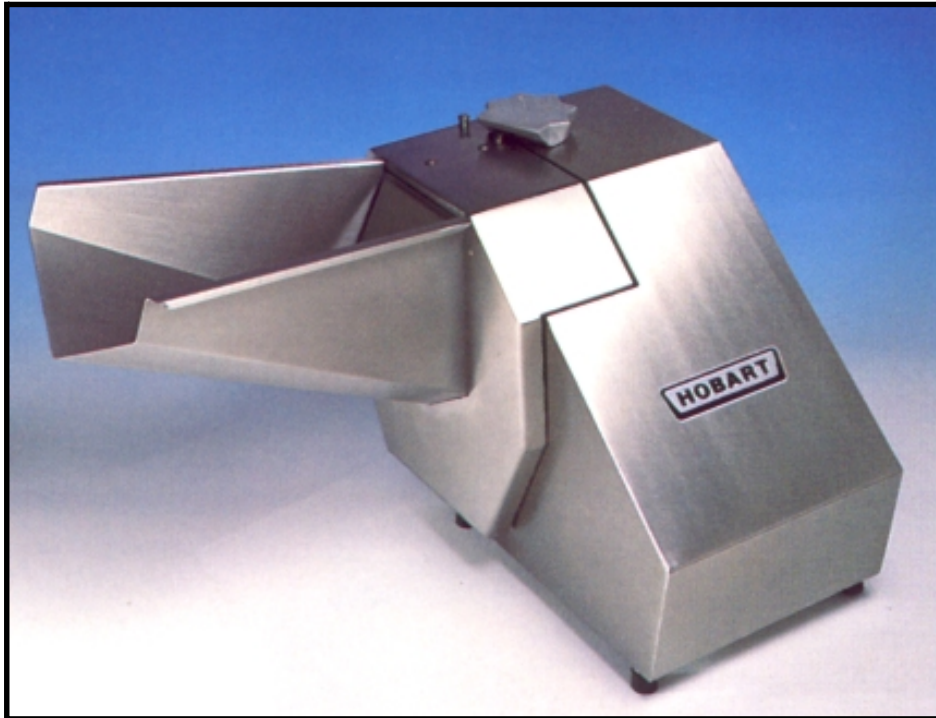




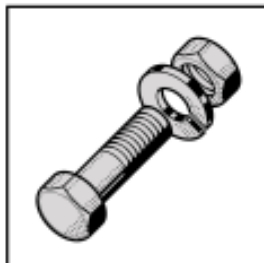
Food Preparation



EC 7040

CHIPPER

Spare Parts
Pièces Détachées
Ersatzteile
Onderdelen



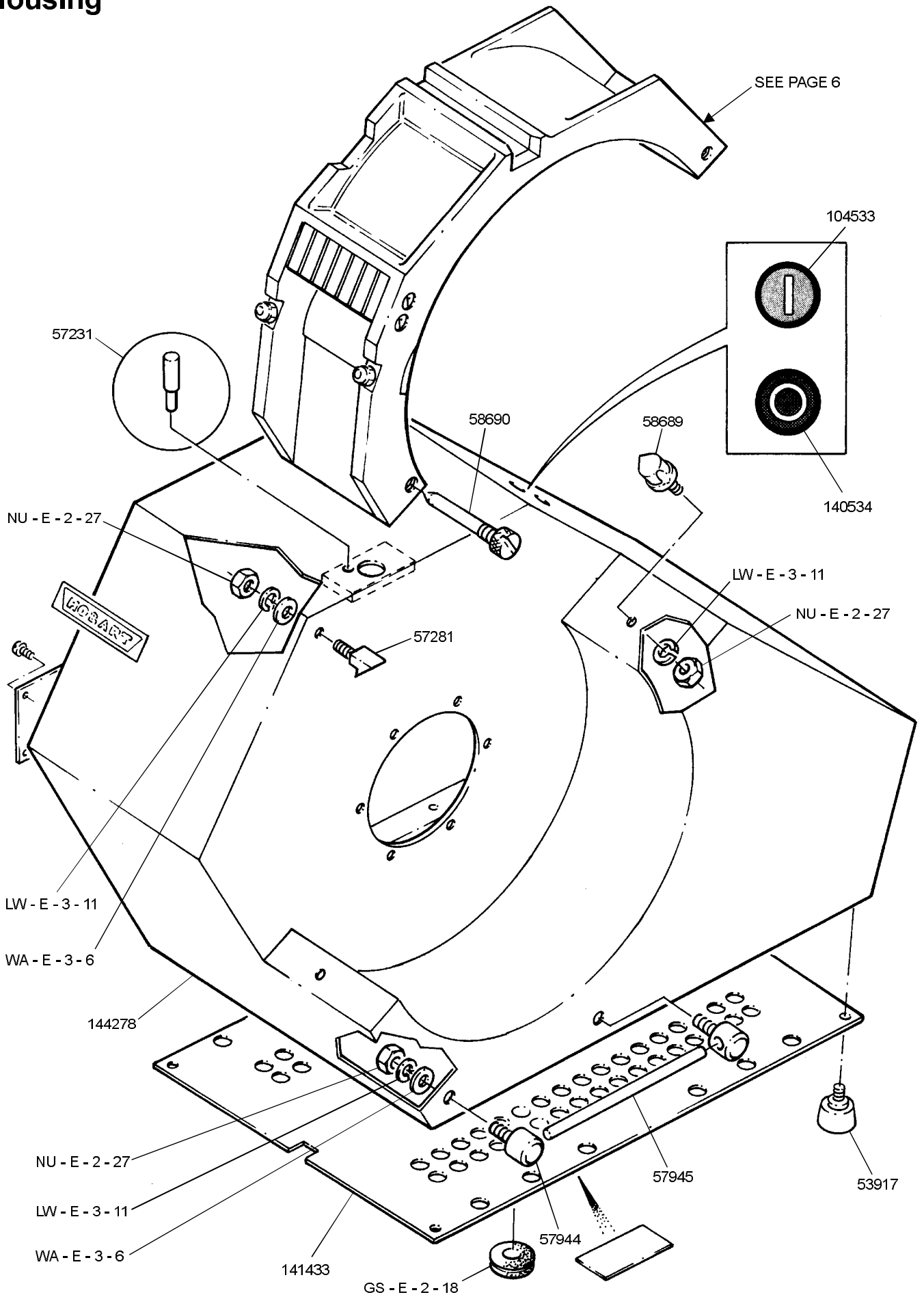
This document is the property of Hobart Manufacturing. Reproduction of this document is prohibited without the written consent of Hobart Manufacturing.

CONTENTS

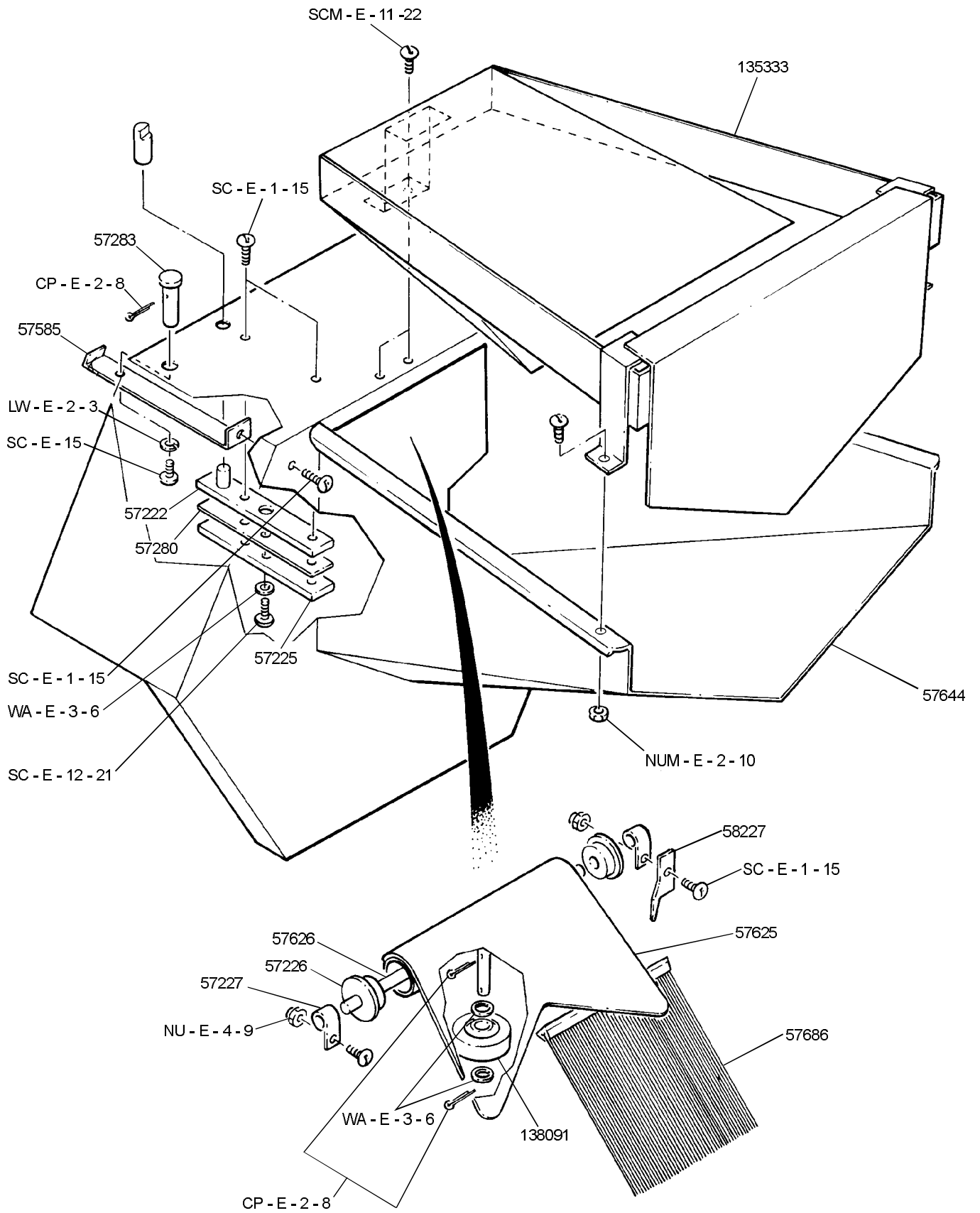
Housing	2
Hopper	3
Drum & Pulley	4
Motor & Electrics	5
Knife & Segments	6
Stand	7
Stand Assembly	8

HOBART

Housing

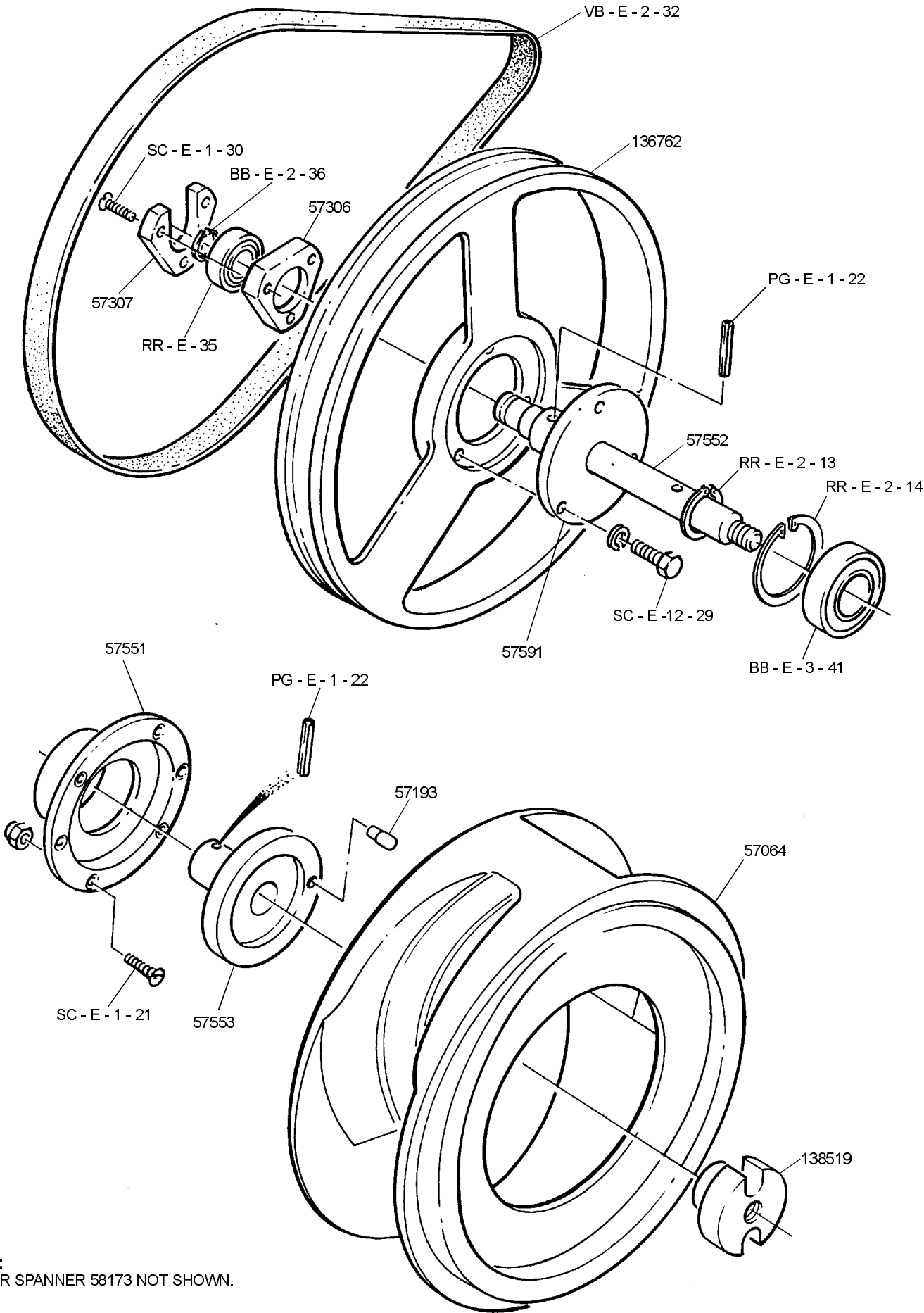


Hopper & Guard



HOBART

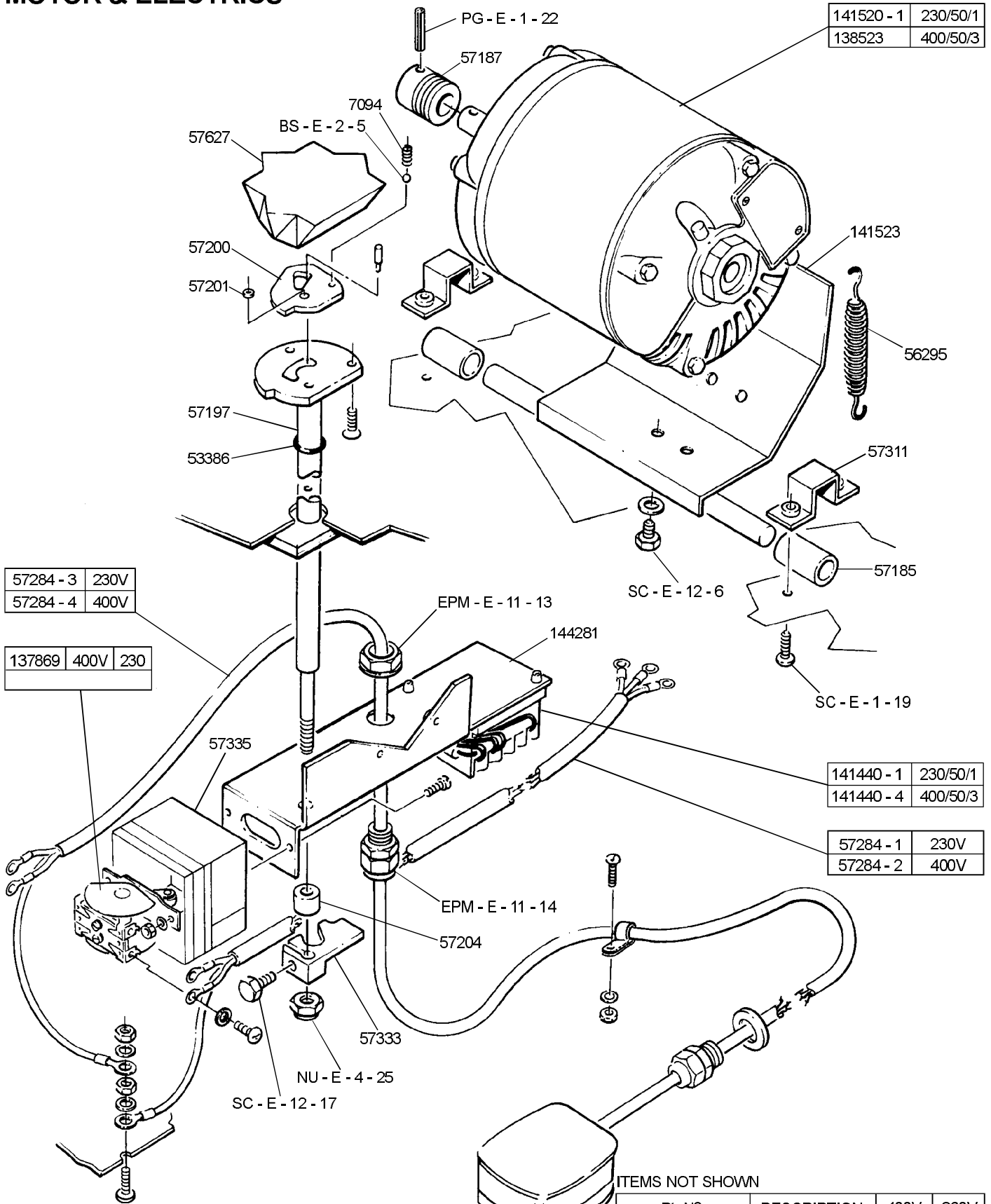
Pulley & Drum



NOTE:
ROTOR SPANNER 58173 NOT SHOWN.

EC 7040

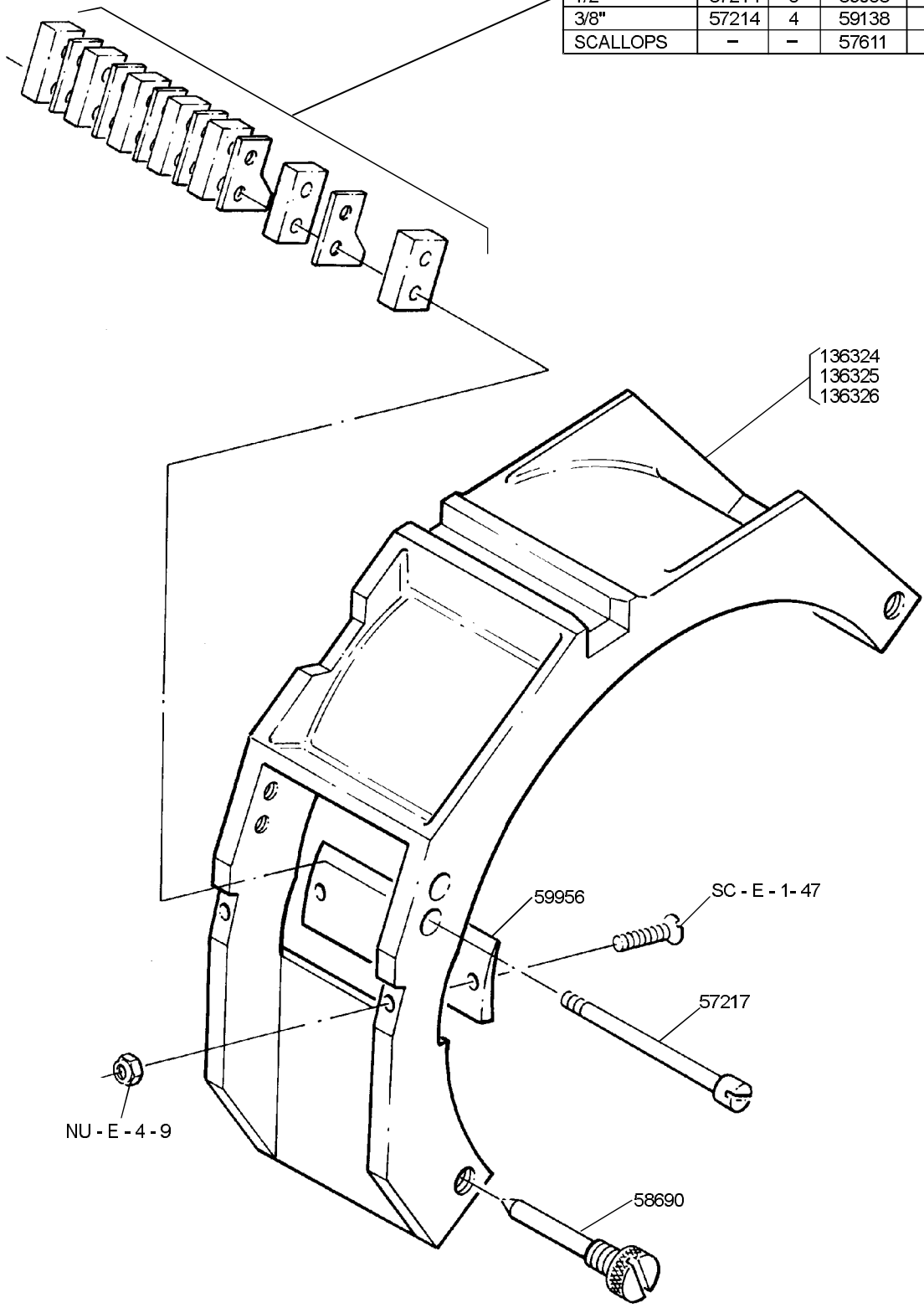
MOTOR & ELECTRICS





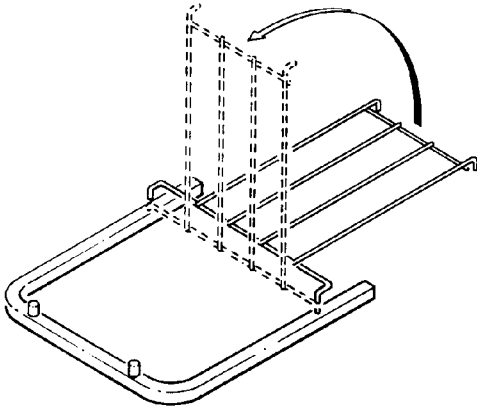
Knife & Segments

	KNIFE	QTY	SPACER	QTY	ASSY. NO
5/16" SMALL	57214	9	57611	10	59991
7/16" MEDIUM	57214	6	57610	7	59995
9/16" LARGE	57214	5	59051	6	59998
1/2"	57214	5	59035	6	59996
3/8"	57214	4	59138	5	59999
SCALLOPS	-	-	57611	10	59990

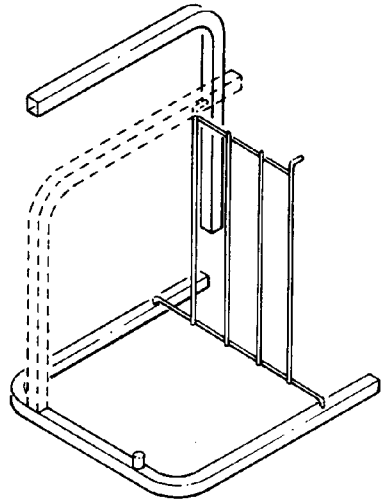


Stand Assembly

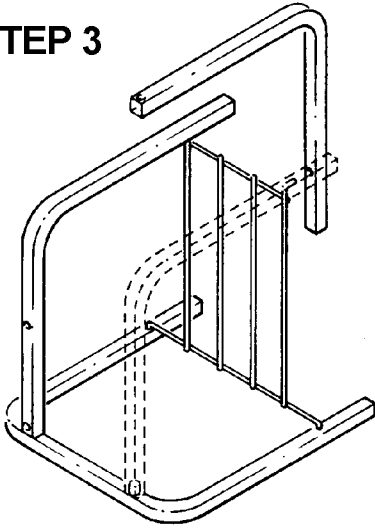
STEP 1



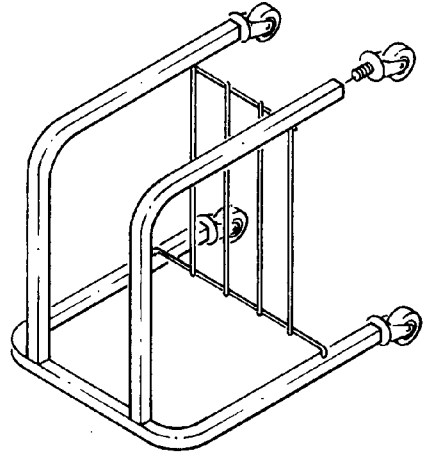
STEP 2



STEP 3



STEP 4



STEP 5

