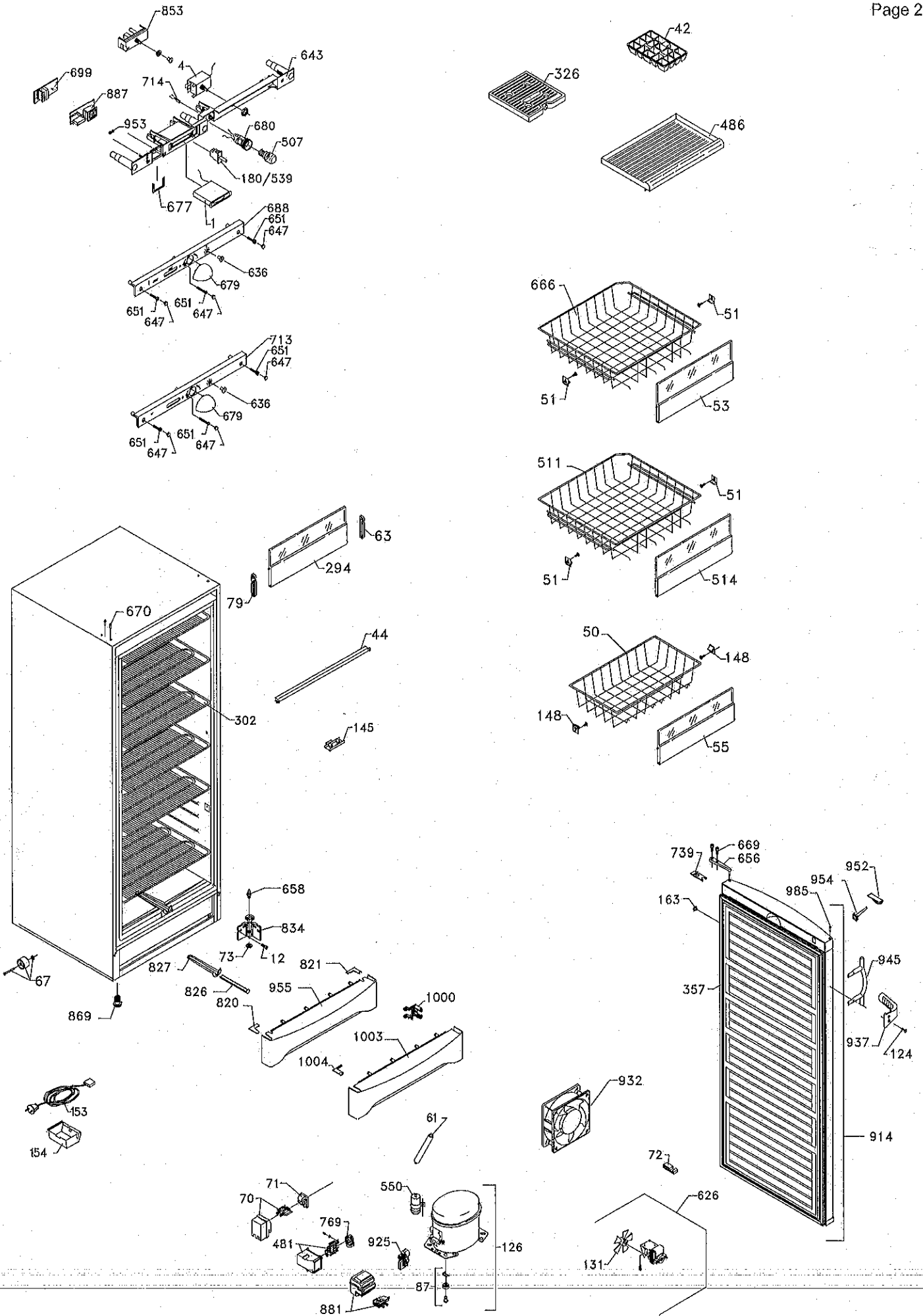


# Model: CFS 275

---

- GB** - Spare parts list - with price code
- D** - Ersatzteilliste - mit Preiskode
- F** - Liste des pieces detachees - avec code de prix
- E** - Lista de piezas de recambio - con código de precios
- NL** - Lijst van reservedelen - met prijscode
- DK** - Reservedelsliste - med priskode



Pos. No.	Code/Teil Del No.	GB Part	Price Code
0001	0-70386480101	Thermometer, freezer	0-G7
0004	0-7038351	Thermostat, freezer	0-Y5
0012	0-2038001	Screw	0-B2
0042	0-52382420101	Ice cube tray	0-G3
0044	0-5238293	Front edging for evaporator	0-N3
0050	0-6938201	Bottom basket	0-P4
0051	0-5238902	Slide shoe	0-P2
0055	0-A10302501	Front, low	0-B5
0061	0-6538053	Filter drier, 20 g	0-V3
0063	0-5238338	Suspension, right	0-Y2
0067	0-5235002	Castor, complete	0-D3
0073	0-2538196	Counter nut for hinge	0-V2
0079	0-5238337	Suspension, left	0-Y2
0087		Base plate fittings, set, complete - see compressor componen	
0124	0-20380890115	Screw, 4x12mm	0-A2
0126		Compressor complete R600a - see compressor components	
0145	0-5238186	Holder thermostat + -meterphial	0-T2
0148	0-5238116	Slide shoe	0-P2
0153	0-A129702	Mains lead	0-K4
0154	0-7038254	Cover for multiple plug	0-F3
0163	0-52381660201	Covering	0-A2
0180	0-70387100101	Switch	0-G3
0294	0-A10302402	Front, medium	0-T3
0302	0-A41100604	Evaporator	0-P10
0357	0-52383040128	Rubber fillet	0-E7
0486	0-52388556079	Drawer for ice cube trays	0-A4
0507	0-703812801	Bulb for light	0-M3
0511	0-6938145	Basket	0-P5
0514	0-A10302502	Front, medium	0-T3
0550		Condenser - see compressor components	
0636	0-52386820101	Thermostat knob	0-B2
0643	0-52386710301	Control panel	0-D3
0647	0-52386810101	Covering	0-B2
0651	0-2038067	Screw	0-B2
0656	0-A1040100102	Hinge	0-C3
0658	0-4838046	Pivot	0-B3
0666	0-6938210	Basket - deep	0-P5
0669	0-2038070	Screw	0-B2
0670	0-52386890101	Covering	0-A2
0677	0-5238683	Stop	0-A2
0679	0-52386840101	Reflector for lamp	0-X2
0680	0-7038264	Socket	0-P3
0688	0-52389970601	Cover plate for top panel	0-N3
0714	0-7038601	Thermal relay	0-A4
0820	0-52387380101	Hole plugs for bottom panel - Valid until week 50/2000	0-D2
0821	0-52387390101	Hole plugs for bottom panel - Valid until week 50/2000	0-D2
0826	0-52389170101	Extension for defrost water outlet	0-Y2
0827	0-52389180101	Drain for defrost water outlet	0-Y2
0834	0-5238909	Hinge - Valid until week 50/2000	0-G3
0869	0-5238956	Adjustable foot	0-P2
0881		Cover - see compressor components	
0887	0-7038775	Print for control panel	0-K4
0914	0-A5023080401	Door, freezer, complete	0-R9
0925		Starting device - see compressor components	
0945	0-5239008	Hand lever, complete	0-G4
0952	0-52390050292	Logo piece	0-F3
0953	0-52390160101	Cap for fast-freeze switch	0-D2
0954	0-5239006	Prism	0-P2
0955	0-52390070101	Bottom panel, skirting board - Valid until week 50/2000	0-F4
0985	0-52390710101	Covering	0-A2
1000	0-A1040100401	Hinge - Valid from week 50/2000	0-G3

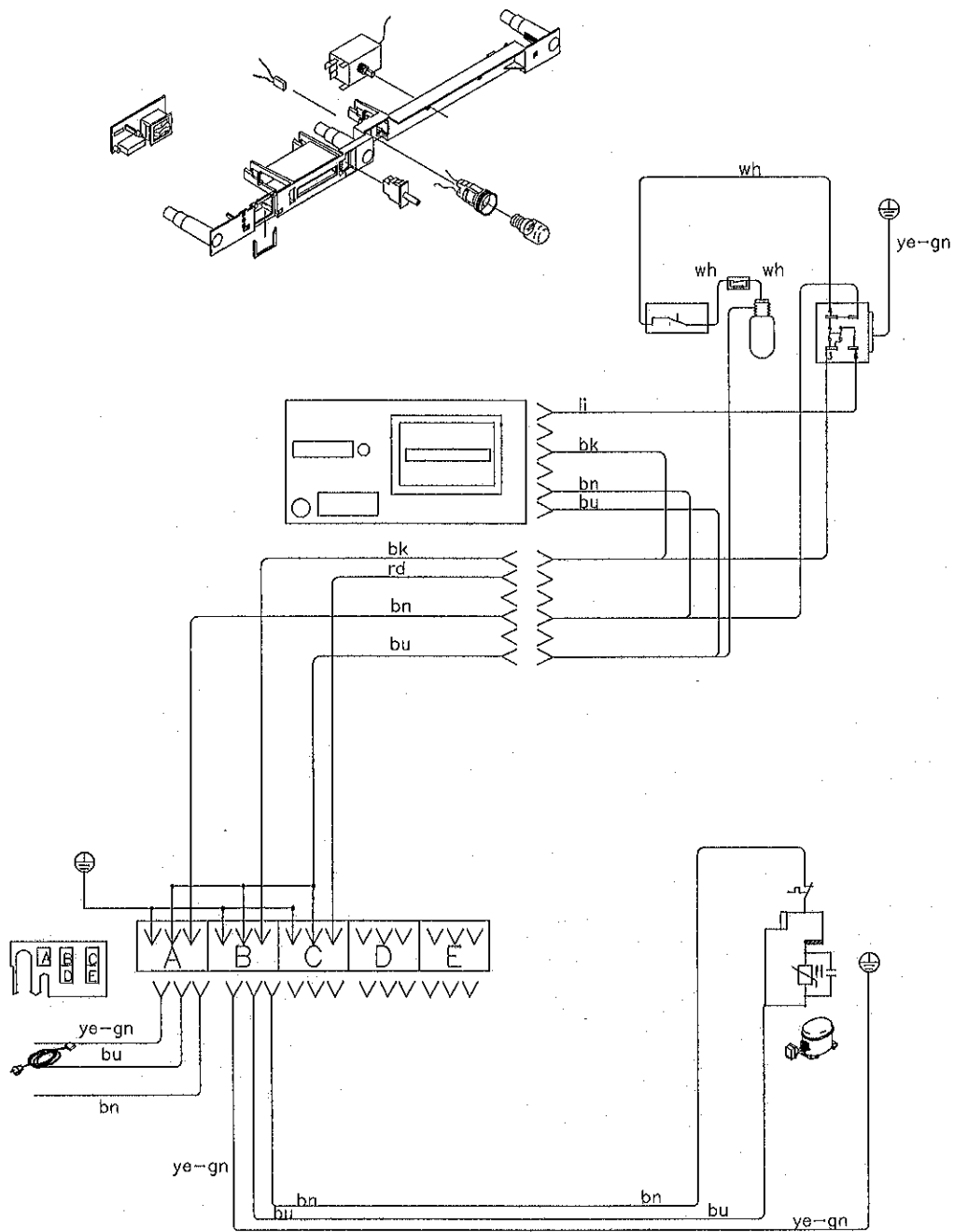
Pos. No.	Code/Teil Del No.	GB Part	Price Code
1003	0-52390070201	Bottom panel, skirting board-Valid from week 50/2000	0-F4
1004	0-52390260101	Hole plugs for bottom panel - Valid from week 50/2000	0-D2

This appliance is produced with the following compressores:

Pos. nr. 0126      DC 110 E

Please note!

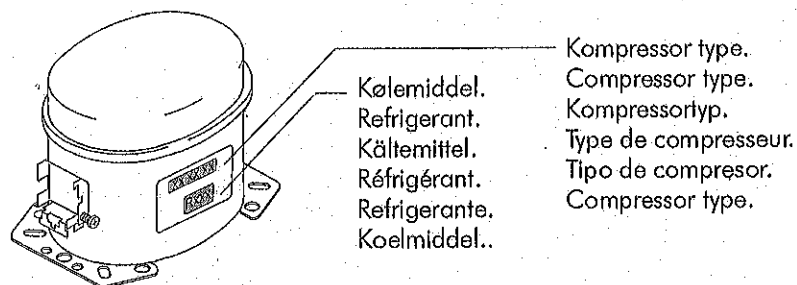
**The drawing covers all variants of the model and therefore contains more pos. numbers than your product. See the spare parts list for exact product specification.**



No.	-	Farvekode	Colour Code	Farbendefinition
1	bn	Brun	Brown	Braun
2	bu	Blå	Blue	Blau
3	bk	Sort	Black	Schwartz
4	li	Lilla	Lilac	Lila
5	ye-gn	Gul/Grøn	Yellow/green	Gelb/grün
6	wh	Hvid	White	Weiss
7	rd	Rød	Red	Rot

**General information.**  
**Allgemeine Information.**  
**Information générale.**  
**Información general.**  
**Algemeene informatie.**  
**Generel information.**

Information regarding compressors and accessories - see **compressor components**, QCS.07.14.-S.-2.-001.  
 Informationen bezüglich Kompressoren und Zubehör - siehe **Compressor Components**, QCS.07.14.-S.-2.-001.  
 Informations concernant compresseurs et accessoires - voyez **compressor components**, QCS.07.14.-S.-2.-001.  
 Informaciones sobre compresores y accesorios - véase **compressor components**, QCS.07.14.-S.-2.-001.  
 Informatie betreffende kompressoren en toebehoren -. Zien **compressor components**, QCS.07.14.-S.-2.-001.  
 Informationer vedrørende kompressorer og tilbehør - se **compressor components**, QCS.07.14.-S.-2.-001.



- N.B. : At all inquiries to Vestfrost about the unit the product number and the serial number must be stated.  
 NBI : Bei allen Anfragen bei Vestfrost wegen der Einheit sollen die Produktnummer und die Seriennummer angegeben werden.  
 N.B. : A toute démarche auprès de la Sté Vestfrost concernant des unités le numéro de produit et le numéro de série doivent être indiqués.  
 INotel: En caso de consultas a Vestfrost sobre el aparato hay que indicar el número del producto y el número de serie.  
 N.B.I : Bij allen contacten met Vestfrost betr. eenheden moeten productnr. + serienr. worden vermeld.  
 Obsl : Ved al henvendelse vedr. enheder til Vestfrost, oplyses produktnr og serienr.

Typeskilt  
 Rating plate  
 Typenschild  
 Plaque signalétique  
 Place de datos  
 Typeplaatje

