

Spare parts list



E106, E206, H506, D206, D506



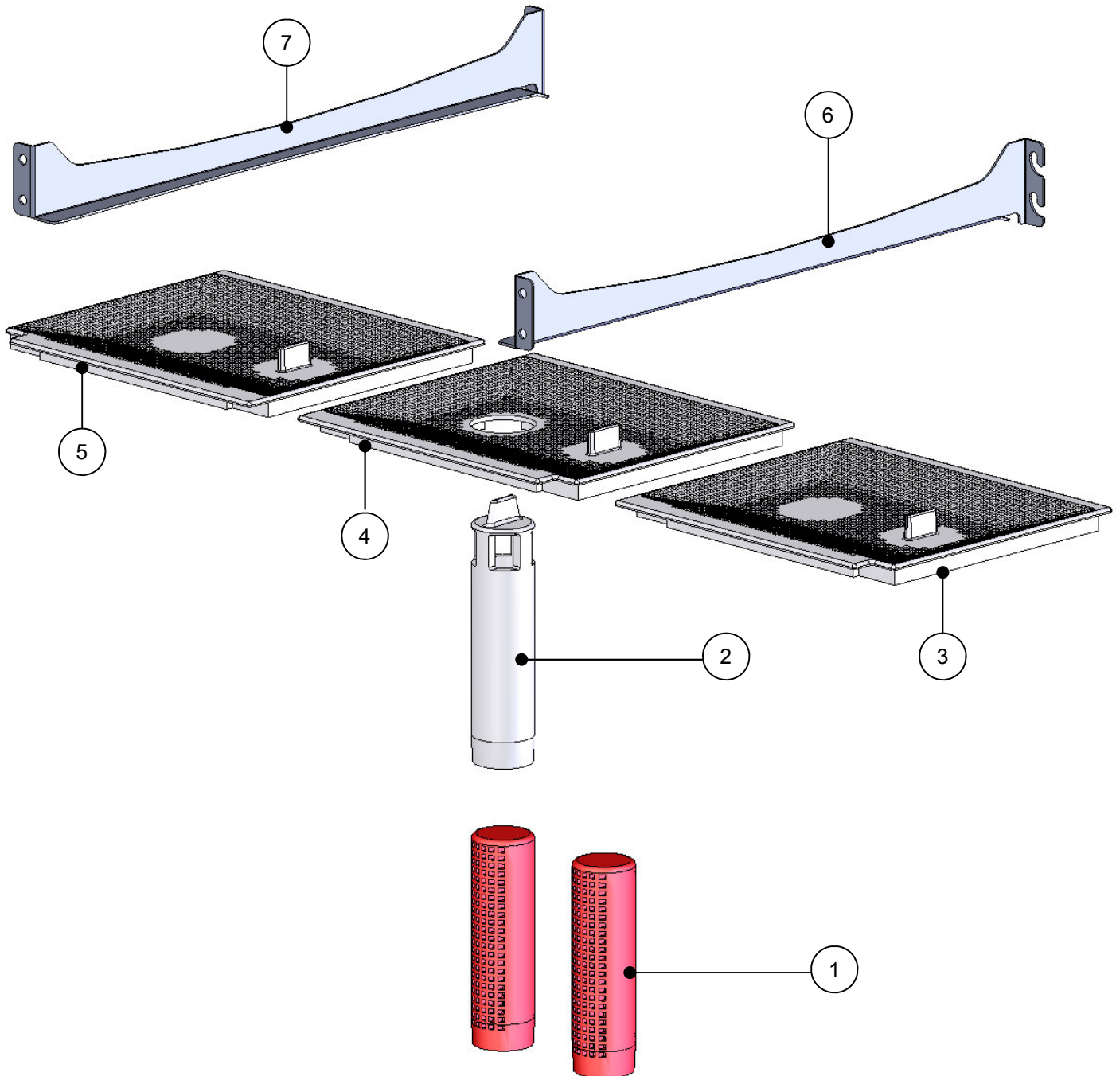
Contents

Machine assembly

→ Filter & Basket supports	2 - 3
→ Wash tank	4 - 7
→ Air break tank assembly	8 - 9
→ Rinse & Wash system	10 - 15
→ Centre boss	16 - 17
→ Rinse arm assembly	18 - 19
→ Base assembly (Eco & Hydro)	20 - 21
→ Base assembly (Duo)	22 - 23
→ Rinse boiler	24 - 25
→ Wash pump assembly - 0.22kW	26 - 27
→ Rinse pump assembly - 0.12kW	28 - 29
→ Drain pump kit	30 - 31
→ Gravity drain kit	32 - 33
→ Component tray	34 - 35
→ Panel kit	36 - 37
→ Packing kit	38



Filters & Basket supports



Filters & Basket supports

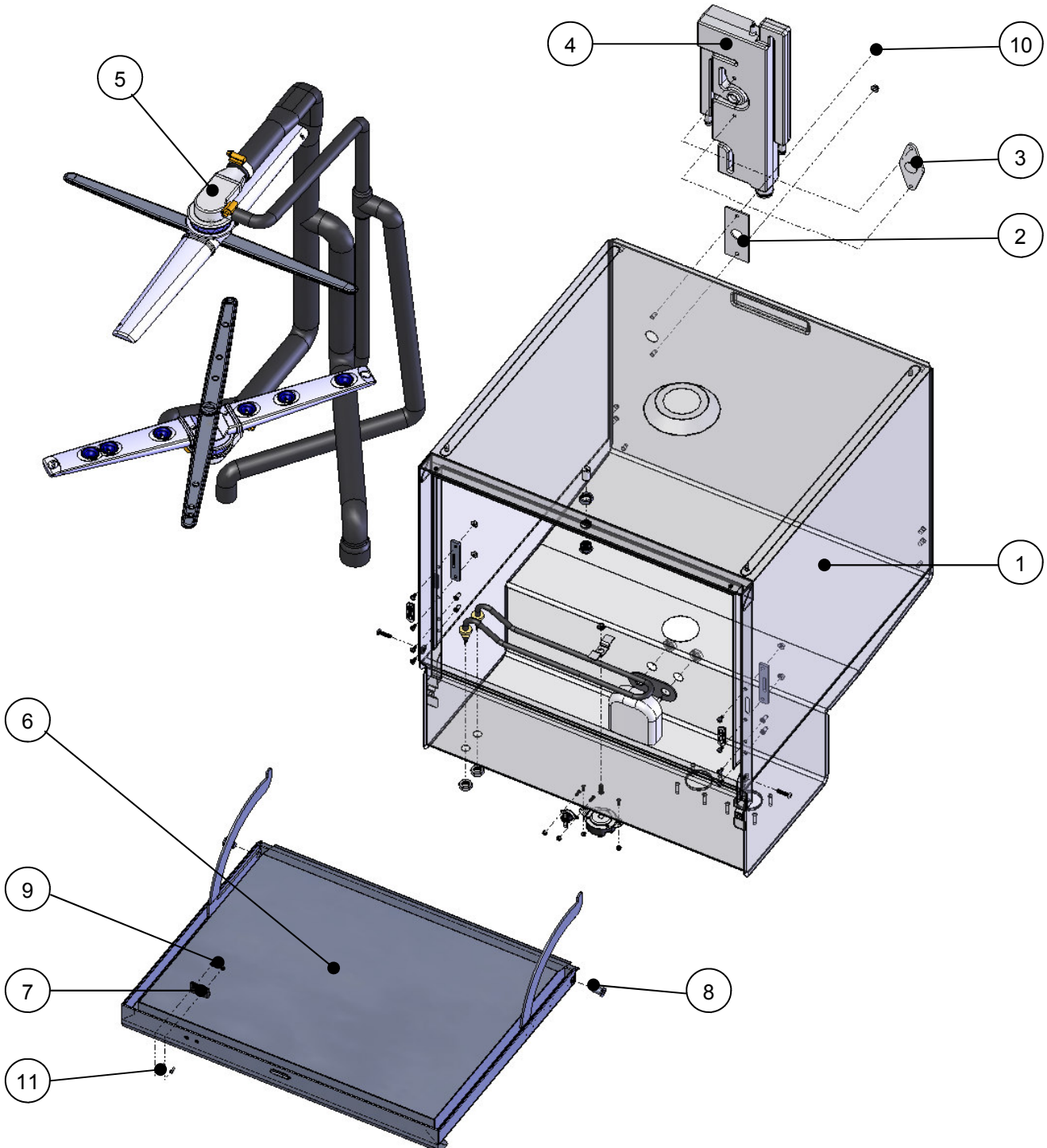
Item	Description	Part no.	Qty	Note
1	Secondary filter	231.0001	2	Only 1 required on gravity drain machines
2	Drain plug	232.0001	1	Only on gravity drain machines
3	Wash filter RH - 400mm Pumped	230.0002	1	Only on drain pump machines
4	Wash filter RH - 400mm Gravity	230.0001	1	Only on gravity drain machines
5	Wash filter LH - 400mm	230.0003	1	
6	Basket ramp - 400mm RH	115.0001	1	Not required on Eco1
7	Basket ramp - 400mm LH	115.0002	1	Not required on Eco 1

Note !

On 'Eco 1' machines items 6 and 7 are permanently attached to the wash cabinet and cannot be removed.

Wash tank assembly

Machine type	Assembly description	Assembly part no.
Eco 1	Wash tank assembly	011.0001
Eco2 & Duo2	Wash tank assembly	011.0002
Hydro500 & Duo500	Wash tank assembly	011.0003



Wash tank assembly

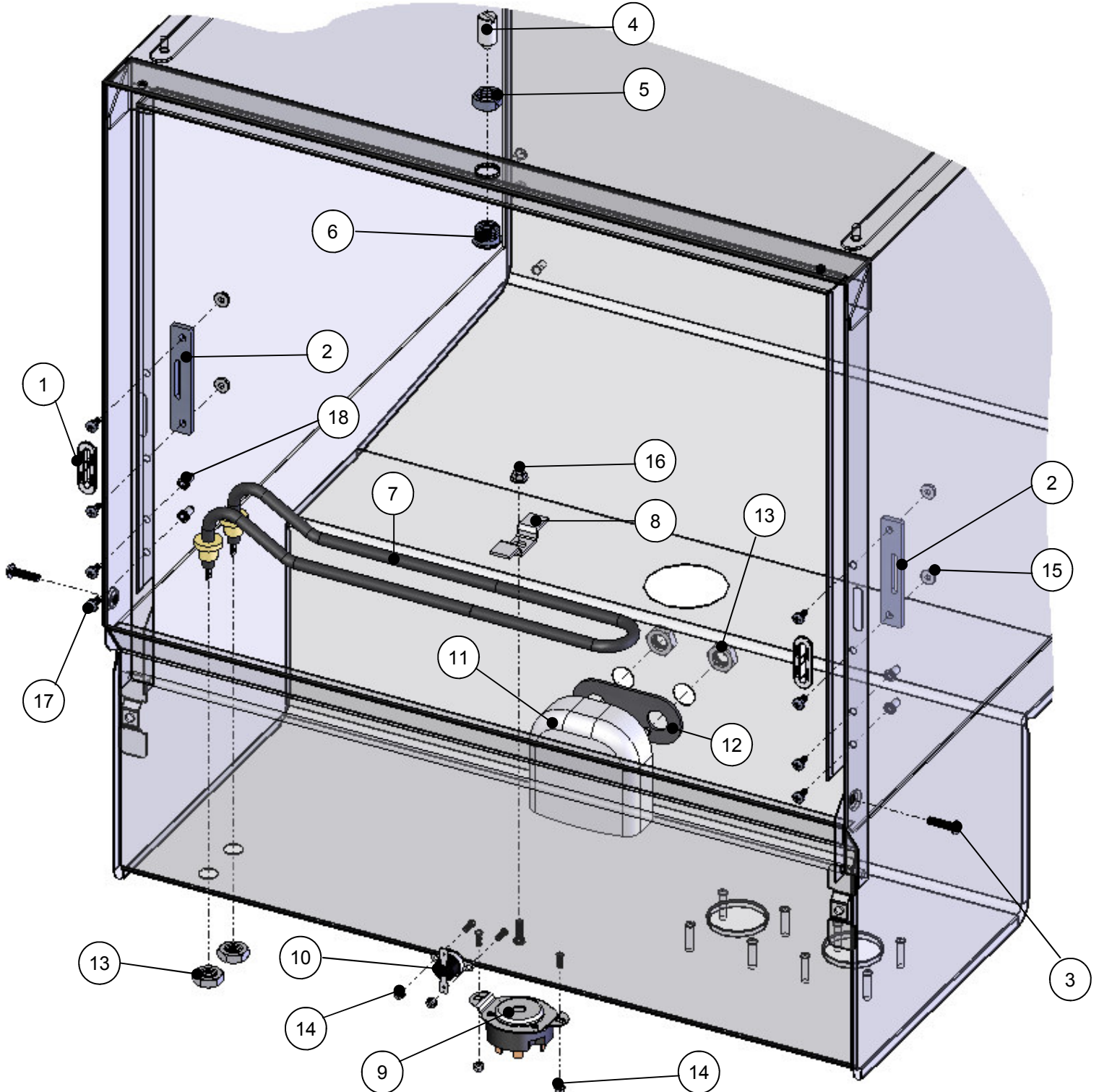
Item	Description	Part no.	Qty	Note
1	Wash cabinet	110.0003	1	Only on Eco 1
	Wash cabinet	110.0001		All models except Eco 1
2	Seal - Air break	301.0002	1	
3	20mm Blanking cover	255.0001	1	Only on Eco 1, Eco 2 & Hydro 500
4	Air break (WRAS approved)	020.0001	1	Only on Duo 2 & Duo 500
	Air break (without overflow)	020.0002	1	Only on none UK Duo 2 & Duo 500
5	Rinse & Wash system - 400mm Glass	021.0001	1	Only on Eco 1, Eco 2 and Duo 2
	Rinse & Wash system - 400mm Dish	021.0002		Only on Hydro 500 & Duo 500
6	Door	111.0001	1	
7	Magnet - Door switch	571.0001	1	
8	Door pivot pin	100.0002	2	
9	M3 nut - Flange	FNUT-03	2	
10	M5 nut - Flange	FNUT-05	2	
11	M3 x 8mm long Pan head Pozi screw	SC101	2	

Note !

Picture only depicts item 5 as per 021.0002 (dishwasher), the glasswasher version only having bottom wash arms.

Wash tank assembly

Machine type	Assembly description	Assembly part no.
Eco 1	Wash tank assembly	011.0001
Eco 2 & Duo 2	Wash tank assembly	011.0002
Hydro 500 & Duo 500	Wash tank assembly	011.0003

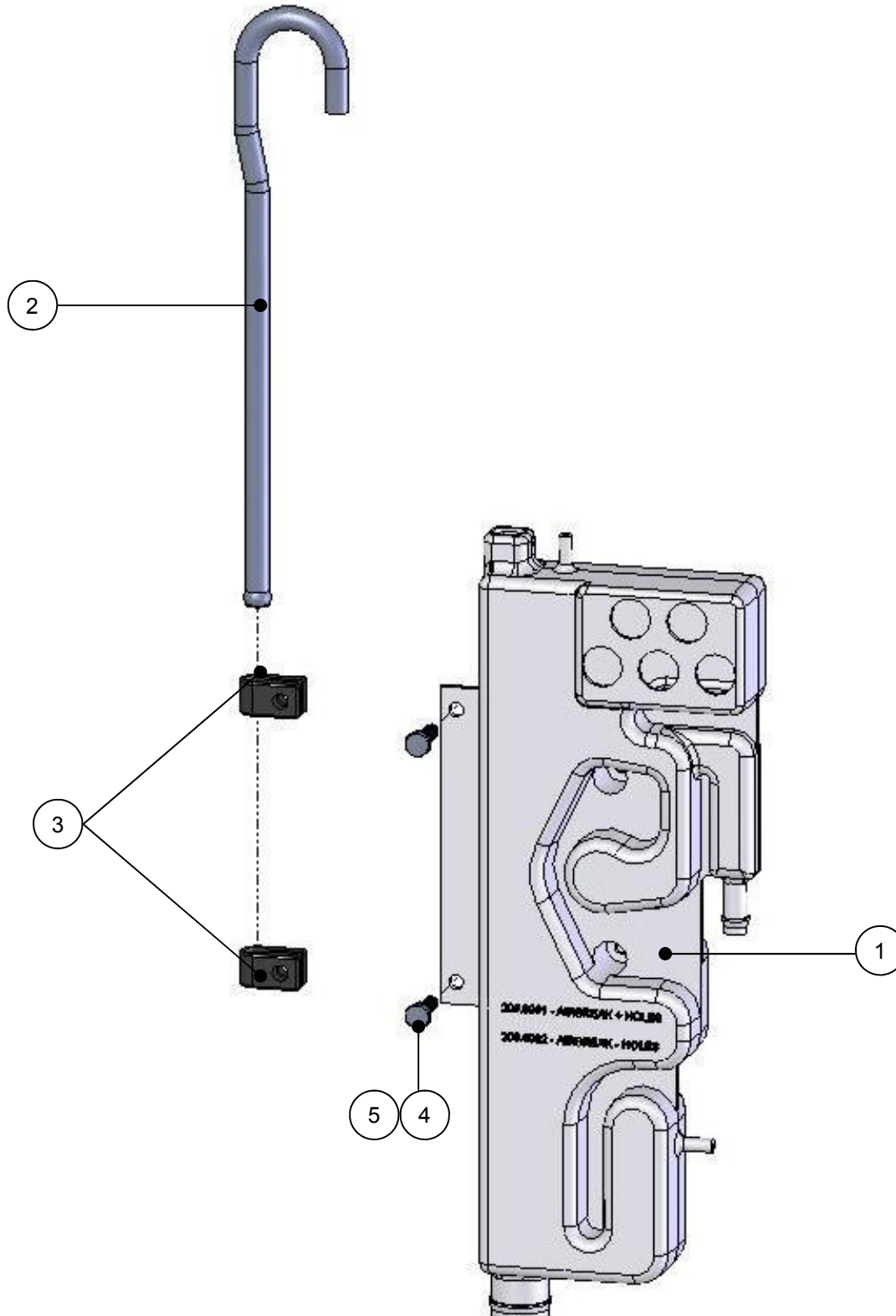


Wash tank assembly

Item	Description	Part no.	Qty	Note
1	Door inlay	256.0001	2	
2	Plate - Door stop	102.0002	2	
3	M6 x 12mm long—Button head screw	SC100	2	
4	Ball catch (M10)	320.0001	1	
5	Ball catch housing	100.0008	1	
6	Ball catch housing nut	100.0007	1	
7	Wash element - 2,000 watt	555.0001	1	
8	Bracket - Wash element clamp	7.6.6/22-2	1	
9	85°C - Thermal switch - 3 pole manual	540.0003	1	
10	55°C - Thermal switch - 1 pole auto - N/C	541.0009	1	
11	Air pressure vessel	260.0001	1	
12	Seal - Air pressure vessel	301.0001	1	
13	M12 Thin nut	TNUT-12	4	
14	M3 nut - Flange	FNUT-03	4	
15	M4 nut - Flange	FNUT-04	4	
16	M5 nut - Flange	FNUT-05	1	
17	M4 x 8mm long Pan head screw	SC006	4	
18	Support - Basket ramp	100.0009	4	Not required on Eco 1

Air break tank assembly

Machine type	Assembly description	Assembly part no.
Duo2 & Duo500	Air break (WRAS approved)	020.0001
None UK, Duo2 & Duo500	Air break (without overflow)	020.0002



Air break tank assembly

Item	Description	Part no.	Qty	Note
1	Air break (WRAS approved)	200.0001	1	
	Air break (without overflow)	200.0002	1	
2	Air break feeder tube	190.0001	1	
3	Cable cleat	331.0001	2	
4	M6 x 15mm long Hex head screw	SC029	2	
5	M6 flange nut	FNUT-06	2	

Rinse & Wash system

Machine type	Assembly description	Assembly part no.
Eco1, Eco2 & Duo2	Rinse and Wash system	021.0001

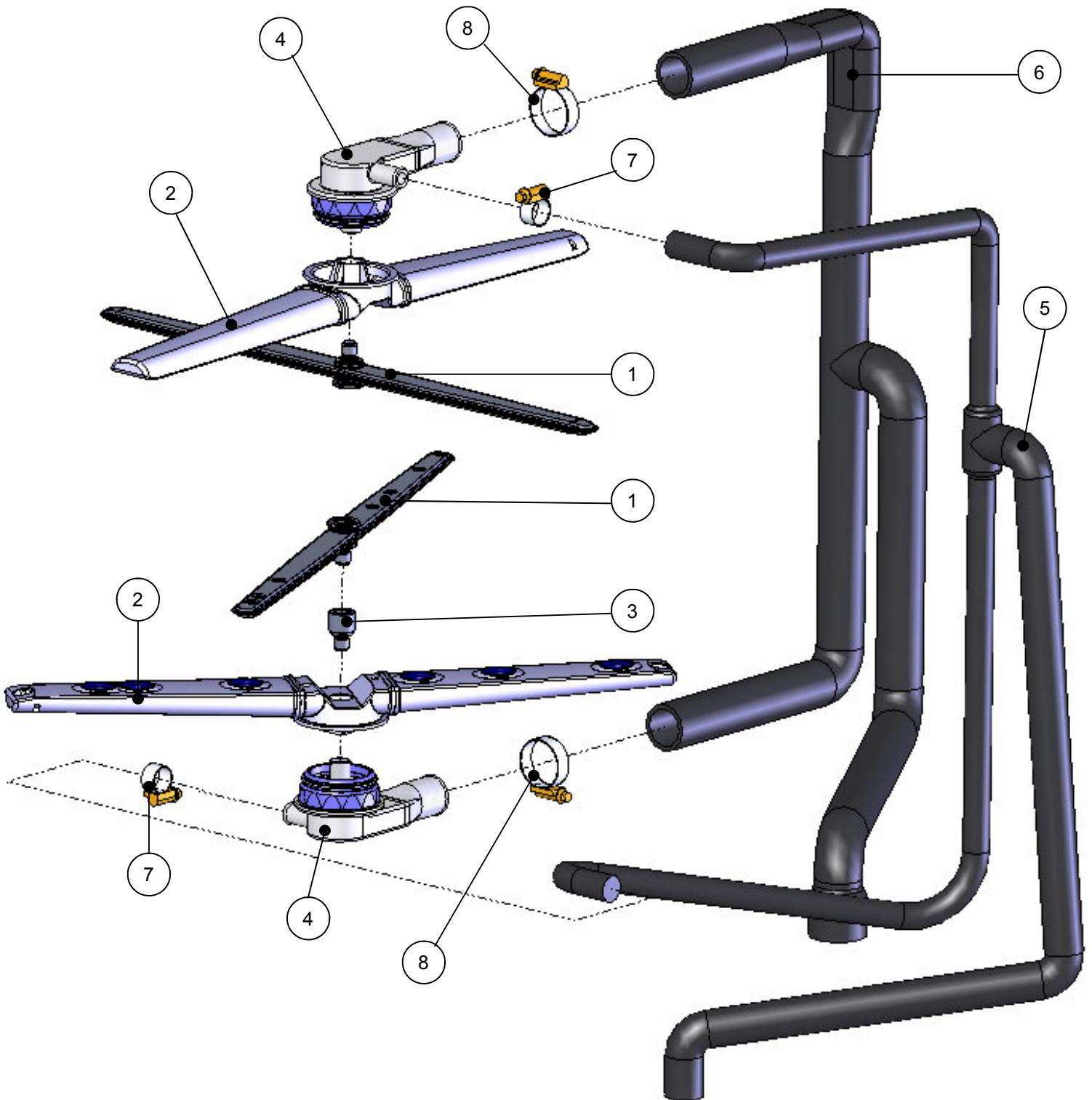


Rinse & Wash system

Item	Description	Part no.	Qty	Note
1	Rinse arm assembly - 400mm	62003575	1	
2	Rinse arm assembly - 400mm	022.0001	1	
3	Wash arm - 400mm	62003640	1	
4	Rinse screw	60004123	1	
5	Centre boss assembly	021.0005	1	
6	Centre boss assembly - Top	021.0006	1	
7	Hose - Rinse system - 400mm	404.0001	1	
8	Hose - Wash pump outlet - 400mm glass	406.0002	1	
9	Jubilee clip - Ø12mm to Ø22mm	JCLIP-012-022	2	
10	Jubilee clip - Ø25mm to Ø40mm	JCLIP-025-040	1	

Rinse & Wash system

Machine type	Assembly description	Assembly part no.
Hydro 500 & Duo 500	Rinse and Wash system	021.0002

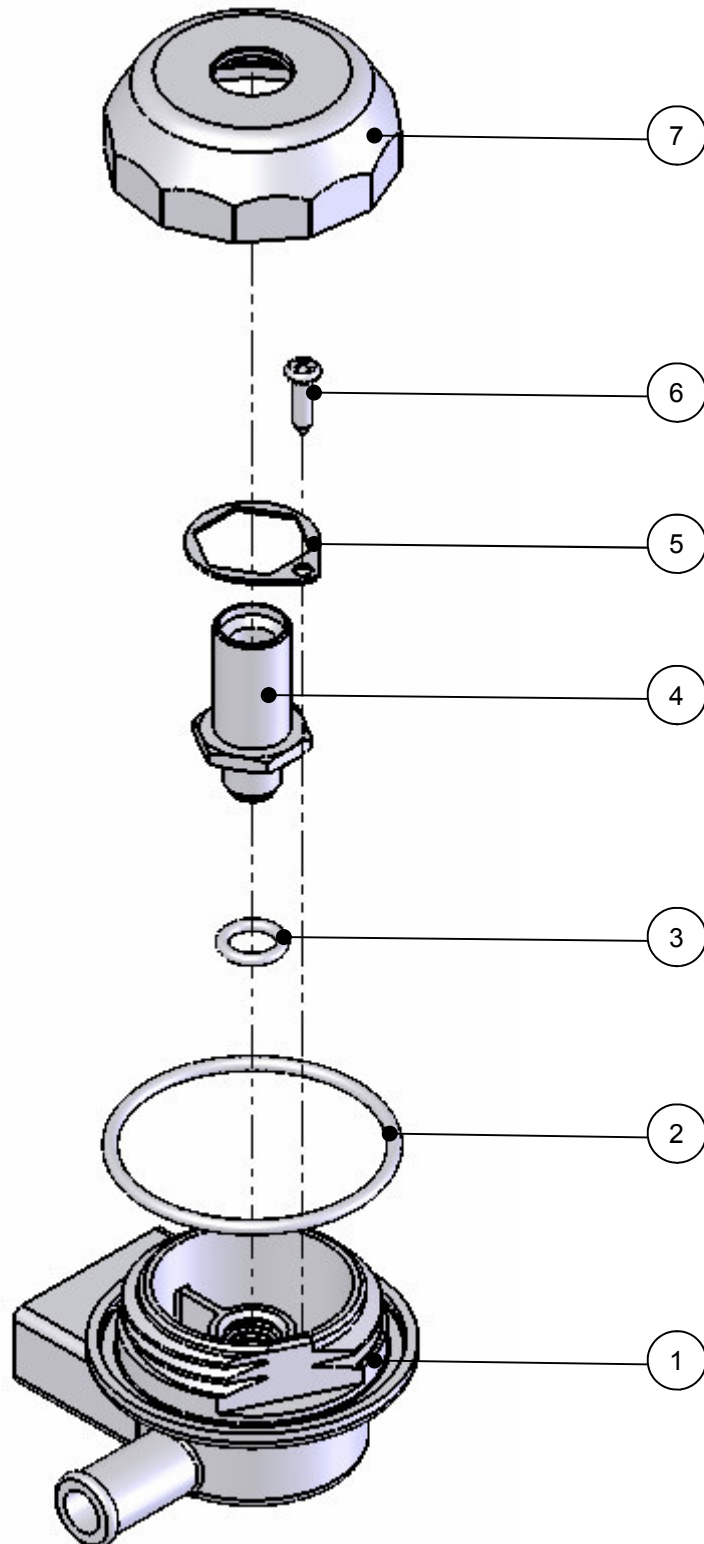


Rinse & Wash system

Item	Description	Part no.	Qty	Note
1	Rinse arm assembly - 400mm	022.0001	2	
2	Wash arm - 400mm	62003640	2	
3	Rinse extension screw	100.0005	1	
4	Centre boss assembly	021.0005	2	
5	Hose - Rinse system - 400mm	404.0001	1	
6	Hose - Wash pump outlet - 400mm dish	406.0001	1	
7	Jubilee clip - Ø12mm to Ø22mm	JCLIP-012-022	2	
8	Jubilee clip - Ø25mm to Ø40mm	JCLIP-025-040	2	

Centre boss assembly - Top - Glasswasher

Machine type	Assembly description	Assembly part no.
Eco1, Eco 2 & Duo 2	Centre boss - Top	021.0006

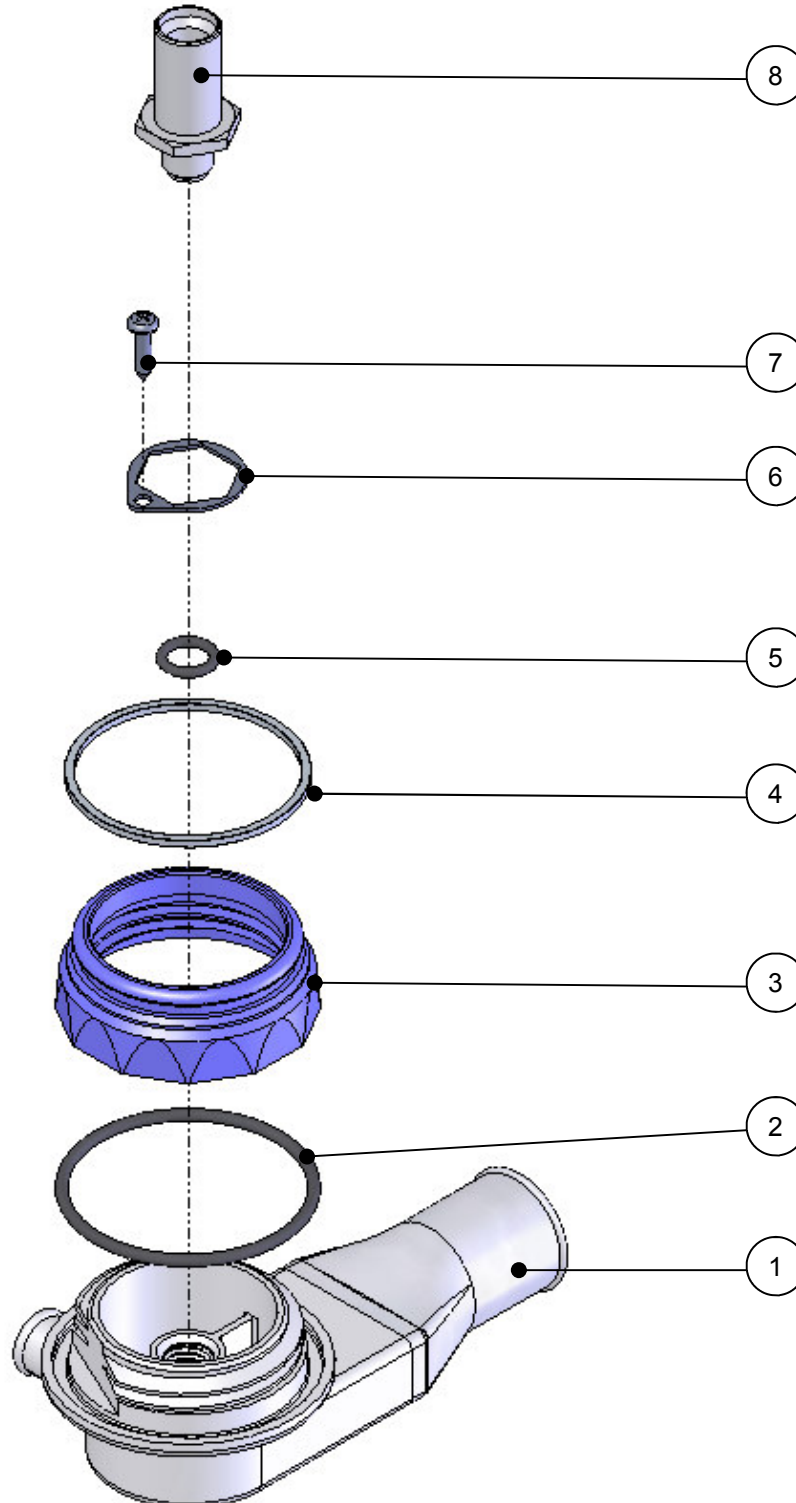


Centre boss assembly - Top - Glasswasher

Item	Description	Part no.	Qty	Note
1	Centre boss (top)	62003019	1	
2	O ring - Ø3mm x Ø56mm	300.3056	1	
3	O ring - Ø2.5mm x Ø10mm	300.2510	1	
4	Rinse arm spindle	62003005	1	
5	Fixing plate	61006076	1	
6	M3 x 16mm Long - Self tapping screw	20 20 305	1	
7	Lock nut	62003024	1	

Centre boss assembly

Machine type	Assembly description	Assembly part no.
Eco 1, Eco 2 & Duo 2	Centre boss - Bottom only	021.0005
Hydro 500 & Duo 500	Centre boss - Top and bottom	021.0005

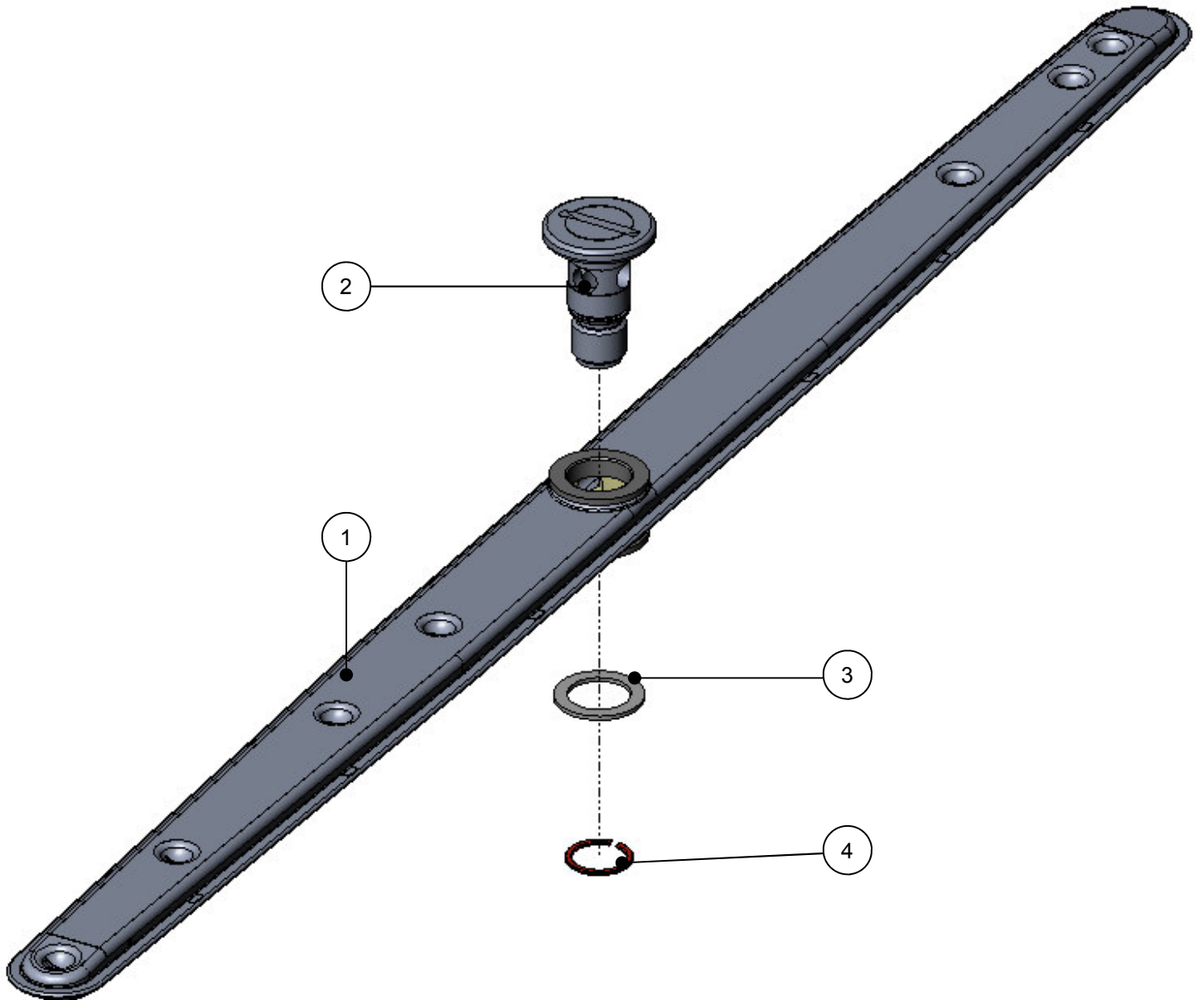


Centre boss assembly

Item	Description	Part no.	Qty	Note
1	Centre boss (bottom)	60004157	1	
2	O ring - Ø3mm x Ø56mm	300.3056	1	
3	Lock nut	60003005	1	
4	Seal	60003021	1	Only for dishwashers
5	O ring - Ø2.5mm x Ø10mm	300.2510	1	
6	Fixing plate	61006076	1	
7	M3 x 16mm Long - Self tapping screw	20 20 305	1	
8	Rinse arm spindle	60002987	1	

Rinse arm assembly - Bottom

Machine type	Assembly description	Assembly part no.
All models	Rinse arm assembly - Bottom	022.0001

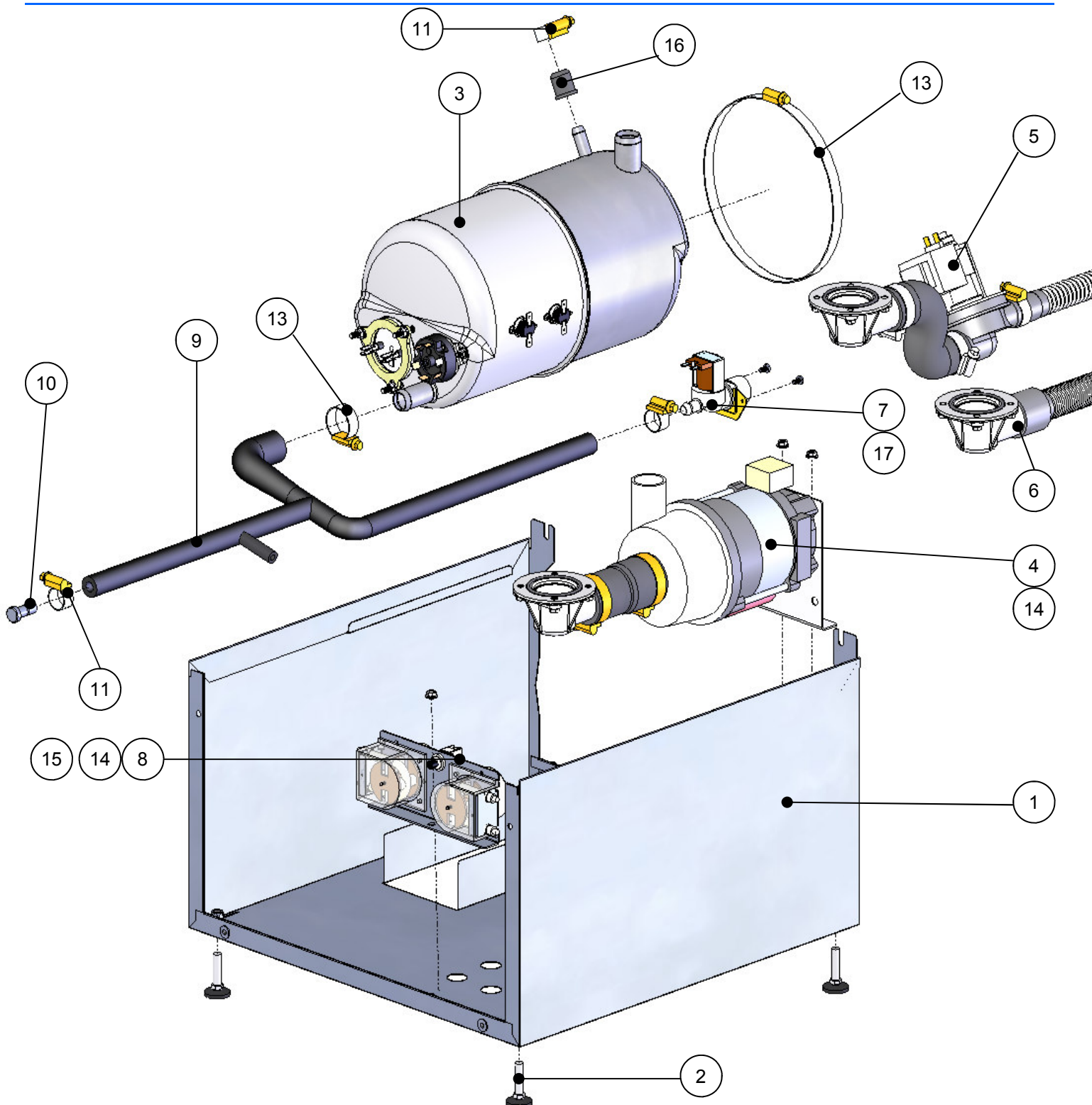


Rinse arm assembly - Bottom

Item	Description	Part no.	Qty	Note
1	Rinse arm - 400mm	62003575	1	
2	Rinse arm screw	60004124	1	
3	Washer	60003487	1	
4	Locking ring	60003023	1	

Base assembly (Eco & Hydro)

Machine type	Assembly description	Assembly part no.
Eco1 & Eco 2	Base assy. - 6.5 litre x 2kW x 70°C - Pressurised tank - Gravity drain	012.0001
Hydro 500	Base assy. - 6.5 litre x 2kW x 80°C - Pressurised tank - Gravity drain	012.0002

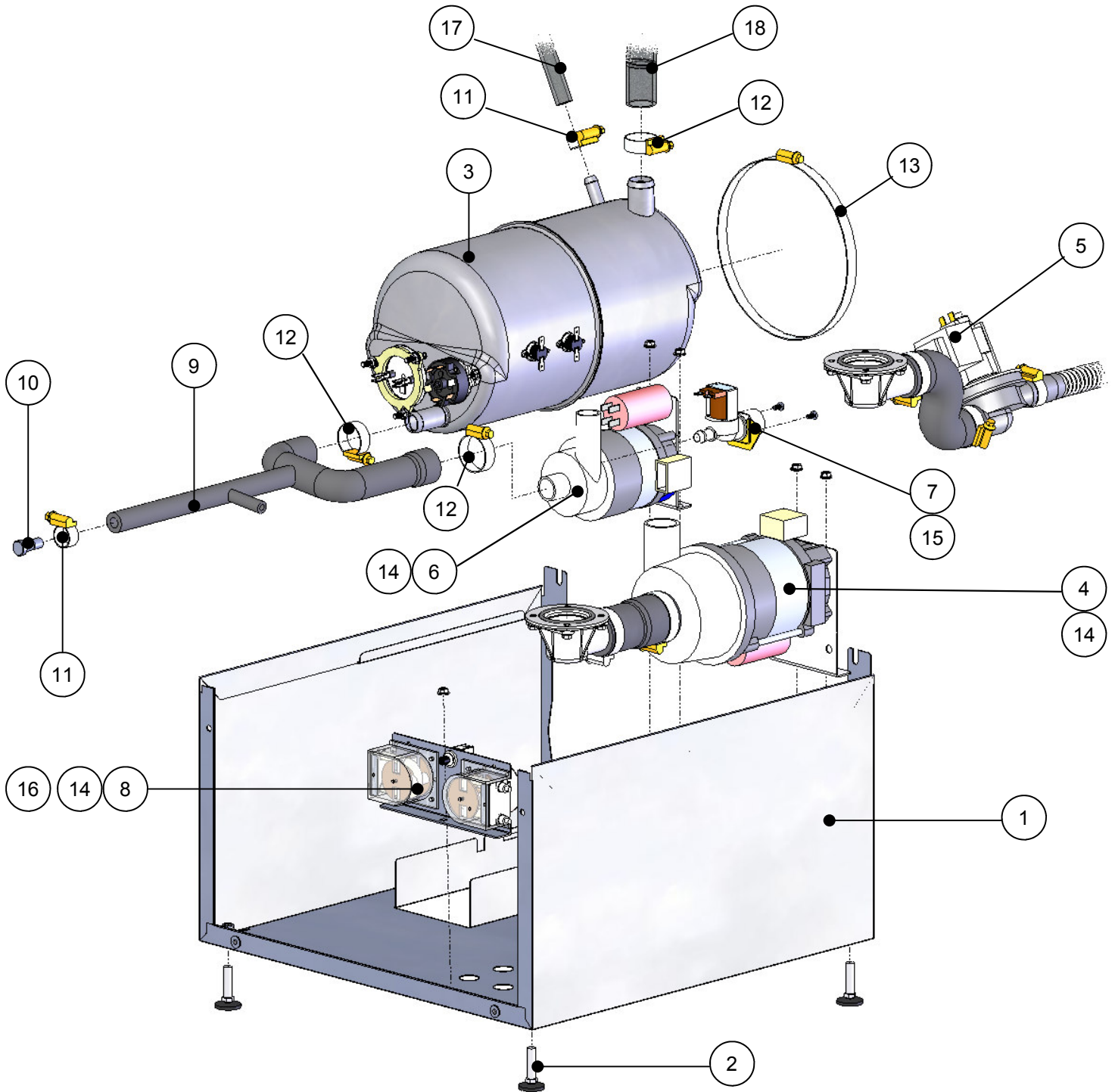


Base assembly (Eco & Hydro)

Item	Description	Part no.	Qty	Note
1	Machine base - 400mm	120.0001	1	
2	M8 x 40 Adjuster foot	310.0001	4	
3	Rinse boiler - 6.5 litre x 2 kW x 70°C	013.0006	1	Only for Eco 1 & Eco 2
	Rinse boiler - 6.5 litre x 2 kW x 80°C	013.0002		Only for Hydro 500
4	Wash pump assembly - 0.22 kW	052.2201	1	
5	Drain pump kit	052.2402	1	Only for drain pump machines
6	Gravity drain kit 400mm	052.2401	1	Only for gravity drain machines
7	Inlet solenoid valve	7.12.12/1	1	
8	Chemical pumps	526.0001	1	
9	Hose - Inlet valve - Rinse boiler	401.0001	1	
10	Drain plug - Rinse tank	100.0003	1	
11	Jubilee clip - Ø12mm to Ø22mm	JCLIP-012-022	3	
12	Jubilee clip - Ø20mm to Ø32mm	JCLIP-020-032	1	
13	Jubilee clip - Ø160mm to Ø180mm	JCLIP-160-180	1	
14	M5 nut - Flange	FNUT-05	5	
15	PVC hose - Ø3mm	RT2	4	Quantity in metres (not shown)
16	End cap	410.0002	1	
17	M4 x 10mm -Pan head screw	SC006	2	

Base assembly (Duo)

Machine type	Assembly description	Assembly part no.
Duo 2	Base assembly	012.0008
Duo 500	Base assembly	012.0009

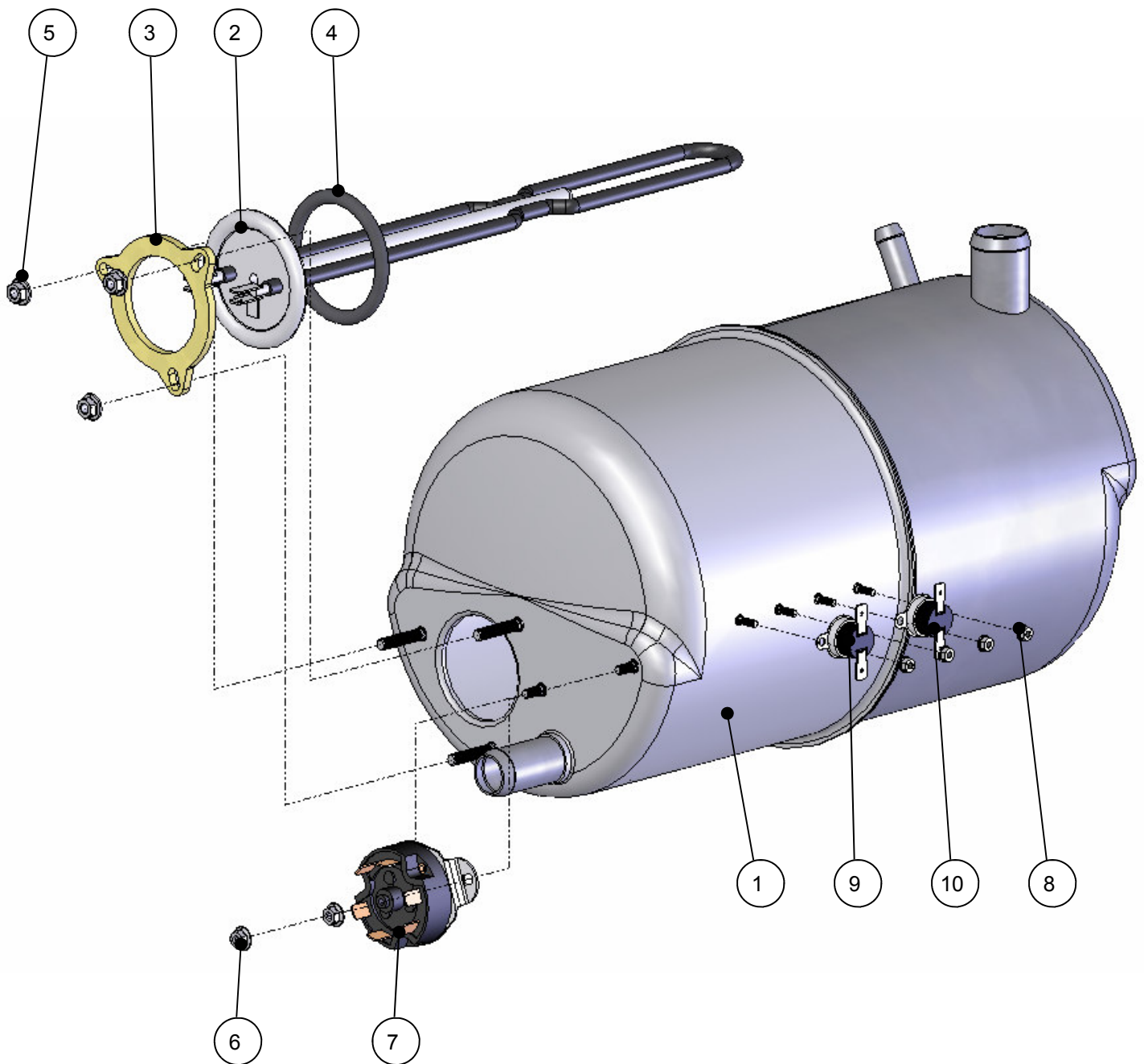


Base assembly (Duo)

Item	Description	Part no.	Qty	Note
1	Machine base - 400mm	120.0002	1	
2	M8 x 40 Adjuster foot	310.0001	4	
3	Rinse boiler - 6.5 litre x 2 kW x 70°C	013.0001	1	Only for Duo2
	Rinse boiler - 6.5 litre x 2 kW x 80°C	013.0002		Only for Duo 500
4	Wash pump assembly - 0.74 kW	052.2202	1	
5	Drain pump kit	052.2402	1	
6	Rinse pump assembly - 0.27 kW	052.2001	1	
7	Inlet solenoid valve	7.12.12/1	1	
8	Chemical pumps	526.0001	1	
9	Hose - Rinse boiler - Rinse pump	403.0002	1	
10	Drain plug - Rinse tank	100.0003	1	
11	Jubilee clip - Ø12mm to Ø22mm	JCLIP-012-022	3	
12	Jubilee clip - Ø20mm to Ø32mm	JCLIP-020-032	3	
13	Jubilee clip - Ø160mm to Ø180mm	JCLIP-160-180	1	
14	M5 nut - Flange	FNUT-05	4	
15	M3 x 10mm long - Pan head screw	SC006	2	
16	PVC hose - Ø3mm	RT2	4	Quantity in metres (not shown)
17	Silicon Hose - Ø9.5mm	H-09S	0.4	Quantity in metres
18	Silicon Hose - Ø23mm	H-23S	0.15	Quantity in metres

Rinse boiler

Machine type	Assembly description	Assembly part no.
Eco 1, Eco 2 & Duo 2	Rinse boiler assembly - 6.5litres x 70°C x 2,000 watts	013.0001
Hydro 500 & Duo 500	Rinse boiler assembly - 6.5litres x 80°C x 2,000 watts	013.0002

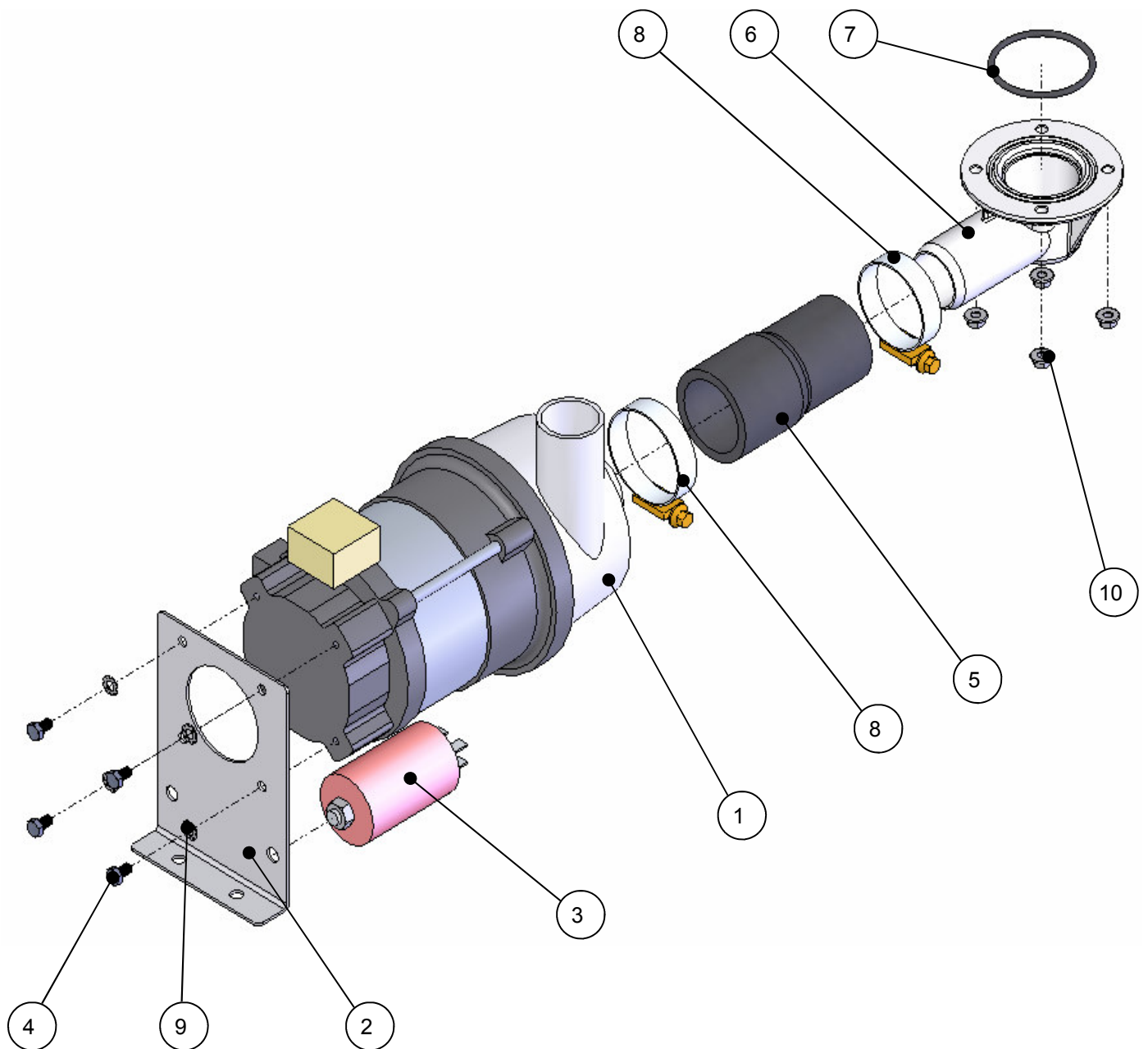


Rinse boiler

Item	Description	Part no.	Qty	Note
1	Rinse boiler - 6.5 litres	130.0002	1	
2	Rinse element - 2,000 watt	550.0002	1	
3	Bracket - Rinse element	600010934	1	
4	O-ring seal - Ø6mm x Ø47mm	300.6047	1	
5	M5 nut - Flange	FNUT-05	3	
6	M4 nut - Flange	FNUT - 04	2	
7	Manual reset thermal trip switch - 3 pole - 105°C (normally closed)	540.0002	1	
8	M3 nut - Flange	FNUT-03	4	
9	Auto reset thermal trip switch - 1 pole - 55°C (normally open)	541.0002	1	
10	Auto reset thermal trip switch - 1 pole - 70°C (normally closed)	541.0010	1	Only to be fitted on glasswashers
	Auto reset thermal trip switch - 1 pole - 80°C (normally closed)	541.0011	1	Only to be fitted on dishwashers

Wash pump assembly - 0.22kW

Machine type	Assembly description	Assembly part no.
All models	Wash pump assembly - 0.22kW	052.2201

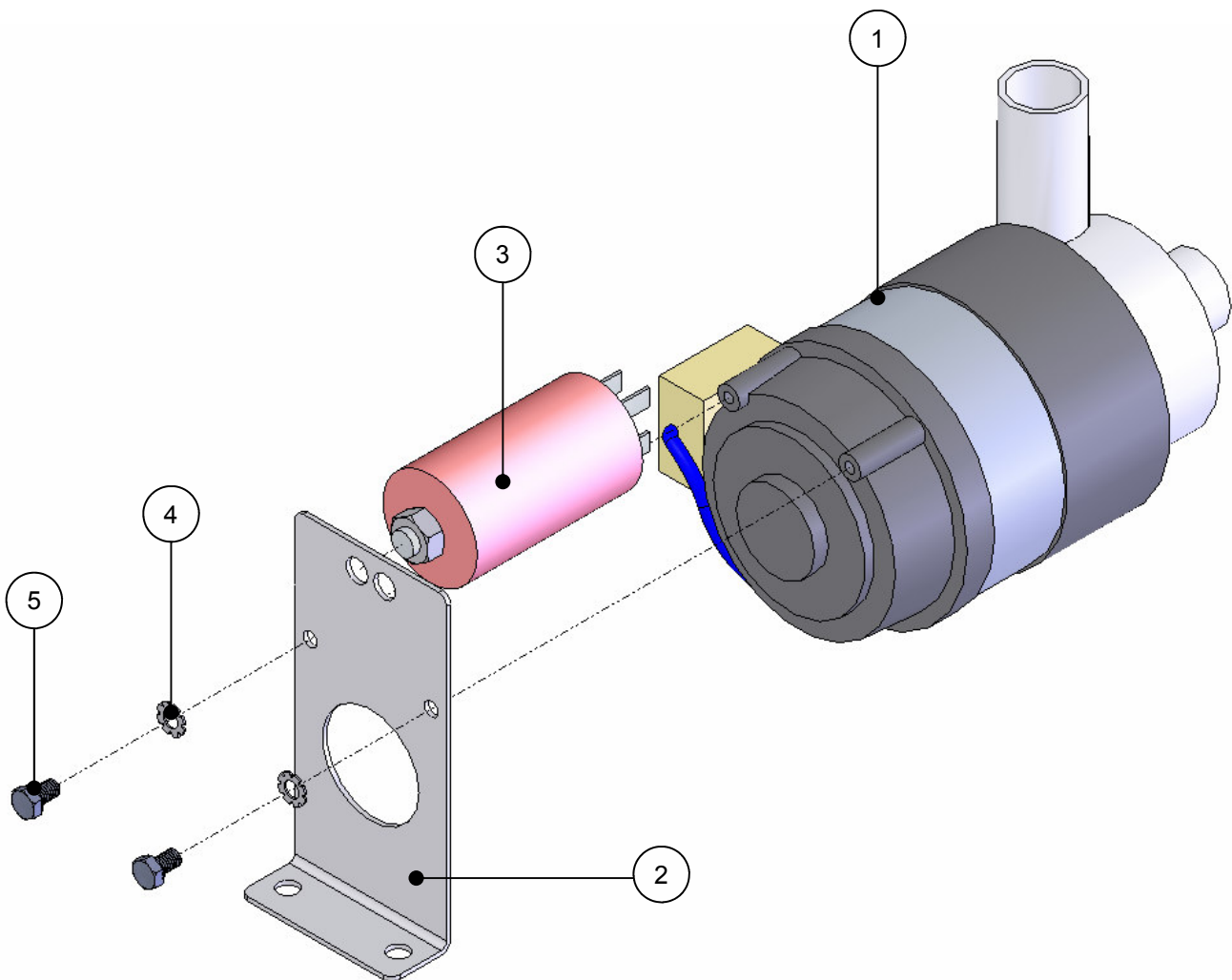


Wash pump assembly - 0.22kW

Item	Description	Part no.	Qty	Note
1	Wash pump - 0.22 kW	522.0001	1	
2	Bracket - Pump 0.22 kW	160.0001	1	
3	Capacitor - 5 μ F	529.0001	1	
4	M5 x 8mm long - Hex screw	SC011	4	
5	Hose - Wash pump inlet	405.0001	1	
6	Wash & waste outlet	240.0002	1	
7	O-ring seal - \varnothing 3mm x \varnothing 47mm	300.3047	1	
8	Jubilee clip - \varnothing 30mm to \varnothing 45mm	JCLIP-030-045	2	
9	M5 star washer	W014	4	

Rinse pump assembly - 0.12kW

Machine type	Assembly description	Assembly part no.
Duo 2 & Duo 500	Rinse pump assembly - 0.12kW	052.2001

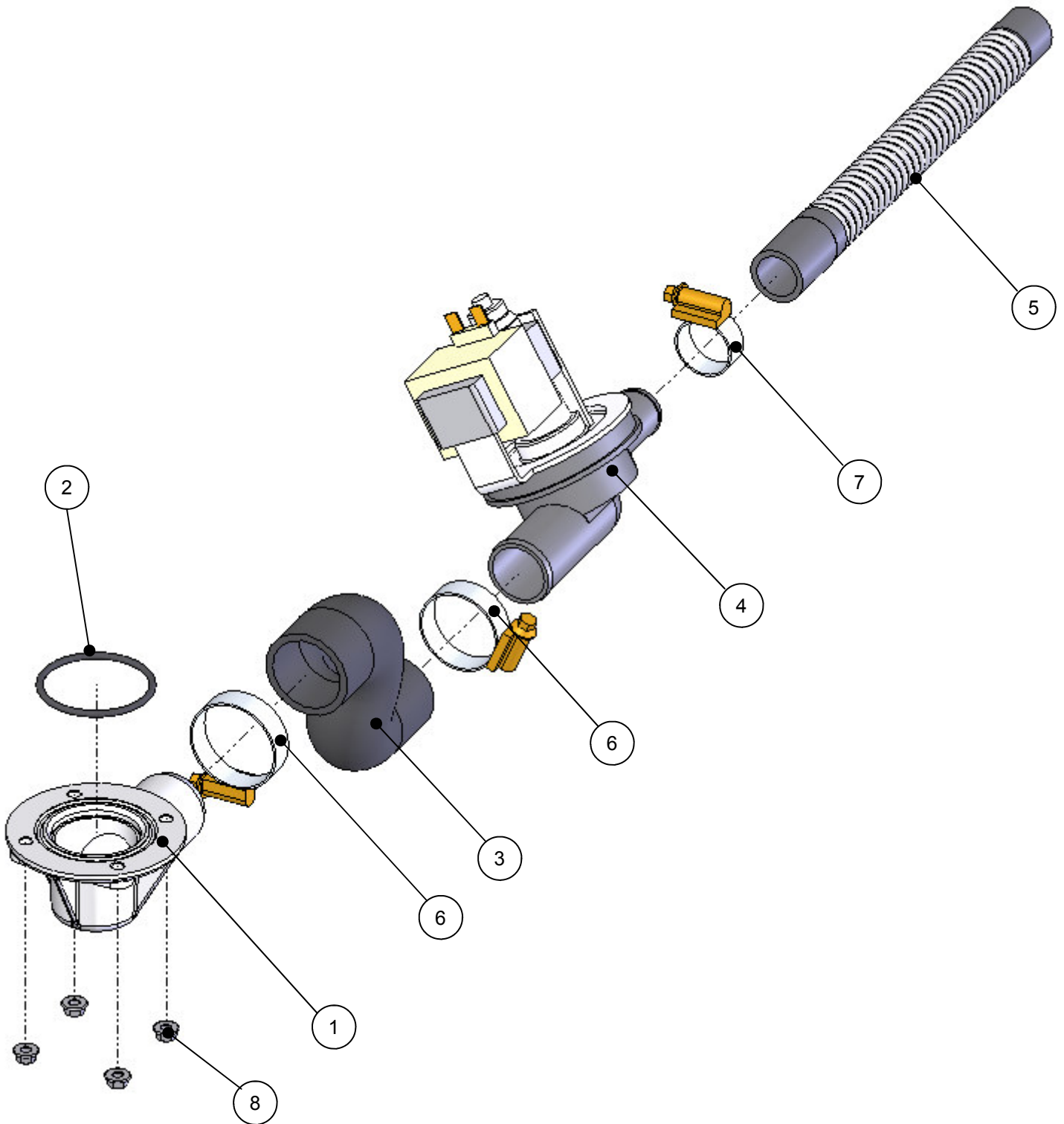


Rinse pump assembly - 0.12kW

Item	Description	Part no.	Qty	Note
1	Rinse pump - 0.12 kW	520.0001	1	
2	Bracket - Pump 0.12 kW	160.0002	1	
3	Capacitor - 4 μ F	529.0002	1	
4	M4 Star washer	7.9.13/3	2	
5	M4 x 8mm long - Hex screw	SC006	2	

Drain pump kit

Machine type	Assembly description	Assembly part no.
All models	Drain pump kit	052.2402



Drain pump kit

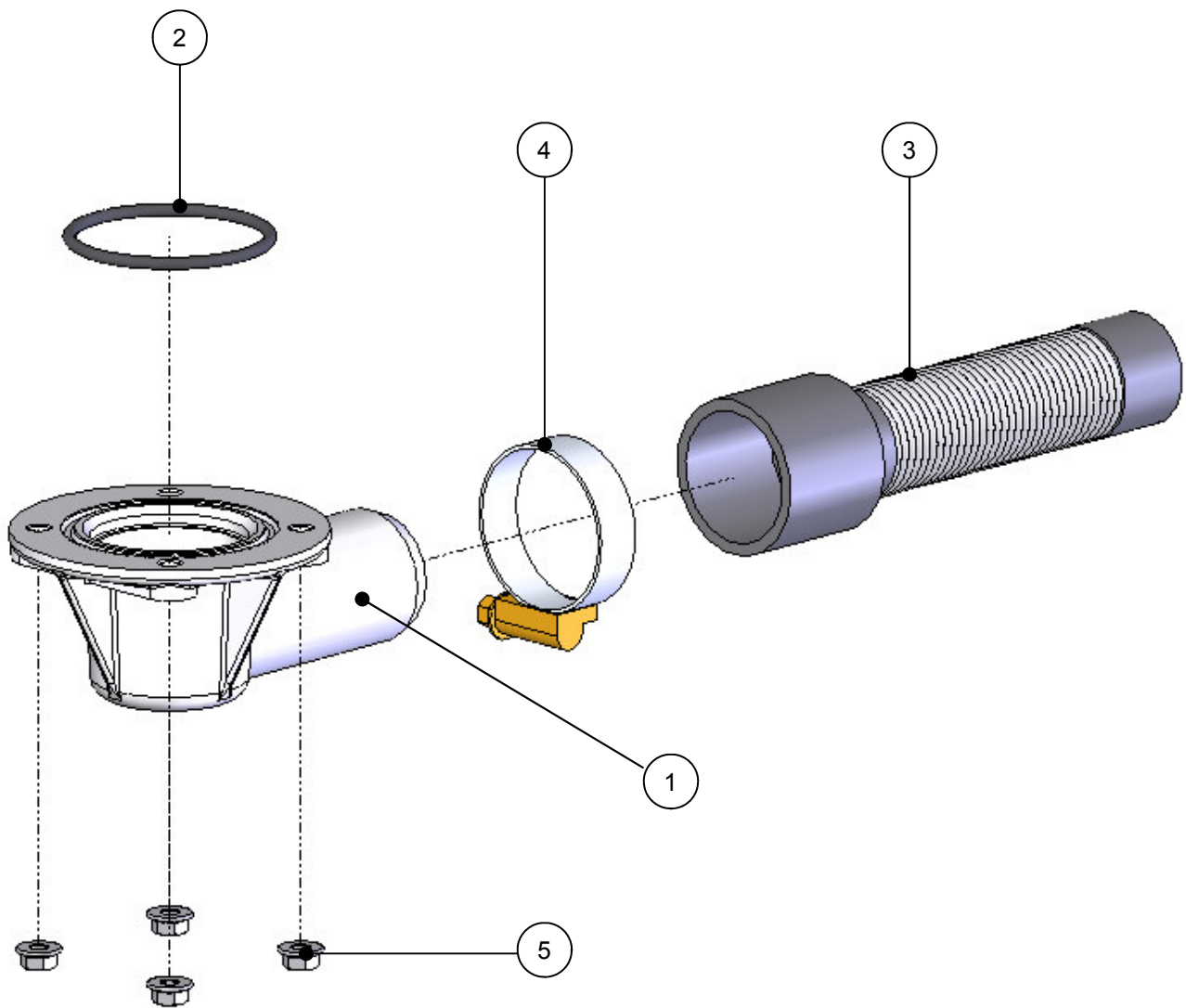
Item	Description	Part no.	Qty	Note
1	Wash & waste outlet	240.0002	1	
2	O-ring seal - Ø3mm x Ø47mm	300.3047	1	
3	Hose - Drain pump inlet	408.0001	1	
4	Drain pump	DP2	1	
5	Hose - Drain pump outlet	408.0003	1	
6	Jubilee clip - Ø30mm to Ø45mm	JCLIP-030-045	2	
7	Jubilee clip -Ø20mm to Ø32mm	JCLIP-020-032	1	
8	M5 nut - Flange	FNUT-05	4	

Gravity drain models only



Gravity drain kit

Machine type	Assembly description	Assembly part no.
Gravity drain models only	Gravity drain kit	052.2401



Gravity drain models only

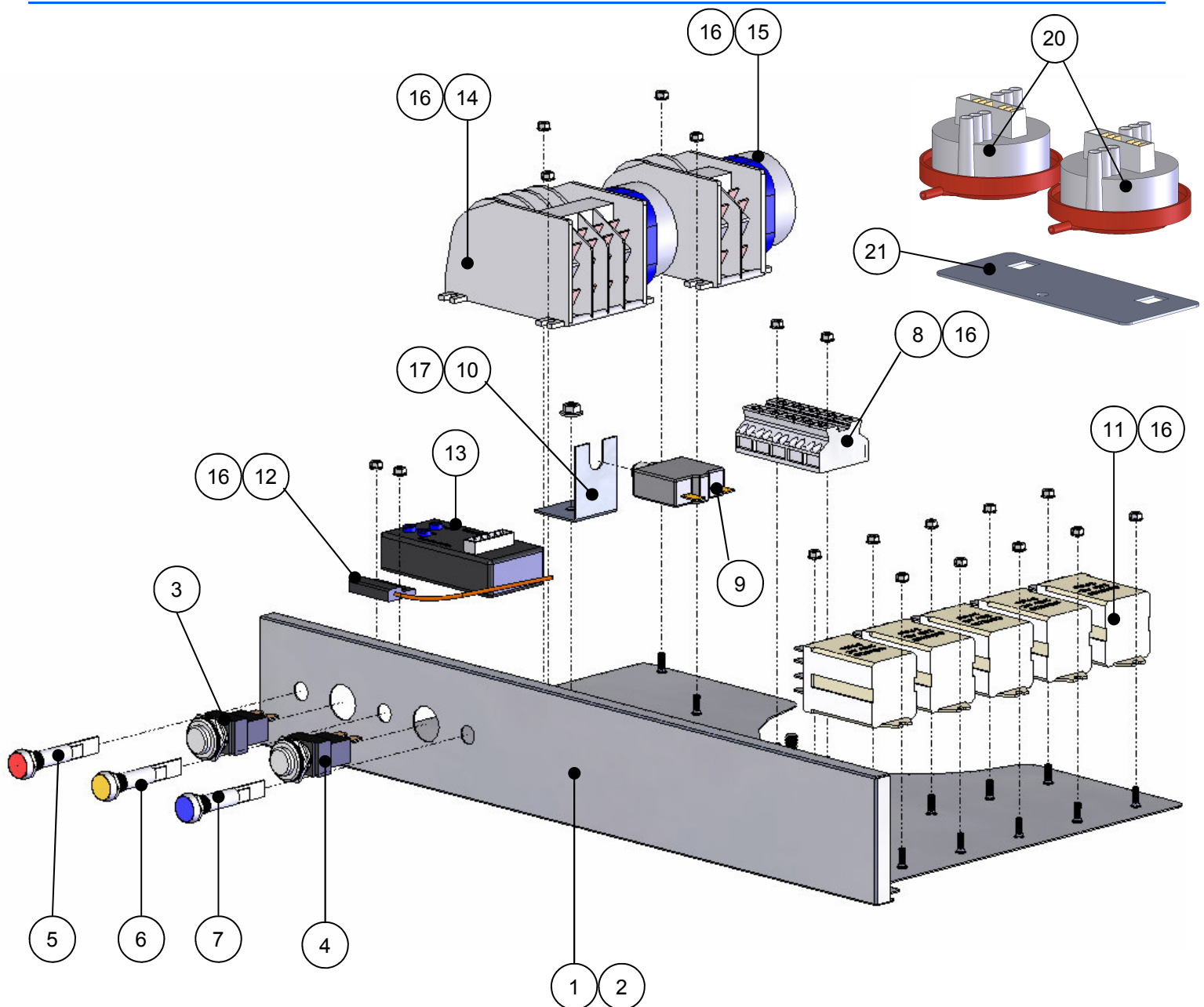


Gravity drain kit

Item	Description	Part no.	Qty	Note
1	Wash & waste outlet	240.0002	1	
2	O-ring seal - Ø3mm x Ø47mm	300.3047	1	
3	Hose - Gravity drain	DP-HOSE	1	
4	Jubilee clip - Ø30mm to Ø45mm	JCLIP-030-045	3	
5	M5 nut - Flange	FNUT-05	4	

Component tray

Machine type	Assembly description	Assembly part no.
Eco 1	Component tray assembly	014.0002
Eco 2	Component tray assembly	014.0001
Hydro 500	Component tray assembly	014.0013
Duo 2	Component tray assembly	014.0015
Duo 500	Component tray assembly	014.0004

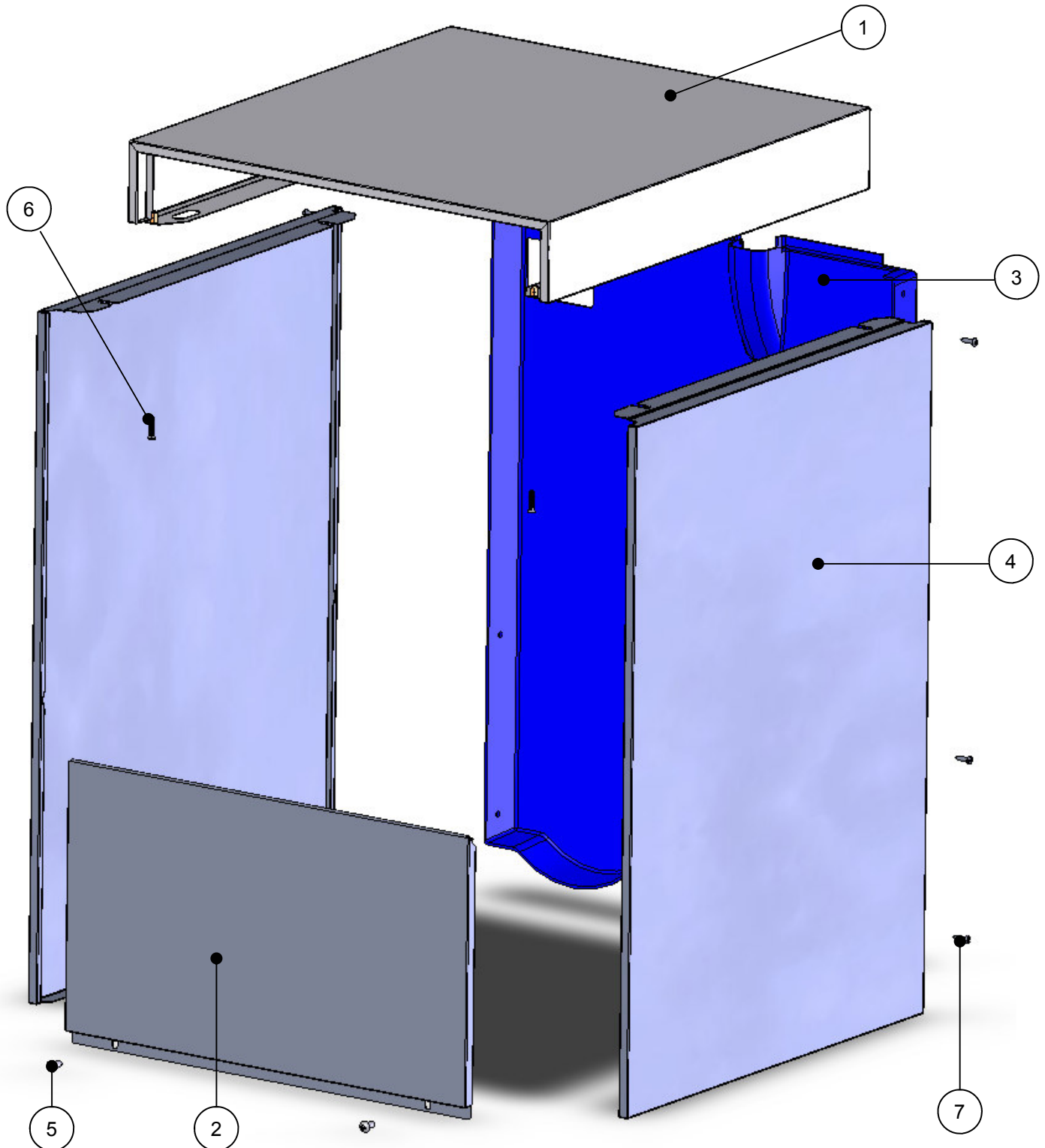


Component tray

Item	Description	Part no.	Qty	Note
1	Component tray - Single skin	140.0001	1	Only for Eco1, Eco2 & Hydro 500
	Component tray - Double skin	140.0002		Only for Duo2 & Duo500
2	Fascia label - Eco 1	940.0005	1	Only for Eco 1
	Fascia label - Eco 2	940.0001		Only for Eco 2
	Fascia label - Hydro 500	940.0009		Only for Hydro 500 (Manual drain)
	Fascia label - Duo 2	940.0003		Only for Duo 2
	Fascia label - Duo 500	940.0002		Only for Duo 500
3	On / Off switch	500.0001	1	
4	Cycle switch	501.0001	1	
5	Indicator lamp - Red	505.0001	1	
6	Indicator lamp - Amber	505.0003	1	
7	Indicator lamp - Blue	505.0004	1	
8	Terminal block	7.12.70	1	
9	Circuit breaker - 4 amp	TCB-1	1	
10	Bracket - Circuit breaker	164.0001	1	
11	Contactor - 3 pole changeover	CONT/30	5	
12	Door switch	570.0001	1	
13	Chemical timer	CLM 312	1	
14	Cycle timer - 2 minute	560.4120	1	Only for Eco 1, Eco 2 & Duo 2
	Cycle timer - 3 minute	560.4180		Only for Hydro 500 & Duo 500
15	Transfer timer—30 seconds	560.2030	1	Only for Duo 2 & Duo 500
16	M3 nut - Flange	FNUT-03	18	
17	M5 nut - Flange	FNUT-05	2	
18	Wiring harness (not shown)	LM-P2-STD	1	Only for Eco1, Eco2 & Hydro 500
	Wiring harness (not shown)	LM-P2-ABT		Only for Duo2 & Duo 500
19	Mains cable - 13 amps + UK plug	7.12.10/PA	1	
20	Air pressure switch	530.0001	1	2 required on Duo2 & Duo500
21	Bracket - Air pressure Switch	102.0003	1	

Panel kit

Machine type	Assembly description	Assembly part no.
Eco1, Eco2 & Hydro 500	Panel kit - 400mm Single skin	015.0001
Duo 2 & Duo 500	Panel kit - 400mm Double skin	015.0002



Panel kit

Item	Description	Part no.	Qty	Note
1	Panel - Top single skin	154.0001	1	Only for Eco1, Eco 2 & Hydro 500
	Panel - Top double skin	154.0002		Only for Duo2 & Duo500
2	Panel - Front lower	153.0001	1	
3	Panel - Rear	250.0001	1	
4	Side panels	151.0001	2	Only for Duo2 & Duo500
5	M6 x 12mm long—Button head screw	SC1001	2	
6	M4 x 20mm long - Counter sunk screw		2	
7	No. 6 x 3/8" Pozi Pan Head Screw	7.9.13/15	6	
8	Bracket—Rear panel	163.0001	2	
9	Bracket - Cabinet to base	163.0002	2	Not shown
10	M5 nut - Flange	FNUT-05	6	
10	M4 - Self tapping clip	7.2.4/1	6	Not shown (used to hold back panel to base and cabinet)
11	Label - Stand pipe (Drain pump)		1	Only for drain pump m/c's (not shown)
	Label - Stand pipe (Gravity)			Only for gravity drain m/c's (not shown)

Packing kit

Machine type	Assembly description	Assembly part no.
Eco 1, Eco 2 & Duo 2	Packing kit - 400mm glasswasher	002.0001
Hydro 500 & Duo500	Packing kit - 400mm dishwasher	002.0002

Item	Description	Part no.	Qty	Note
1	Bottle weight	7.7.21/4	2	
2	Water supply hose	7.8.14	1	
3	Basket - 500mm ² Open	500GBP	2	Only for Eco 1, Eco 2 & Duo 2
			1	Only for Hydro 500 & Duo 500
4	Basket - 500mm ² Plate + Cutlery	500PRP	1	Only for Hydro 500 & Duo 500
5	Manual - Operators & installation	902.0001	1	English version





ClassEq is a trading name of
Classic Glass & Dishwashing Systems Ltd.

Classic Glass & Dishwashing Systems Ltd

Winterhalter House
Roebuck Way
Knowlhill
Milton Keynes
MK5 8WH



Spares department

01908 359020

Service department

01908 359059



01908 359014

01908 359075



spares@classeq.co.uk

service@classeq.co.uk