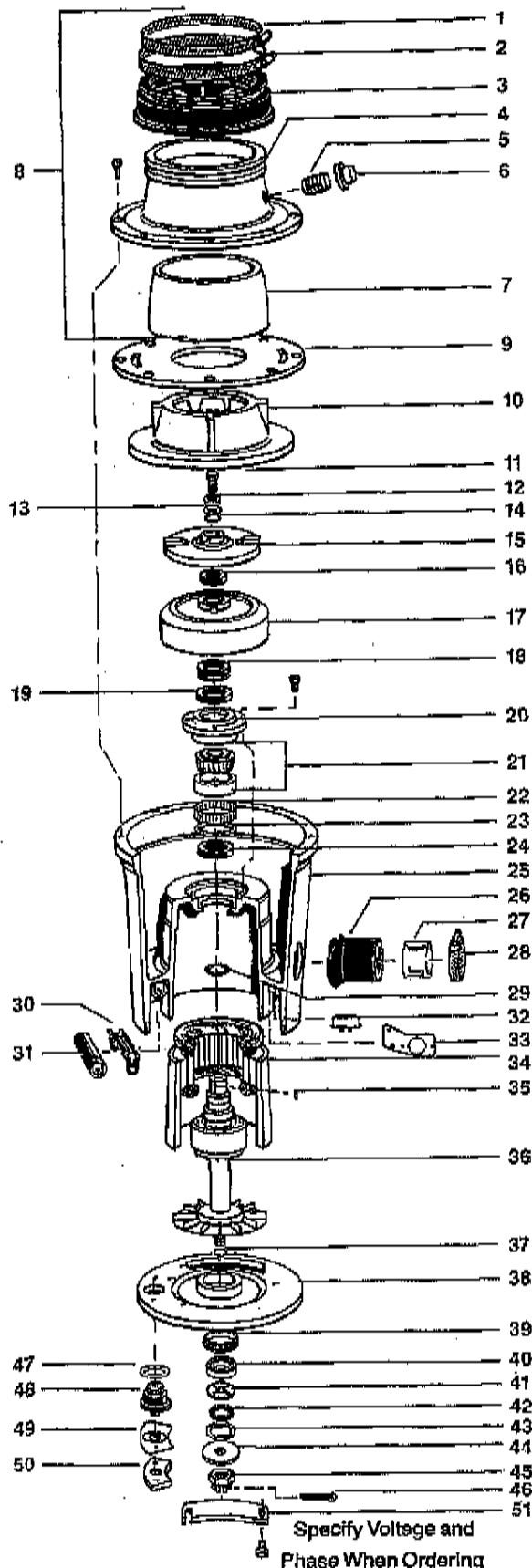


MODEL 100-10 SHREDDERS G



Index	Part No.	Description
1	M116	Clamp
2	M128	Clamp
3	2357A	Hycar Adapter w/Baffle
4	THL	Top Housing (avail. in THA1 only)
5	PN5	Nipple
6	PC	Cap
7	1200	Top Housing Insert (avail. in THA1 only)
8	THA1	Top Housing Assy. 100 (includes 1-7)
9	S1	Center Gasket (S) (C)
10	6S	Shredder (C)
11	38162	Rotor Bolt (C)
12	38L	Lock Washer (C)
13	997029	Flat Washer (C)
14	11012	O-Ring (S) (C)
15	1FP	Face Plate (C)
16	RSG	Rotor Shaft Gasket (S)
17	1RB	Rotor Base
18	VRCF	Condensation Flinger (S)
19	S67350	Varlip Seal (S)
20	993001	Top End Bell Insert (S)
21	985001	Top Bearing Cup/Cone (S)
22	ANL79X15S	Tolerance Ring (S)
23	12151	O-Ring (S)
24	S67350	Varlip Seal (S)
25	MH	Motor Housing
26	RDO	Rubber Drain Outlet
27	D1	Drain Insert
28	M40	Clamp
29	11026	O-Ring (S)
30	1410B	Capacitor Bracket (2 Req'd.)
31	E270B	Capacitor (2 Req'd.)
32	994071	Start Switch, 1PH Solid State
33	982097	Start Switch Bracket
34	1MH1	Stator w/Motor Housing Insert
35	31634	Key Way
36	991010	Motor Rotor 100-1 (G-Series)
37	996020	O-Ring (S)
38	BEBA123G	Bottom End Bell Assy. (G-Series)
39	996023	BEB Rubber Isolator (G-Series) (S)
40	6205	Bottom Bearing (S)
41	987002	Drive Washer (S)
42	996024	Friction Washer (G-Series) (S)
43	987003	Wave Washer (S)
44	987001	Retaining Washer (S)
45	997050	Castle Nut (S)
46	997051	Cotter Pin (S)
47	123	Klixon O-Ring
48	KL1001	Klixon
49	KLCG	Klixon Cover Gasket
50	KLC	Klixon Cover
51	JBCA	Junction Box Cover Assy.

Seal and Cutting Kits

KSG123	Seal Kit (All Models)
KC1	Cutting Kit (Model 100)

(S) Parts Included in Seal Kit
(C) Parts included in Cutting Kit



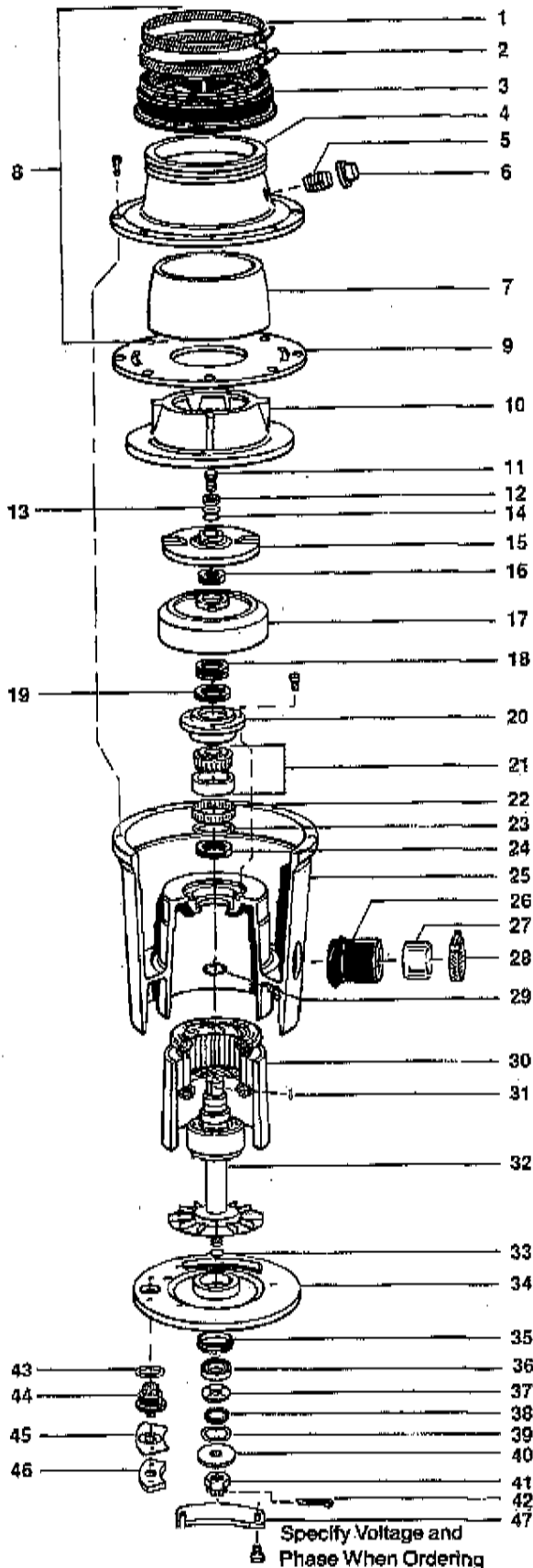
The Salvajor Company

4530 East 75th Terrace
Kansas City, Missouri 64132, U.S.A.
Call Toll-Free 1-800-821-3135
(816) 353-1030 Fax 1-800-832-9373

Printed in U.S.A.

Form No. SJ 100-10 PL 1292G

MODEL 100-30 SHREDDERS G



Index	Part No.	Description
1	M116	Clamp
2	M128	Clamp
3	2357A	Hycar Adapter w/Baffle
4	THL	Top Housing (avail. in THA1 only)
5	PN5	Nipple
6	PC	Cap
7	1200	Top Housing Insert (avail. in THA1 only)
8	THA1	Top Housing Assy. 100 (includes 1-7)
9	S1	Center Gasket (S) (C)
10	6S	Shredder (C)
11	38162	Rotor Bolt (C)
12	38L	Lock Washer (C)
13	997029	Flat Washer (C)
14	11012	O-Ring (S) (C)
15	1FP	Face Plate (C)
16	RSG	Rotor Shaft Gasket (S)
17	1RB	Rotor Base
18	VRCF	Condensation Flinger (S)
19	S67350	Varilip Seal (S)
20	993001	Top End Bell Insert (S)
21	985001	Top Bearing Cup/Cone (S)
22	ANL79X15S	Tolerance Ring (S)
23	12151	O-Ring (S)
24	S67350	Varilip Seal (S)
25	MH	Motor Housing
26	RDO	Rubber Drain Outlet
27	DI	Drain Insert
28	M40	Clamp
29	11026	O-Ring (S)
30	1MH1	Stator w/Motor Housing Insert
31	31634	Key Way
32	991014	Motor Rotor 100-3 (G-Series)
33	996020	O-Ring (S)
34	BEBA123G	Bottom End Bell Assy. (G-Series)
35	996023	BEB Rubber Isolator (G-Series) (S)
36	8205	Bottom Bearing (S)
37	987002	Drive Washer (S)
38	996024	Friction Washer (G-Series) (S)
39	987003	Wave Washer (S)
40	987001	Retaining Washer (S)
41	997050	Castle Nut (S)
42	997051	Cotter Pin (S)
43	123	Klixon O-Ring
44	KL1003	Klixon
45	KLOG	Klixon Cover Gasket
46	KLC	Klixon Cover
47	JBCA	Junction Box Cover Assy.

Seal and Cutting Kits

KSG123	Seal Kit (All Models)
KC1	Cutting Kit (Model 100)

(S) Parts included in Seal Kit
(C) Parts included in Cutting Kit

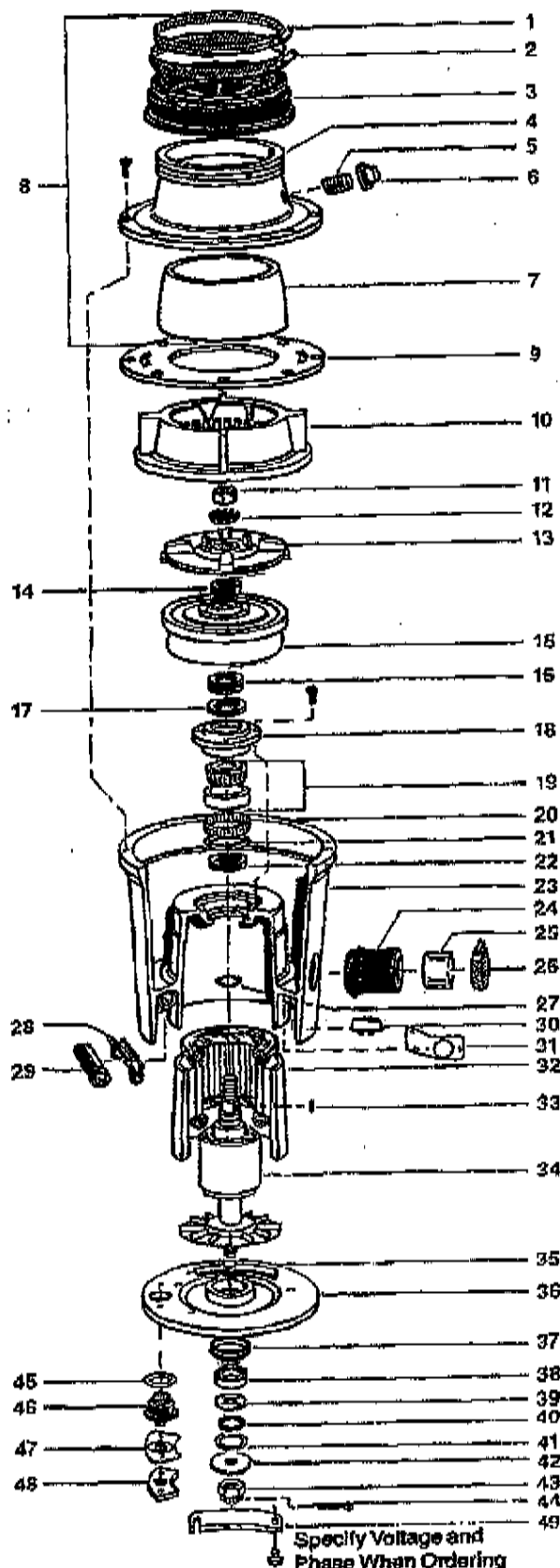
Post-it® Fax Note	7671	Date	5/25/10	# of pages	▶
To	Holly	From	Melissa		
Co./Dept.		Co.			
Phone #		Phone #			
Fax #	(800) 447-4881	Fax #			

9-24-1998 11:23AM

FROM SALVAJOR SERVICE 18006329373

P. 2

MODEL 150-1Ø SERIES G



Index	Part No.	Description
1	M116	Clamp
2	M128	Clamp
3	2357A	Hycar Adapter w/Baffle
4	THL	Top Housing (avail. in THA2 only)
5	PN5	Nipple
6	PC	Cap
7	THL1	Top Housing Insert (avail. in THA2 only)
8	THA2	Top Housing Assy. 200 (includes 1-7)
9	C109	Center Gasket (S) (C)
10	8S	Shredder (C)
11	7814RN	Rotor Nut (C)
12	RL	Lock Washer (C)
13	989004	Face Plate (C)
14	996025	Rotor Shaft Gasket (G-Series) (S)
15	983008	Rotor Base
16	VRCF	Condensation Flinger (S)
17	S67350	Varilip Seal (S)
18	983001	Top End Bell Insert (S)
19	985001	Top Bearing Cup/Cone (S)
20	ANL79X15S	Tolerance Ring (S)
21	12151	O-Ring (S)
22	S67350	Varilip Seal (S)
23	MH	Motor Housing
24	RDO	Rubber Drain Outlet
25	DI	Drain Insert
26	M40	Clamp
27	11026	O-Ring (S)
28	1410B	Capacitor Bracket (3 Req'd.)
29	E270B	Capacitor (3 Req'd.)
30	994071	Start Switch, 1PH Solid State
31	982097	Start Switch Bracket
32	2MH1	Stator w/Motor Housing Insert
33	997070	Key Way
34	991017	Motor Rotor 200-1 (G-Series)
35	996020	O-Ring (S)
36	8EBA123G	Bottom End Bell Assy. (G-Series)
37	996023	BEB Rubber Isolator (G-Series) (S)
38	8205	Bottom Bearing (S)
39	987002	Drive Washer (S)
40	998024	Friction Washer (G-Series) (S)
41	987003	Wave Washer (S)
42	987001	Retaining Washer (S)
43	997050	Castle Nut (S)
44	997051	Cotter Pin (S)
45	123	Klixon O-Ring
46	KL2001	Klixon
47	KLCG	Klixon Cover Gasket
48	KLC	Klixon Cover
49	JBCA	Junction Box Cover Assy.

Seal and Cutting Kits

KSG123	Seal Kit (All Models)
KCG2	Cutting Kit (Model 200)

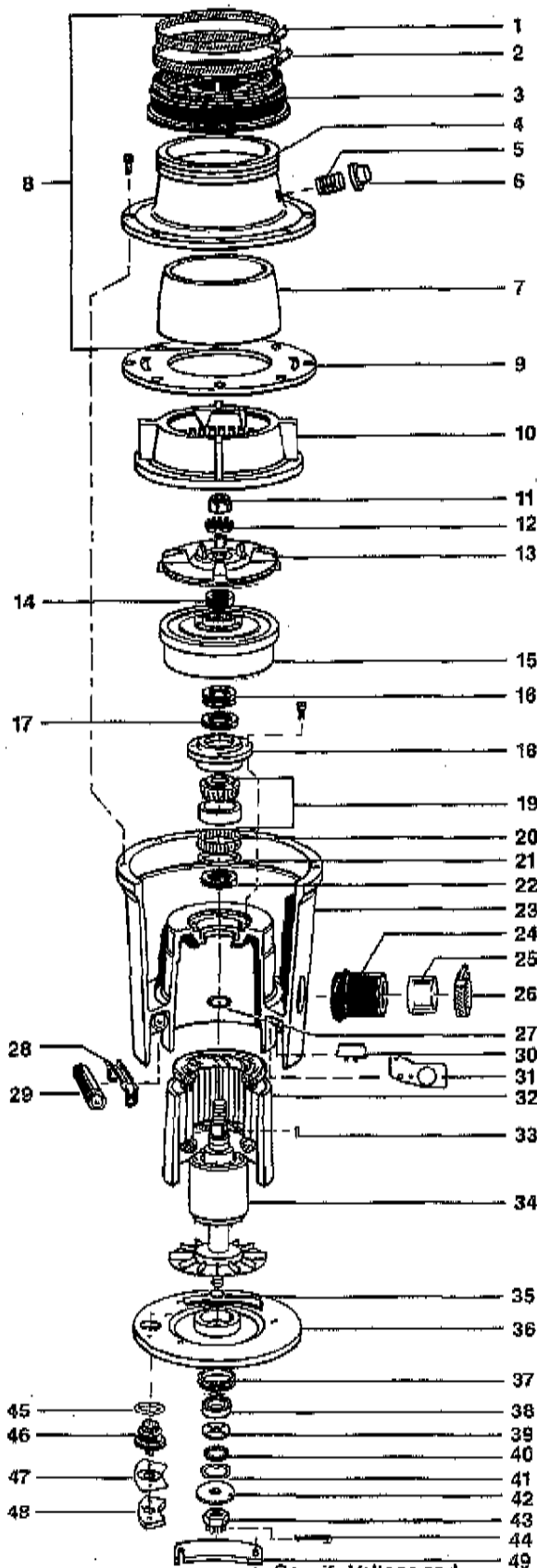
(S) Parts Included in Seal Kit
(C) Parts Included in Cutting Kit



The Salvajor Company
4830 East 78th Terrace
Kansas City, Missouri 64132, U.S.A.
Call Toll-Free 1-800-821-3138
(816) 962-1030 Fax 1-800-832-8273

Printed in U.S.A.
Form No. SJ 200-1Ø PL 12920

MODEL 200-10 **G**



Index	Part No.	Description
1	M116	Clamp
2	M128	Clamp
3	2357A	Hycar Adapter w/Baffle
4	THL	Top Housing (avail. in THA2 only)
5	PN5	Nipple
6	PC	Cap
7	THL1	Top Housing Insert (avail. in THA2 only)
8	THA2	Top Housing Assy. 200 (includes 1-7)
9	C109	Center Gasket (S) (C)
10	8S	Shredder (C)
11	7814RN	Rotor Nut (C)
12	RL	Lock Washer (C)
13	983004	Face Plate (C)
14	996025	Rotor Shaft Gasket (G-Series) (S)
15	983008	Rotor Base
16	VRGF	Condensation Flinger (S)
17	S67350	Varilip Seal (S)
18	993001	Top End Bell Insert (S)
19	985001	Top Bearing Cup/Cone (S)
20	ANL79X15S	Tolerance Ring (S)
21	12151	O-Ring (S)
22	S67350	Varilip Seal (S)
23	MH	Motor Housing
24	RDO	Rubber Drain Outlet
25	DI	Drain Insert
26	M40	Clamp
27	11026	O-Ring (S)
28	1410B	Capacitor Bracket (3 Req'd.)
29	E270B	Capacitor (3 Req'd.)
30	994071	Start Switch, 1PH Solid State
31	982097	Start Switch Bracket
32	2MH1	Stator w/Motor Housing Insert
33	997070	Key Way
34	991017	Motor Rotor 200-1 (G-Series)
35	996020	O-Ring (S)
36	BEBA123G	Bottom End Bell Assy. (G-Series)
37	996023	BEB Rubber Isolator (G-Series) (S)
38	6205	Bottom Bearing (S)
39	987002	Drive Washer (S)
40	996024	Friction Washer (G-Series) (S)
41	987003	Wave Washer (S)
42	987001	Retaining Washer (S)
43	997050	Castle Nut (S)
44	997051	Cotter Pin (S)
45	123	Klixon O-Ring
46	KL2001	Klixon
47	KLCG	Klixon Cover Gasket
48	KLC	Klixon Cover
49	JBCA	Junction Box Cover Assy.

Seal and Cutting Kits

KSG123	Seal Kit (All Models)
KCG2	Cutting Kit (Model 200)

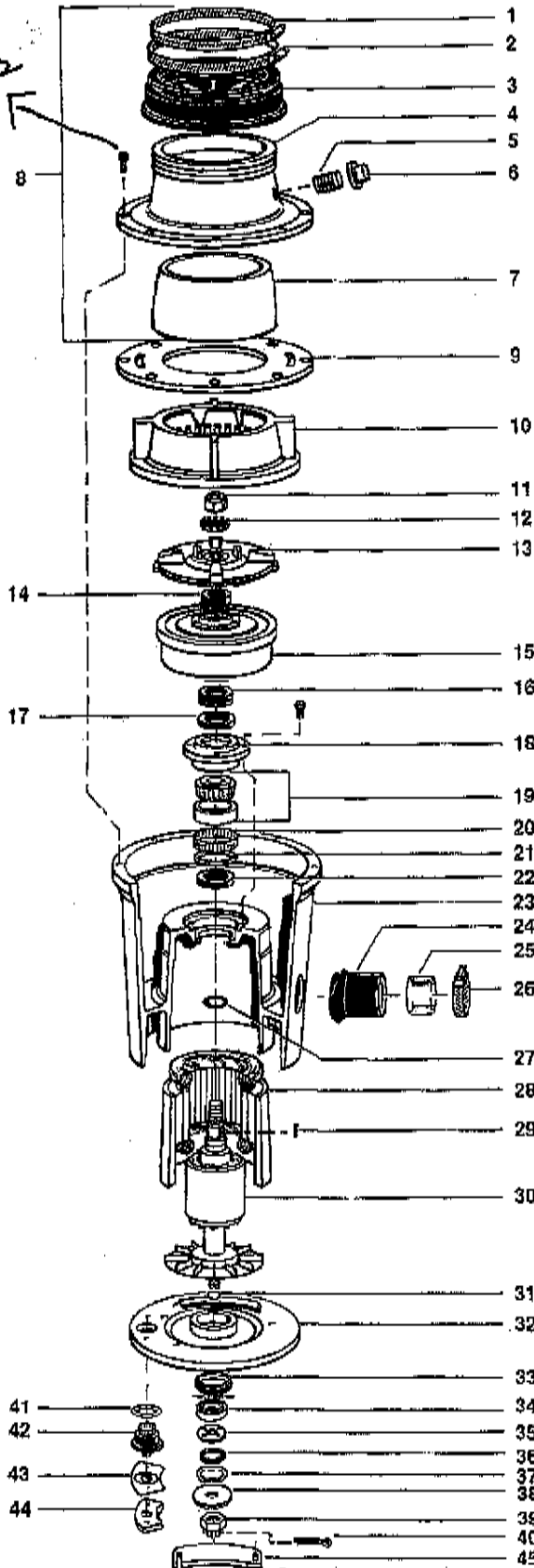
(S) Parts Included in Seal Kit
 (C) Parts Included in Cutting Kit



The Salvajor Company
 4530 East 75th Terrace
 Kansas City, Missouri 64132, U.S.A.
 Call Toll-Free 1-800-821-3135
 (816) 383-1030 Fax 1-800-832-8373

MANUAL 200-30 SALVAJORS G

997022



Index	Part No.	Description
1	M116	Clamp
2	M128	Clamp
3	2357A	Hycar Adapter w/Baffle
4	THL	Top Housing (avail. in THA2 only)
5	PN5	Nipple
6	PC	Cap
7	THL1	Top Housing Insert (avail. in THA2 only)
8	THA2	Top Housing Assy. 200 (includes 1-7)
9	C109	Center Gasket (S) (C)
10	8S	Shredder (C)
11	7814RN	Rotor Nut (C)
12	RL	Lock Washer (C)
13	983004	Face Plate (C)
14	996025	Rotor Shaft Gasket (G-Series) (S)
15	983008	Rotor Base
16	VRCF	Condensation Flinger (S)
17	S67350	Varlip Seal (S)
18	993001	Top End Bell Insert (S)
19	985001	Top Bearing Cup/Cone (S)
20	ANL79X15S	Tolerance Ring (S)
21	12151	O-Ring (S)
22	S67350	Varlip Seal (S)
23	MH	Motor Housing
24	RDC	Rubber Drain Outlet
25	DI	Drain Insert
26	M40	Clamp
27	11026	O-Ring (S)
28	2MMH	Stator w/Motor Housing Insert
29	997070	Key Way
30	991017	Motor Rotor 200-3 (G-Series)
31	996020	O-Ring (S)
32	BEB123G	Bottom End Bell Assy. (G-Series)
33	996023	BEB Rubber Isolator (G-Series) (S)
34	6205	Bottom Bearing (S)
35	987002	Drive Washer (S)
36	996024	Friction Washer (G-Series) (S)
37	987003	Wave Washer (S)
38	987001	Retaining Washer (S)
39	997050	Castle Nut (S)
40	997051	Cotter Pin (S)
41	123	Klixon O-Ring
42	KL2003	Klixon (reset)
43	KLOG	Klixon Cover Gasket
44	KLC	Klixon Cover
45	JBCA	Junction Box Cover Assy.

Seal and Cutting Kits

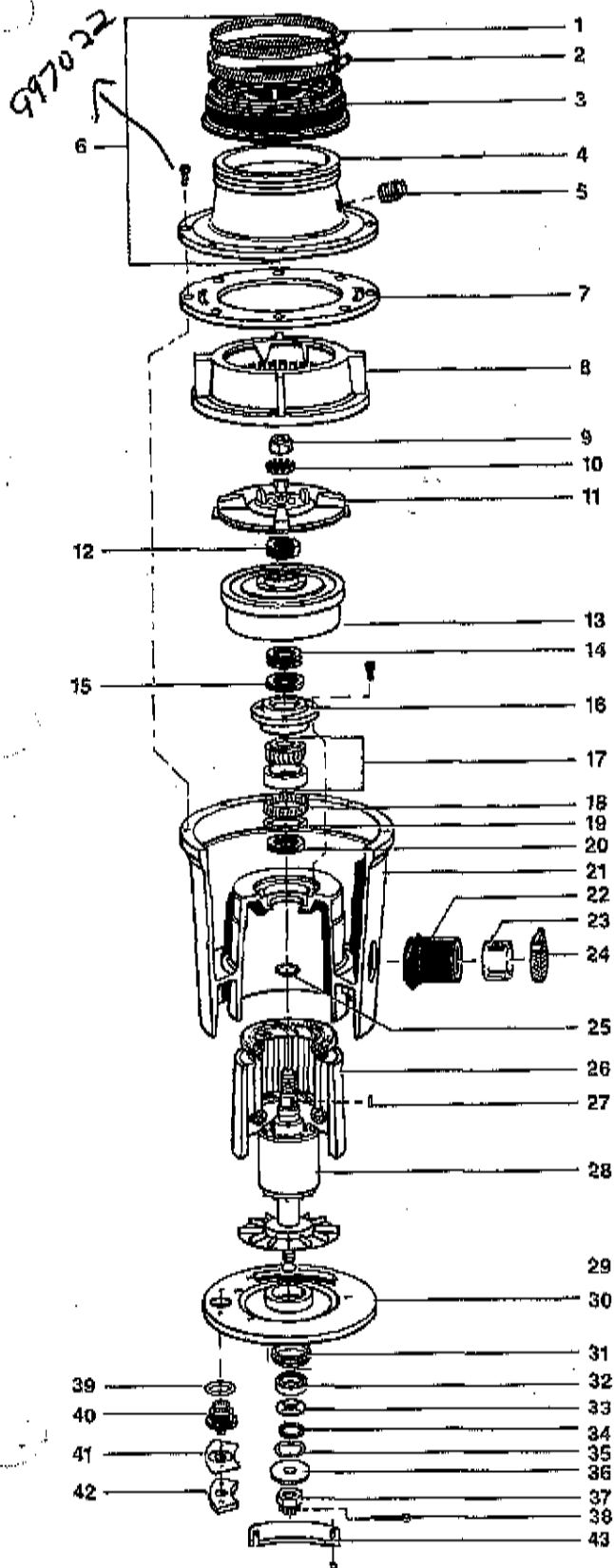
KSG123	Seal Kit (All Models)
KCG2	Cutting Kit (Model 200)

(S) Parts included in Seal Kit
(C) Parts included in Cutting Kit



The Salvajor Company
4530 East 75th Terrace
Kansas City, Missouri 64132, U.S.A.
Call Toll-Free 1-800-821-3138
(816) 383-1030 Fax 1-800-832-9373

MODEL 300 SHREDDERS G



Index	Part No.	Description
1	M116	Clamp
2	M128	Clamp
3	2357A	Hycar Adapter w/Baffle
4	THL	Top Housing (avail. in THA357 only)
5	PL5	Plug
6	THA357	Top Housing Assy. 300,500,750 (includes 1-5)
7	C109	Center Gasket (S) (C)
8	9S	Shredder (C)
9	7814RN	Rotor Nut (C)
10	RL	Lock Washer (C)
11	983005	Face Plate (C)
12	996025	Rotor Shaft Gasket (G-Series) (S)
13	983008	Rotor Base
14	VRCF	Condensation Flinger (S)
15	S67350	Varlip Seal (S)
16	993001	Top End Bell Insert (S)
17	985001	Top Bearing Cup/Cone (S)
18	ANL79X15S	Tolerance Ring (S)
19	12161	O-Ring (S)
20	S87350	Varlip Seal (S)
21	MH	Motor Housing
22	RDO	Rubber Drain Outlet
23	DI	Drain Insert
24	M40	Clamp
25	11026	O-Ring (S)
26	3MHI	Stator w/Motor Housing Insert
27	997070	Key Way
28	991020	Motor Rotor
29	996020	O-Ring (S)
30	BEBA123G	Bottom End Bell Assy. (G-Series)
31	996023	BEB Rubber Isolator (G-Series) (S)
32	6205	Bottom Bearing (S)
33	987002	Drive Washer (S)
34	996024	Friction Washer (G-Series) (S)
35	987003	Wave Washer (S)
36	987001	Retaining Washer (S)
37	997050	Castle Nut (S)
38	997051	Cotter Pin (S)
39	123	Klixon O-Ring
40	KL3003	Klixon
41	KLCG	Klixon Cover Gasket
42	KLC	Klixon Cover
43	JBCA	Junction Box Cover Assy.

Seal and Cutting Kits

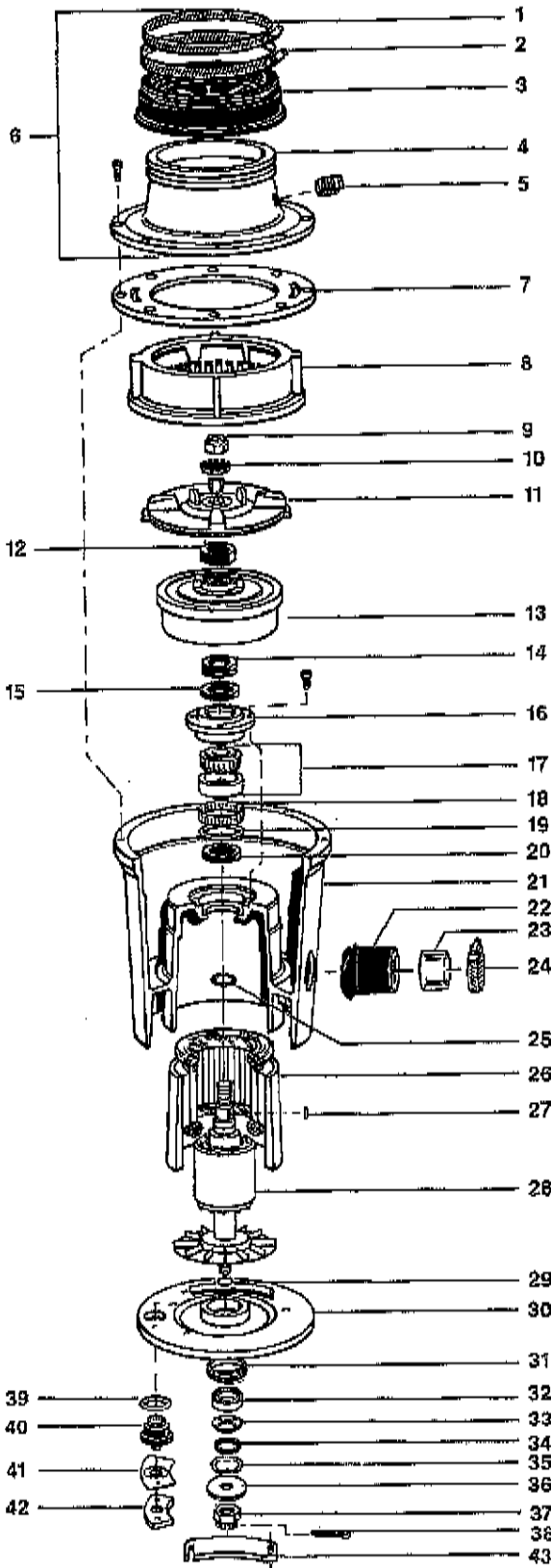
KSG123	Seal Kit (All Models)
KCG3	Cutting Kit (Model 300)

(S) Parts included in Seal Kit
(C) Parts included in Cutting Kit

Specify Voltage and Phase When Ordering

Post-It* Fax Note	7671	Date	# of pages
To	WYNN	From	
Co./Dept.		Co.	
Phone #		Phone #	
Fax #	64-875-0911	Fax #	

MODEL 500 SERIES G



Index	Part No.	Description
1	M116	Clamp
2	M128	Clamp
3	2357A	Hycar Adapter w/Baffle
4	THL	Top Housing (avail. in THA357 only)
5	PL5	Plug
6	THA357	Top Housing Assy. 300,500,750 (includes 1-5)
7	C109	Center Gasket (S) (C)
8	10S	Shredder (C)
9	7814RN	Rotor Nut (C)
10	RL	Lock Washer (C)
11	983006	Face Plate (C)
12	996025	Rotor Shaft Gasket (G-Series) (S)
13	983008	Rotor Base
14	VRCF	Condensation Flinger (S)
15	S67350	Varlip Seal (S)
16	993001	Top End Bell Insert (S)
17	985001	Top Bearing Cup/Cone (S)
18	ANL79X15S	Tolerance Ring (S)
19	12151	O-Ring (S)
20	S67350	Varlip Seal (S)
21	MH	Motor Housing
22	RDO	Rubber Drain Outlet
23	DI	Drain Insert
24	M40	Clamp
25	11026	O-Ring (S)
26	5MH1	Stator w/Motor Housing Insert
27	997070	Key Way
28	F5318	Motor Rotor
29	996020	O-Ring (S)
30	BEBA5G	Bottom End Bell Assy. (G-Series)
31	996023	BEB Rubber Isolator (G-Series) (S)
32	6205	Bottom Bearing (S)
33	987002	Drive Washer (S)
34	996024	Friction Washer (G-Series) (S)
35	987003	Wave Washer (S)
36	987001	Retaining Washer (S)
37	997050	Castle Nut (S)
38	997051	Cotter Pin (S)
39	222	Klixon O-Ring
40	KL5003	Klixon
41	KLCG	Klixon Cover Gasket
42	KLC	Klixon Cover
43	JBCA	Junction Box Cover Assy.

Seal and Cutting Kits

KSG123	Seal Kit (All Models)
KCG5	Cutting Kit (Model 500)

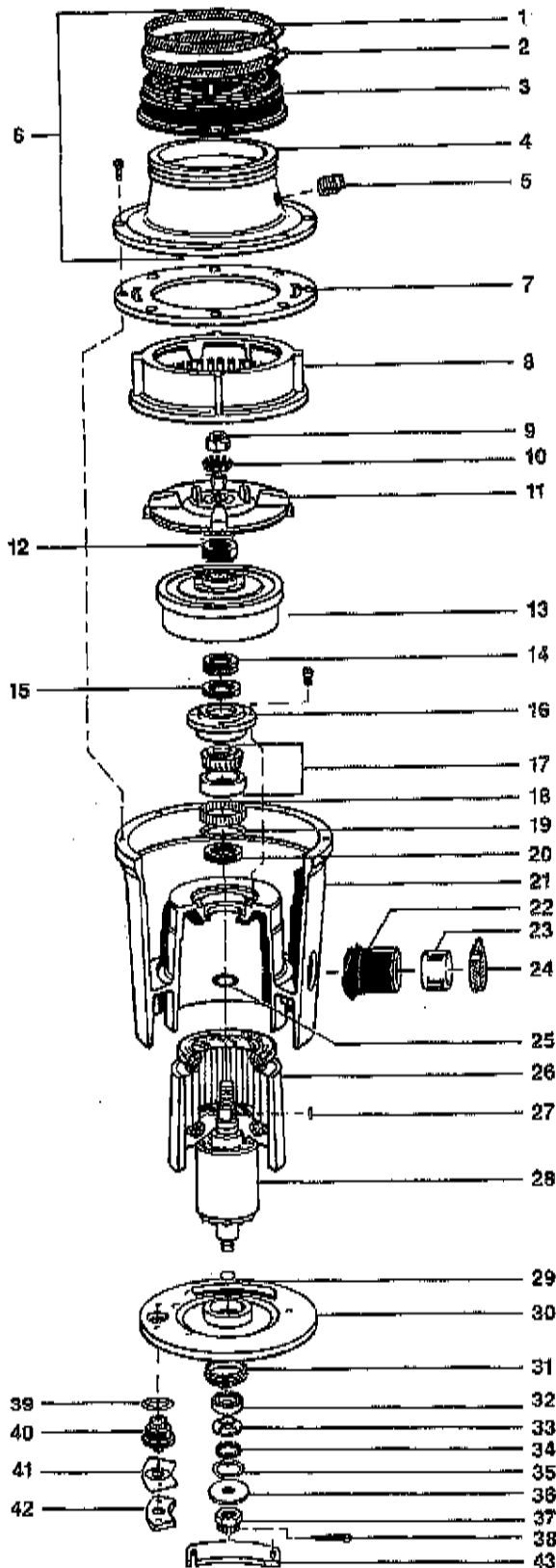
(S) Parts Included in Seal Kit
 (C) Parts Included in Cutting Kit

Specify Voltage and Phase When Ordering



The Salvajor Company
 4530 East 76th Terrace
 Kansas City, Missouri 64132, U.S.A.
 Call Toll-Free 1-800-821-3135
 (816) 383-1090 Fax 1-800-832-9373

MODEL 750 SHREDDERS G



Index	Part No.	Description
1	M116	Clamp
2	M128	Clamp
3	2357A	Hycar Adapter w/Baffle
4	THL	Top Housing (avail. in THA357 only)
5	PL5	Plug
6	THA357	Top Housing Assy. 300,500,750 (includes 1-5)
7	C109	Center Gasket (S) (C)
8	10S	Shredder (C)
9	7814RN	Rotor Nut (C)
10	RL	Lock Washer (C)
11	983007	Face Plate (C)
12	996025	Rotor Shaft Gasket (G-Series) (S)
13	983008	Rotor Base
14	VRCF	Condensation Flinger (S)
15	S67350	Varlip Seal (S)
16	993001	Top End Bell Insert (S)
17	986001	Top Bearing Cup/Cone (S)
18	ANL79X15S	Tolerance Ring (S)
19	12151	O-Ring (S)
20	S67350	Varlip Seal (S)
21	MH	Motor Housing
22	RDO	Rubber Drain Outlet
23	DI	Drain Insert
24	M40	Clamp
25	11026	O-Ring (S)
26	7MHI	Stator w/Motor Housing Insert
27	997070	Key Way
28	F7518	Motor Rotor
29	996020	O-Ring (S)
30	BEBA7G	Bottom End Bell Assy. (G-Series)
31	996023	BEB Rubber Isolator (G-Series) (S)
32	6205	Bottom Bearing (S)
33	987002	Drive Washer (S)
34	996024	Friction Washer (G-Series) (S)
35	987003	Wave Washer (S)
36	987001	Retaining Washer (S)
37	997050	Castle Nut (S)
38	997051	Cotter Pin (S)
39	222	Klixon O-Ring
40	KL75003	Klixon
41	KLOG	Klixon Cover Gasket
42	KLC	Klixon Cover
43	JBCA	Junction Box Cover Assy.

Seal and Cutting Kits

KSG123	Seal Kit (All Models)
KCG7	Cutting Kit (Model 750)

(S) Parts included in Seal Kit
(C) Parts included in Cutting Kit

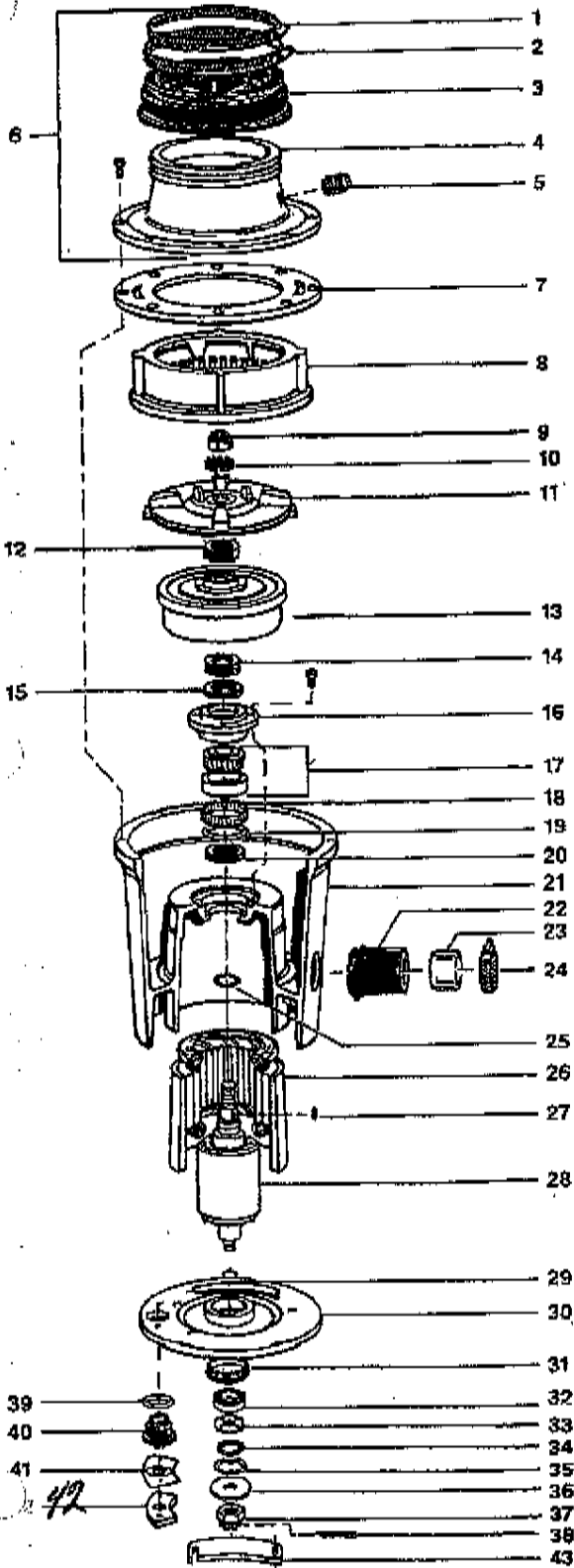
Specify Voltage and Phase When Ordering



The Salvajor Company
4530 East 75th Terrace
Kansas City, Missouri 64132, U.S.A.
Call Toll-Free 1-800-821-3138
(816) 363-1030 Fax 1-800-832-9878

Printed in U.S.A.
Form No. SJ 750 PL 1292G

750 / 1000



Index	Part No.	Description
1	M116	Clamp
2	M128	Clamp
3	2357A	Hycar Adapter w/Baffle
4	THL	Top Housing (avail. in THA357 only)
5	PL5	Plug
6	THA357	Top Housing Assy. 300,500,750 (includes 1-5)
7	C109	Center Gasket (S) (C)
8	10S	Shredder (C)
9	7814RN	Rotor Nut (C)
10	RL	Lock Washer (C)
11	983007	Face Plate (C)
12	996025	Rotor Shaft Gasket (G-Series) (S)
13	983008	Rotor Base
14	VRCF	Condensation Flinger (S)
15	S67350	Varlip Seal (S)
16	993001	Top End Ball Insert (S)
17	985001	Top Bearing Cup/Cone (S)
18	ANL79X15S	Tolerance Ring (S)
19	12151	O-Ring (S)
20	S67350	Varlip Seal (S)
21	MH	Motor Housing
22	RDO	Rubber Drain Outlet
23	DI	Drain Insert
24	M40	Clamp
25	11026	O-Ring (S)
26	7MH1	Stator w/Motor Housing Insert
27	997070	Key Way
28	F7518	Motor Rotor
29	996020	O-Ring (S)
30	BEBA7G	Bottom End Bell Assy. (G-Series)
31	996023	BEB Rubber Isolator (G-Series) (S)
32	8205	Bottom Bearing (S)
33	987002	Drive Washer (S)
34	996024	Friction Washer (G-Series) (S)
35	987003	Wave Washer (S)
36	987001	Retaining Washer (S)
37	997050	Castle Nut (S)
38	997051	Cotter Pin (S)
39	222	Klixon O-Ring
40	KL75003	Klixon
41	KLCG	Klixon Cover Gasket
42	KLC	Klixon Cover
43	JBCA	Junction Box Cover Assy.

1000G Parts Different

Seal and Cutting Kits

KSG123	Seal Kit (All Models)
KCG7	Cutting Kit (Model 750)

(S) Parts included in Seal Kit
(C) Parts included in Cutting Kit

** MOTOR PART ARE DIFFERENT ON 1000 G*



The Salvajor Company
4530 East 75th Terrace
Kansas City, Missouri 64132, U.S.A.
Call Toll-Free 1-800-821-3136
(916) 383-1030 Fax 1-800-832-9373

Specify Voltage and Phase When Ordering