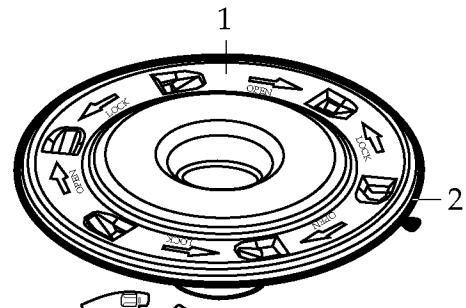
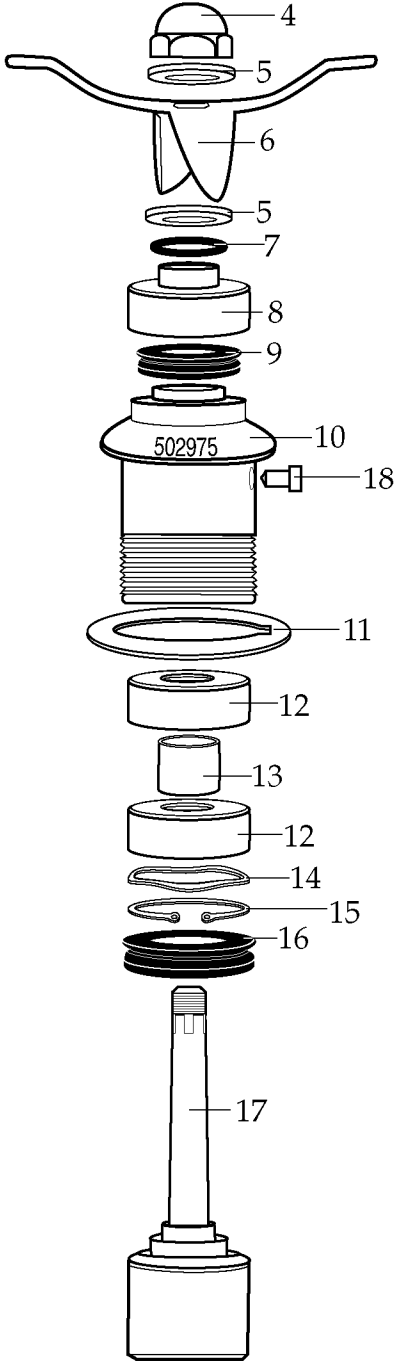
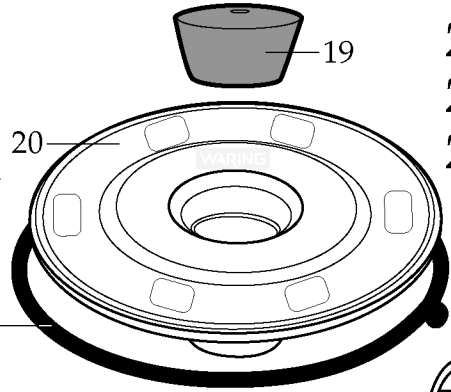




**24CB9E** / 220 Volt Europe  
**24CB10** / 240 Volt  
**24CB1B** / 24CB10 Base Unit ONLY



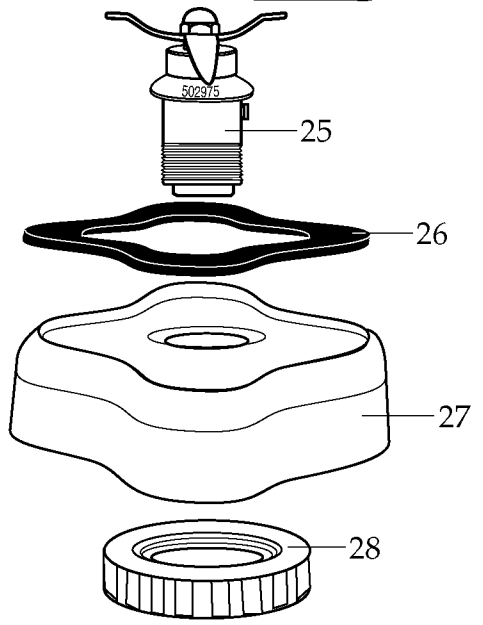
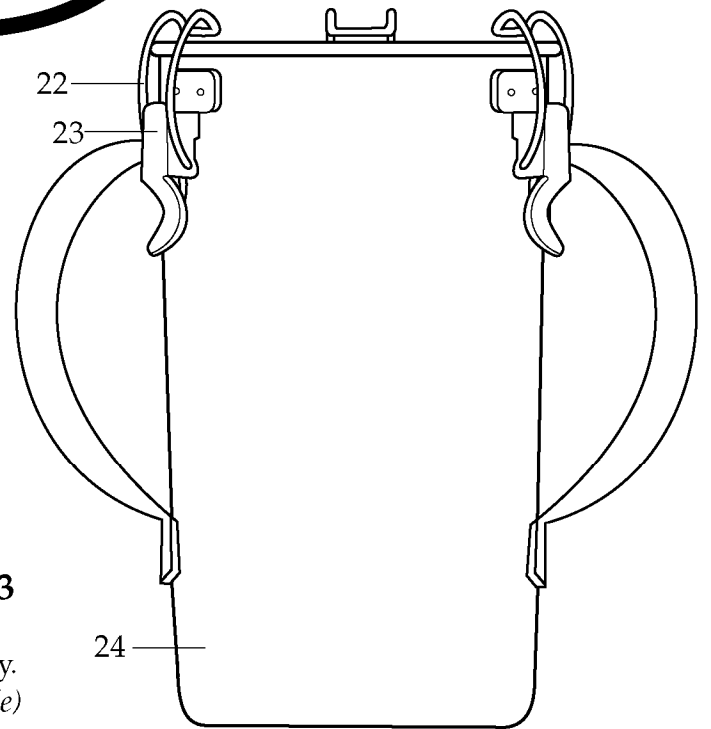
**CBL10**  
 Hot Blending Lid  
*(optional)*



**502975 or 502493X**  
 Blending Assembly  
*(replaces 502493)*

**Parts to old 502493 Blending Assy.**  
 different from new Assy.  
*(limited quantities available)*  
 018397 - Washer  
 018388 - O Ring  
 023903 - Bearing Cap

**Parts to old 501838 Blending Assy.**  
 different from 502493 Assy.  
*(limited quantities available)*  
 018396 - Blade  
 018387 - Spacer  
 018394 - Drive Shaft  
 018438 - Bearing Holder  
 018383 - Bearing Cap



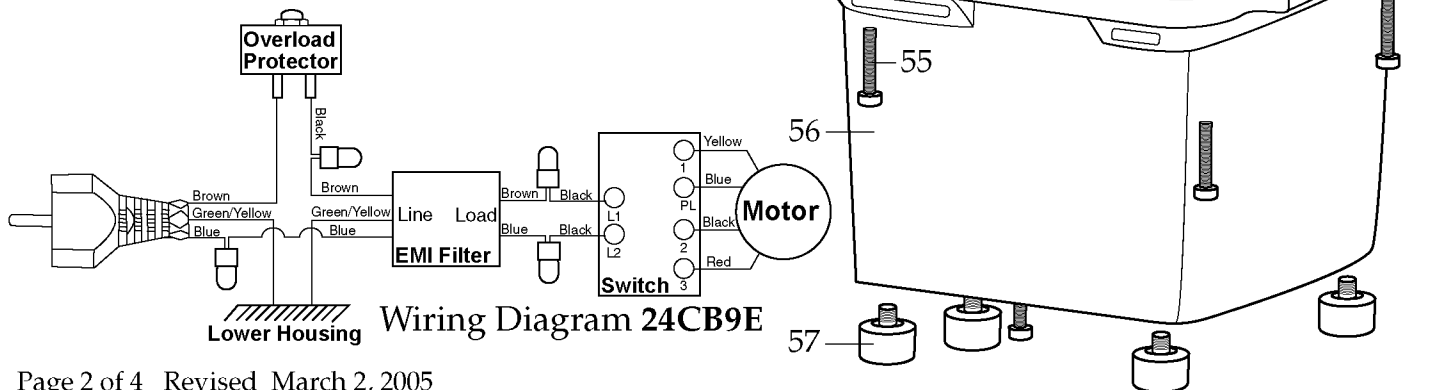
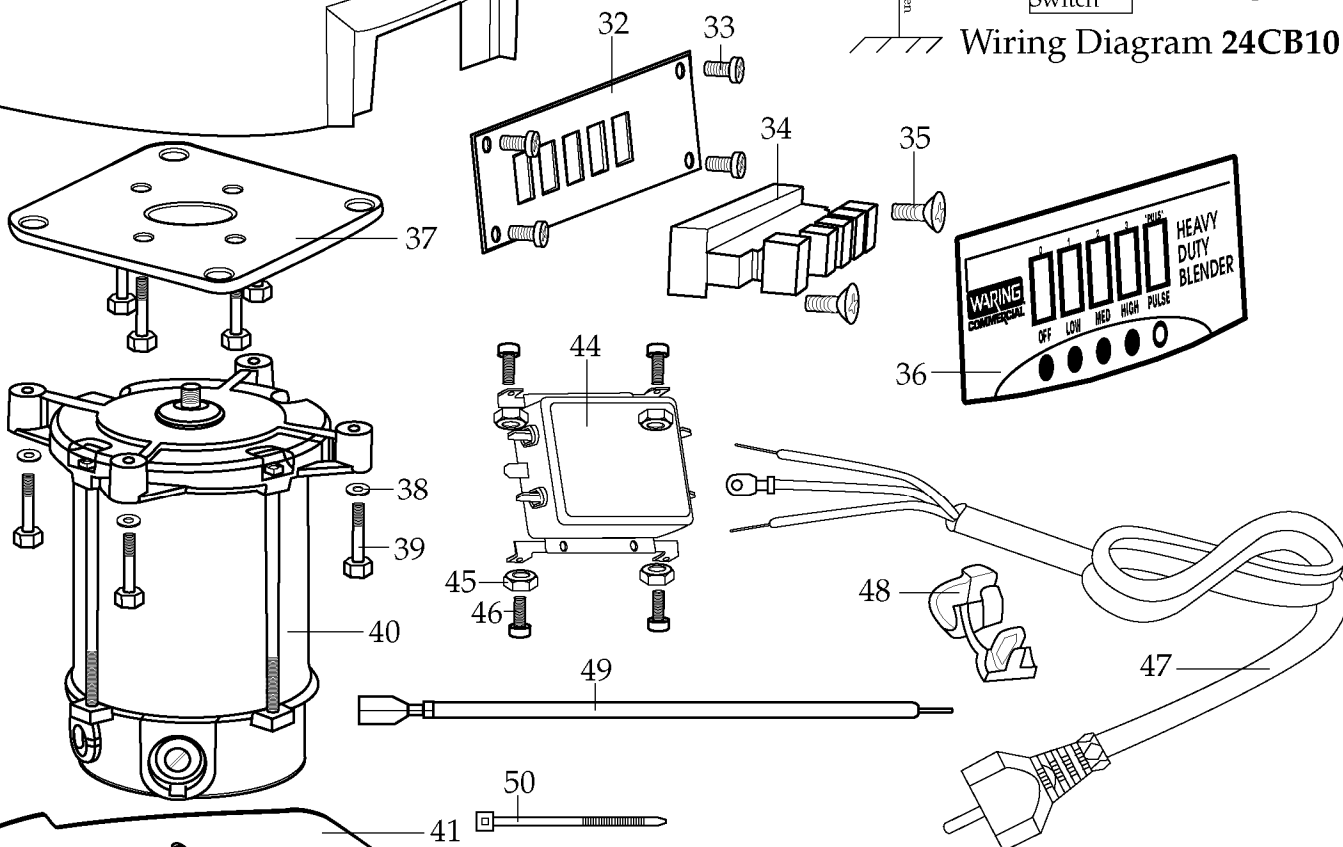
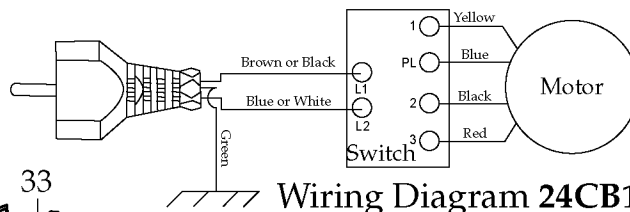
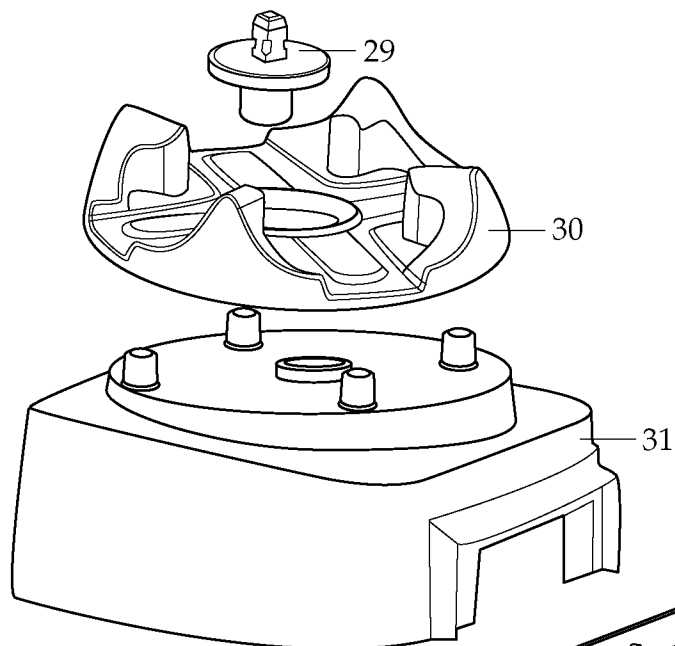
**501866** - Container with Blending Assy.

# WARING COMMERCIAL

24CB9E/220 Volt Europe

24CB10/240 Volt

24CB1B/24CB10 Base Unit ONLY



<b>Catalog#</b>	<b>Model</b>
24CB9E	38BL30
24CB10	38BL60



<b>Illustration #</b>	<b>Part #</b>	<b>Description</b>
1	024000	Outer Lid /polycarbonate for hot blending
2	026496	Gasket /plastic outer lid
3	023998	Baffle Cup for hot blending lid
4	002972	Cap Nut
5	027581	Washer /flat
6	024196	Blade
7	018389	"O" Ring
8	027582	Bearing Cap
9	018390	"V" Ring /small
10	023934	Bearing Holder
11	004946	Washer /teflon
12	018386	Bearing
13	023926	Spacer
14	023907	Spring Washer
15	023927	Retaining Ring
16	023906	"V" Ring /large
17	023933	Drive Shaft
18	025817	Key
19	013470	Stopper
20	023999	Plastic Outer Lid
	013469	Stainless Steel Outer Lid
21	026496	Gasket /plastic lid
	017442	Gasket /stainless steel lid
22	008791	Latch Wire 3 Req.'d
23	502773	Bracket Assy. /spot welded to container 3 Req.'d ( <i>current production</i> )
	017847	Bracket Assy. /spot welded to container 3 Req.'d ( <i>older units</i> )
24	023909	Double Handle Container
25	502975	Blending Assy. /complete
26	004949	Gasket /container base
27	025571	Container Support /container base
28	012008	Lock Nut
29	502696	Coupling Assy.
30	025871	Jar Pad /one piece
31	502827	Top Housing with one piece Jar Pad
32	018796	Switch Plate

**Catalog#**

24CB9E

24CB10

**Model**

38BL30

38BL60



<b>Illustration #</b>	<b>Part #</b>	<b>Description</b>
33	019154	Screw 4 Req.'d
34	018794	Switch
35	008412	Screw /switch 2 Req.'d
36	018797	Name Plate
37	018787	Mounting Plate
38	002984	Washer use with 015434 screw 8 Req.'d
39	015434	Screw /holds mounting plate to motor 4 Req.'d
	015434	Screw /holds mounting plate & motor to top hsg. 4 Req.'d
40	026986	Motor
41	018792	Baffle
42	016317	Screw 3 Req.'d
43	019188	Screen for 24CB9E
	018791	Screen for 24CB10
44	501953	Filter & Bracket for 24CB9E
45	002881	Kep Nut 4 Req.'d for 24CB9E
46	016446	Screw 4 Req.'d for 24CB9E
47	501955	Cord Set for 24CB9E
	502783	Cord Set for 24CB10
48	018811	Strain Relief
49	501965	Black Lead Assy. 3 Req.'d for 24CB9E
50	013731	Cable Tie 8 Req.d for 24CB9E 2 Req.'d for 24CB10
	019190	Cable Tie 3 Req.'d
51	015337	Washer /ground - 2 Req.'d for 24CB9E 1 Req.'d for 24CB10
52	016690	Screw /ground - 2 Req.'d for 24CB9E 1 Req.'d for 24CB10
53	019058	Over Load Protector for 24CB9E
54	019123	Crimp Connector 4 Req.'d for 24CB9E
55	019098	Screw 4 Req.'d
56	019186	Bottom Housing for 24CB9E
	018783	Bottom Housing for 24CB10
57	018790	Foot 4 Req.'d

**Item Not Shown**027381 - Brush & Spring (*current production*)

019790 - Brush &amp; Spring 2 Req.'d /Stature Motor Post Jan. 2004

027031 - Brush Cap 2 Req.'d /Stature Motor Post Jan 2004

023123 - Aligning Tool (*older units*)