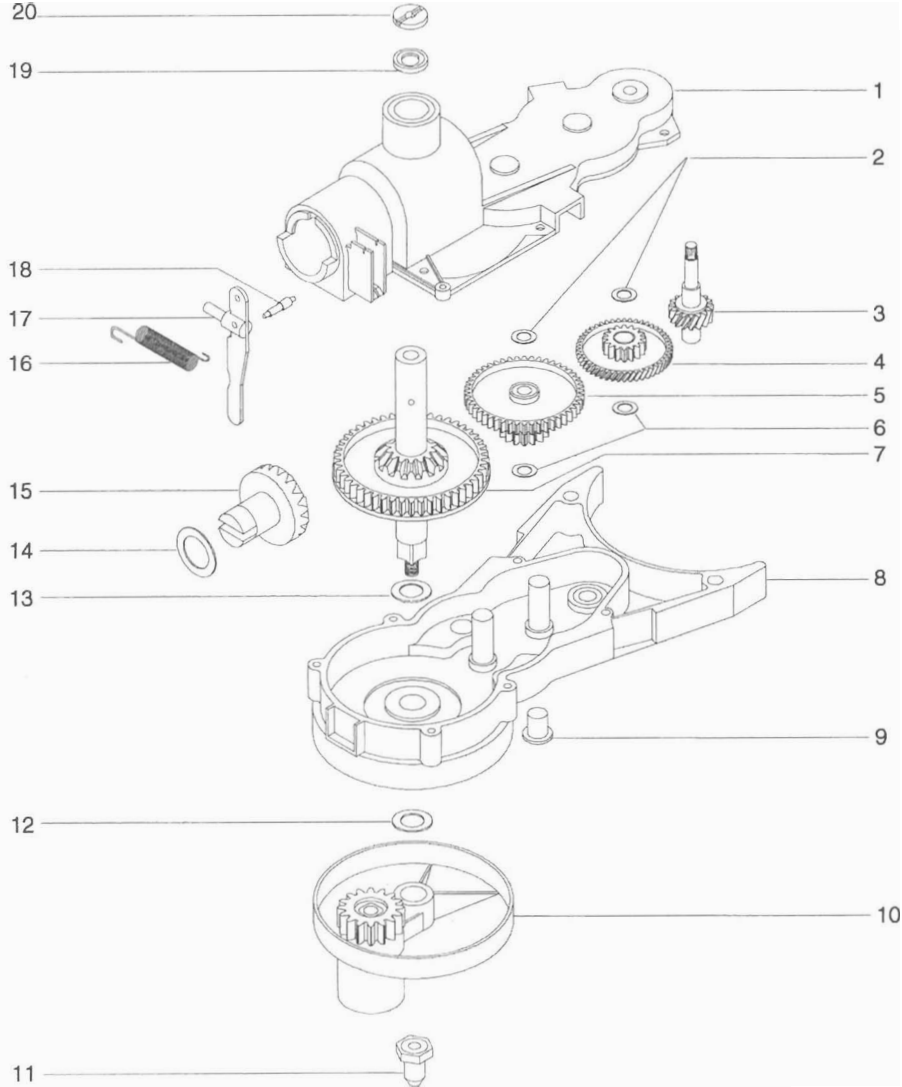


<b>ITEM</b>	<b>PART NUMBER</b>	<b>DESCRIPTION</b>
1	644105	REAR COVER (MAGNET FIXING)
1 & 2	648242	LIQUIDISER COVER KIT
2	353768	SPIGOT
	648199	SPIGOT (CLIP FIXING)
3	353770	SPIGOT SEAT PLATE
4	644129	TOP COVER
5	644143	BODY UPPER TRIM
6	614150	GUARD
7	401864	SUPPORT PAD - TOP COVER
8	645123	FRONT COVER ASSEMBLY
9	643888	SLOW SPEED OUTLET COVER SCREW

# PM900

## Service Information Issue 9



<b>ITEM</b>	<b><u>PART NUMBER</u></b>	<b><u>DESCRIPTION</u></b>
	645159	MOTOR/CONTROLLER 240 V .
	616689	MOTOR/CONTROLLER 120 V
	645496	CONTROL KNOB REMOVAL TOOL
1	645666	CONTROL KNOB INSERT (CHROME)
2	645678	CONTROL KNOB
3	643840	CONTROL KNOB MOUNTING
4	177530	SPRING
5	645680	SPEED CONTROL CAM - WITHOUT PULSE
6	602561	TORSION SPRING
7	435035	CONTROL BAR ASSEMBLY 220/240 V
	457497	CONTROL BAR ASSEMBLY 120 V
8	353055	SCREW HEX M4 X 35
9	343567	LOCKING CLIP
10	428604	FAN & MAGNET ASSEMBLY
11	404165	CUTOFF 120 V ONLY
12	177712	CONTACT ADJUSTING SPRING
13	616897	CONTROLLER HOUSING ASSEMBLY
14	601177	COMMUTATOR END FRAME ASSEMBLY
15	645707	DRILLED ARMATURE ASSY 220/240 V
	645692	DRILLED ARMATURE ASSY 120 V
16	462466	TENSION PIN
17	613936	SMALL PULLEY
18	601153	DRIVE END FRAME ASSEMBLY
19	605965	FIELD ASSEMBLY 240 V
	609947	FIELD ASSEMBLY 120 V
20	428587	SIDE CHEEK
21	609765	BRUSH BOX
22	171407	BRUSH GUIDE
23	357207	BRUSH CONNECTOR
24	607470	BRUSH ASSEMBLY 120/220/240 V
25	338421	CAPACITOR
26	618651	BRUSH RETAINER
27	618663	BRUSH CAP