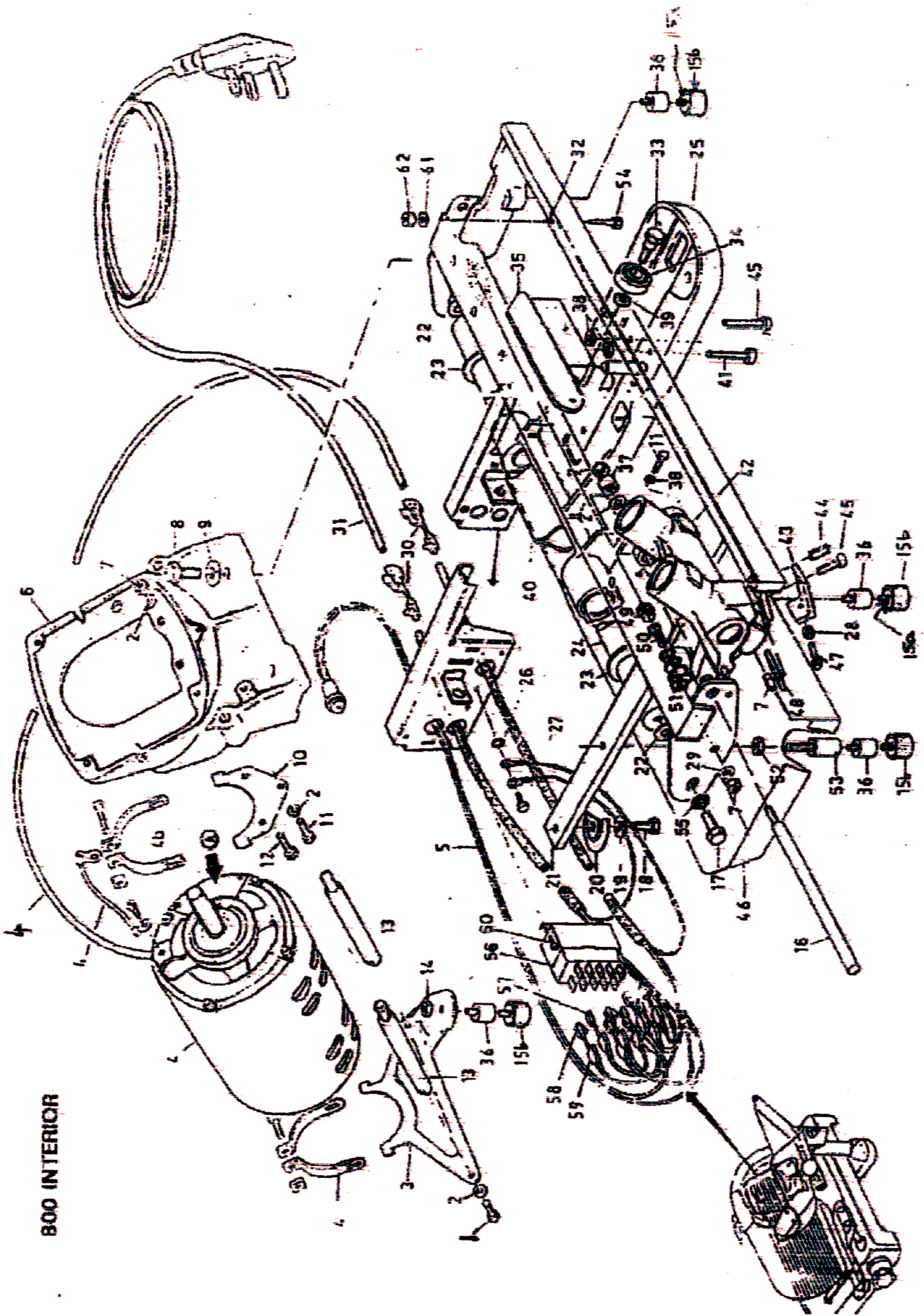
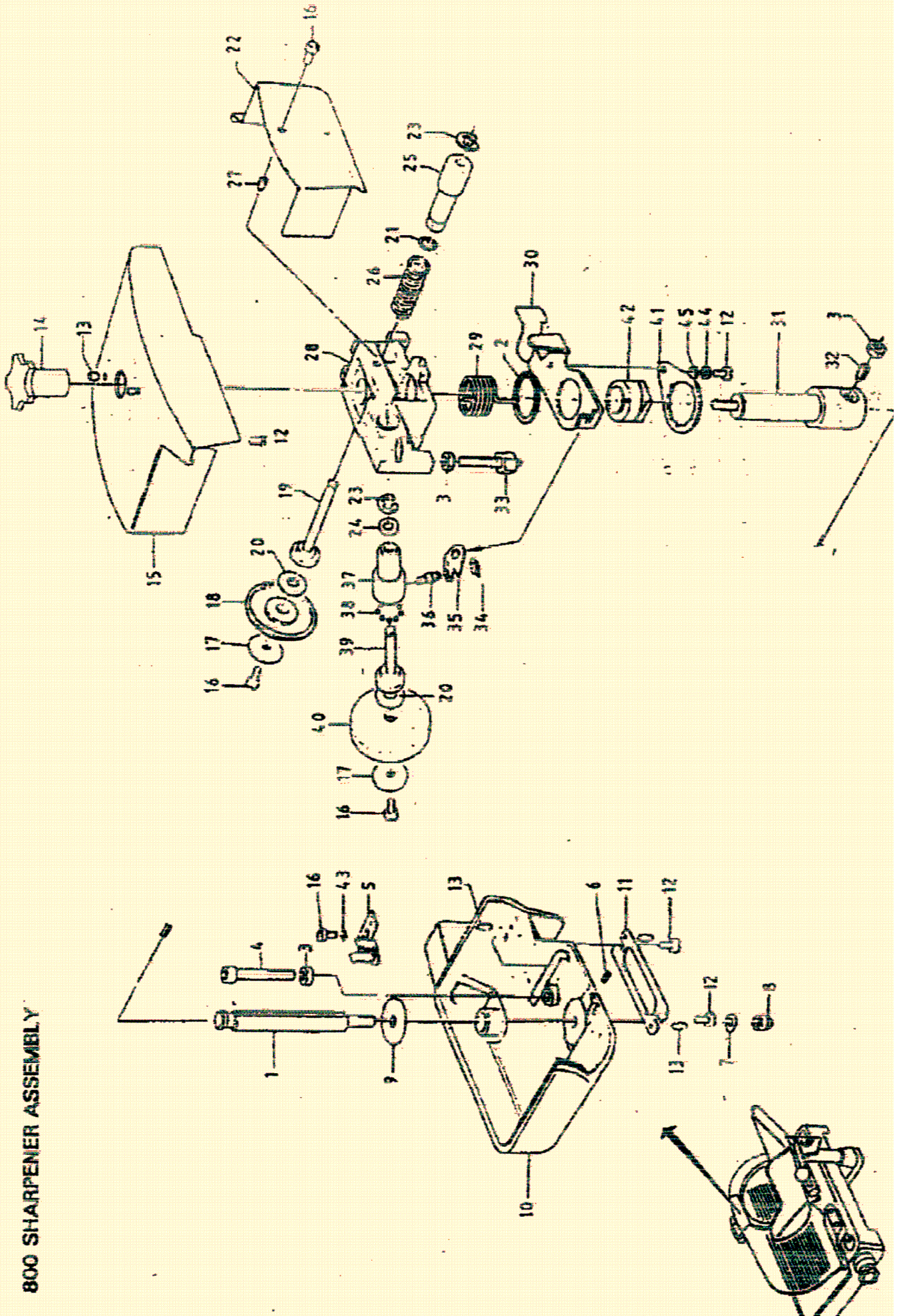


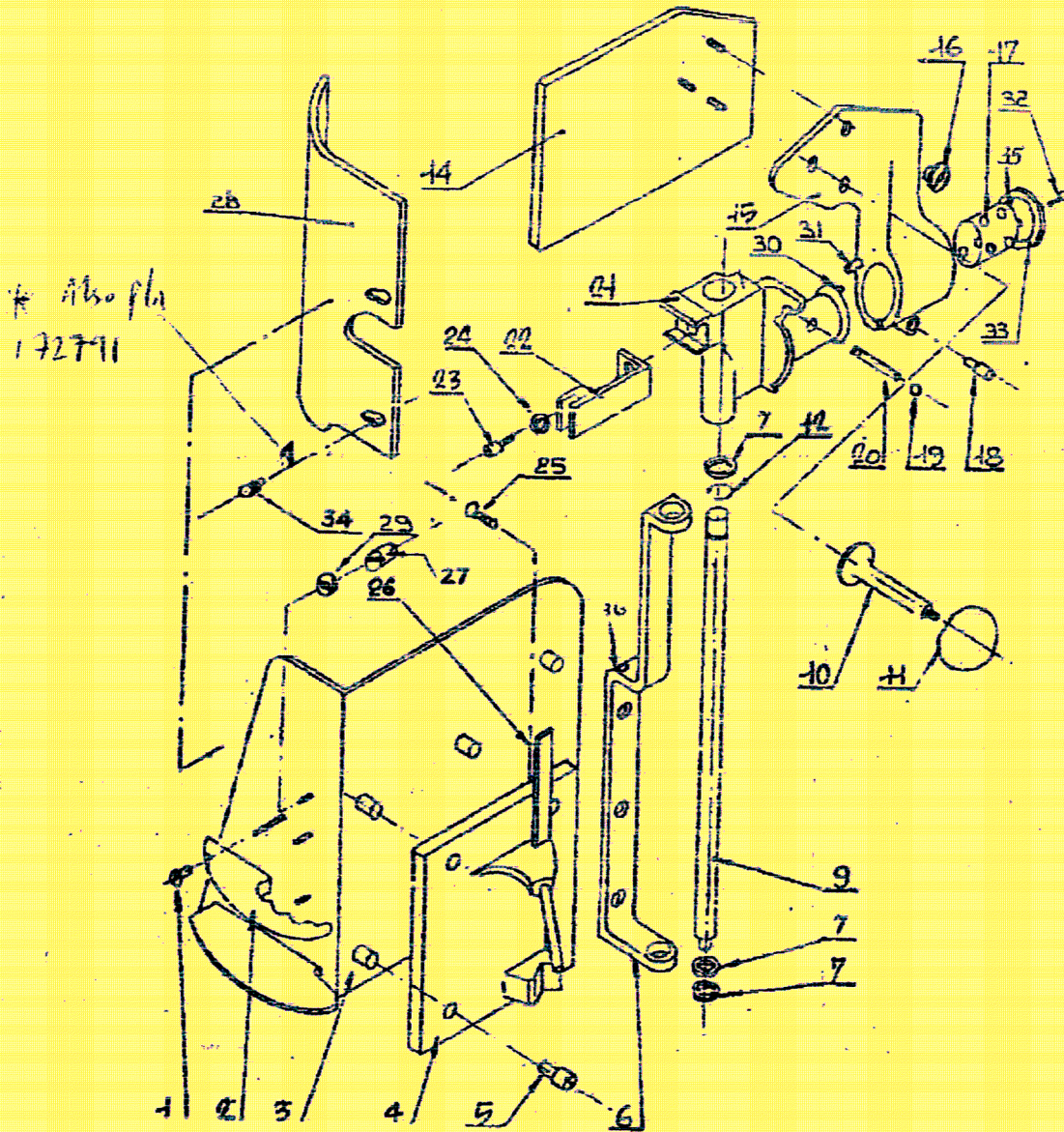
800 INTERIOR



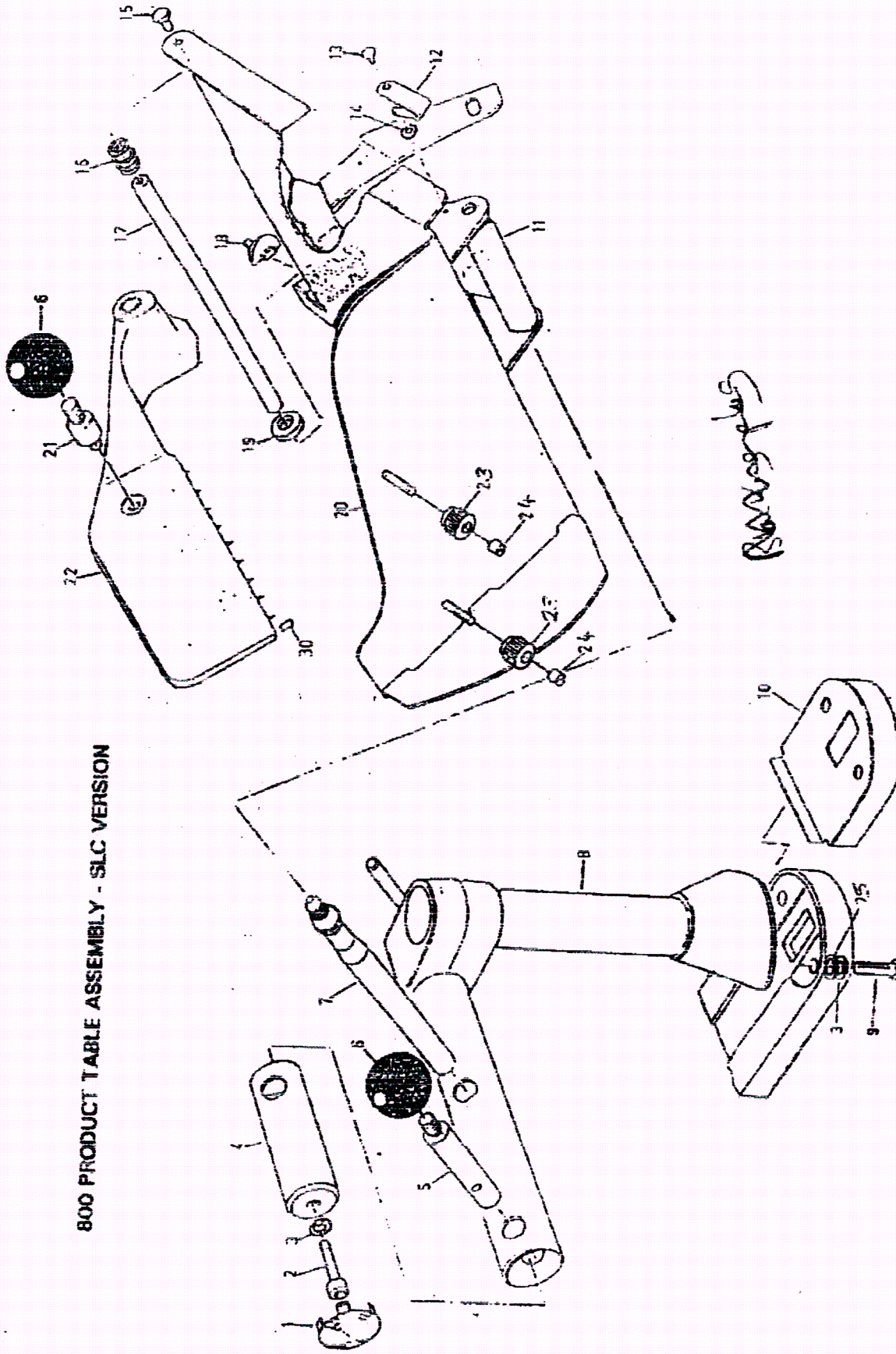
800 SHARPENER ASSEMBLY



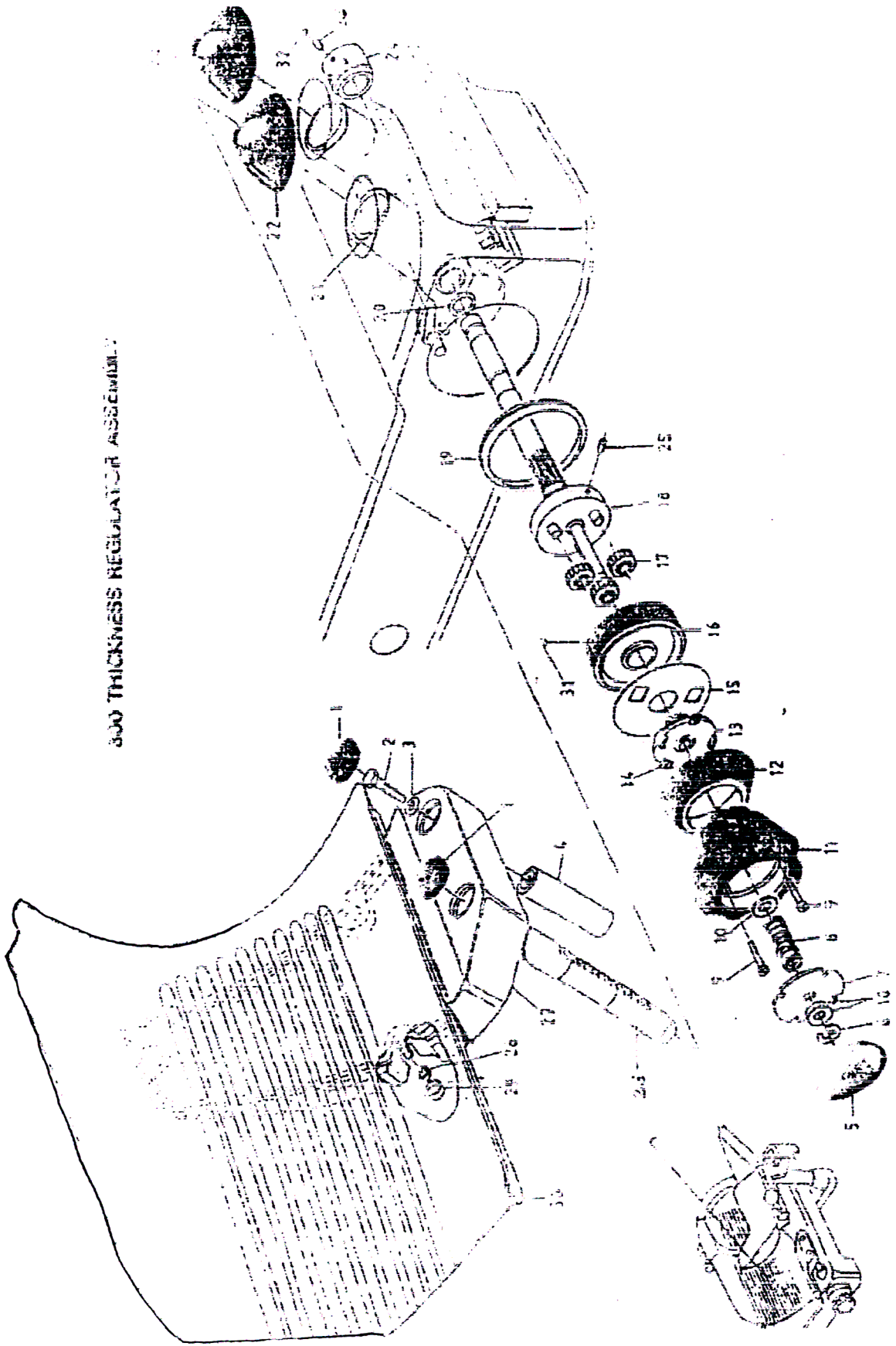
*
800 PRODUCT TABLE ASSEMBLY - UK VERSION



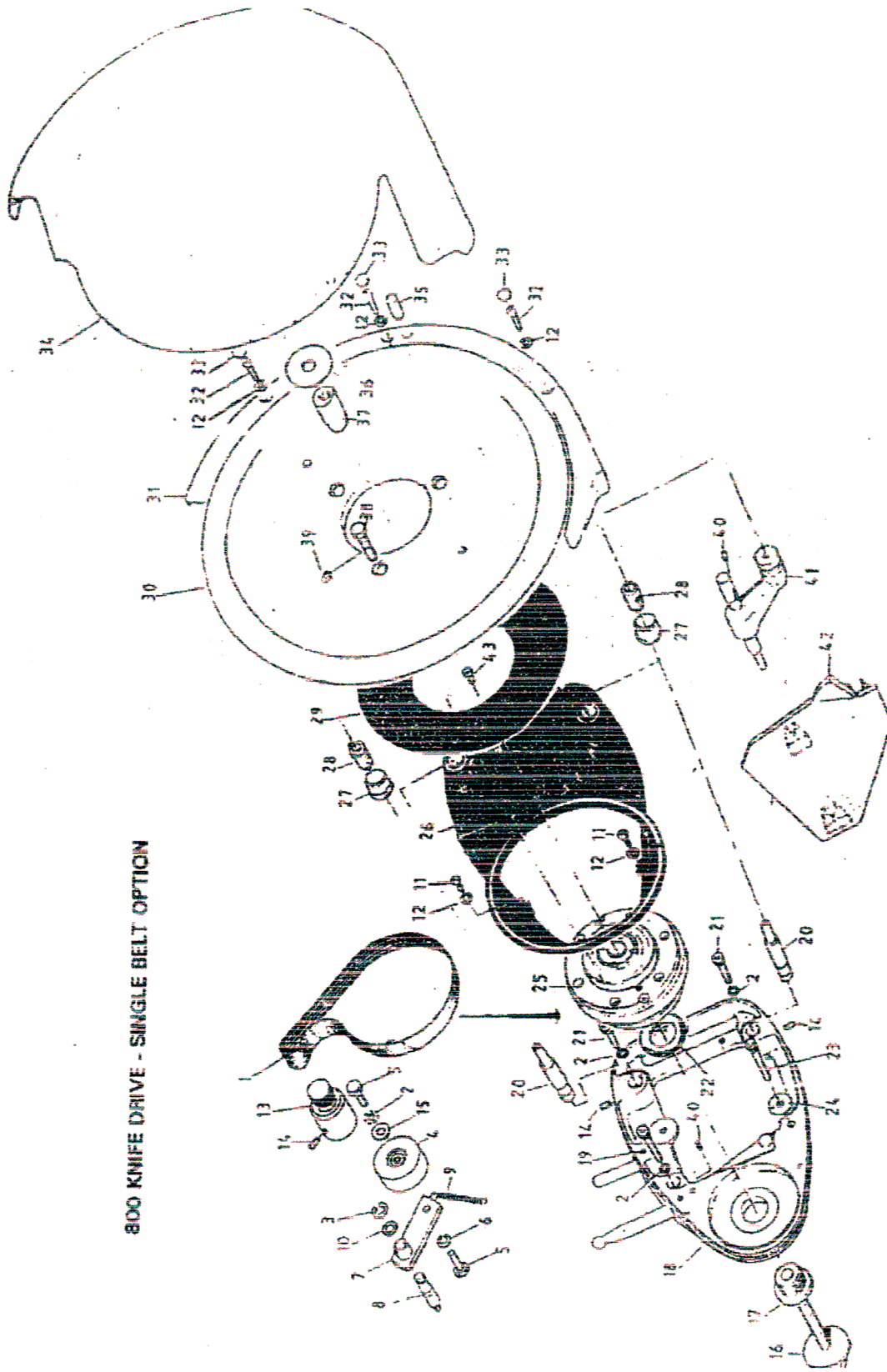
800 PRODUCT TABLE ASSEMBLY - SLC VERSION



500 THICKNESS REGULATOR ASSEMBLY



800 KNIFE DRIVE - SINGLE BELT OPTION



800 KNIFE DRIVE - DOUBLE VEE BELT OPTION

