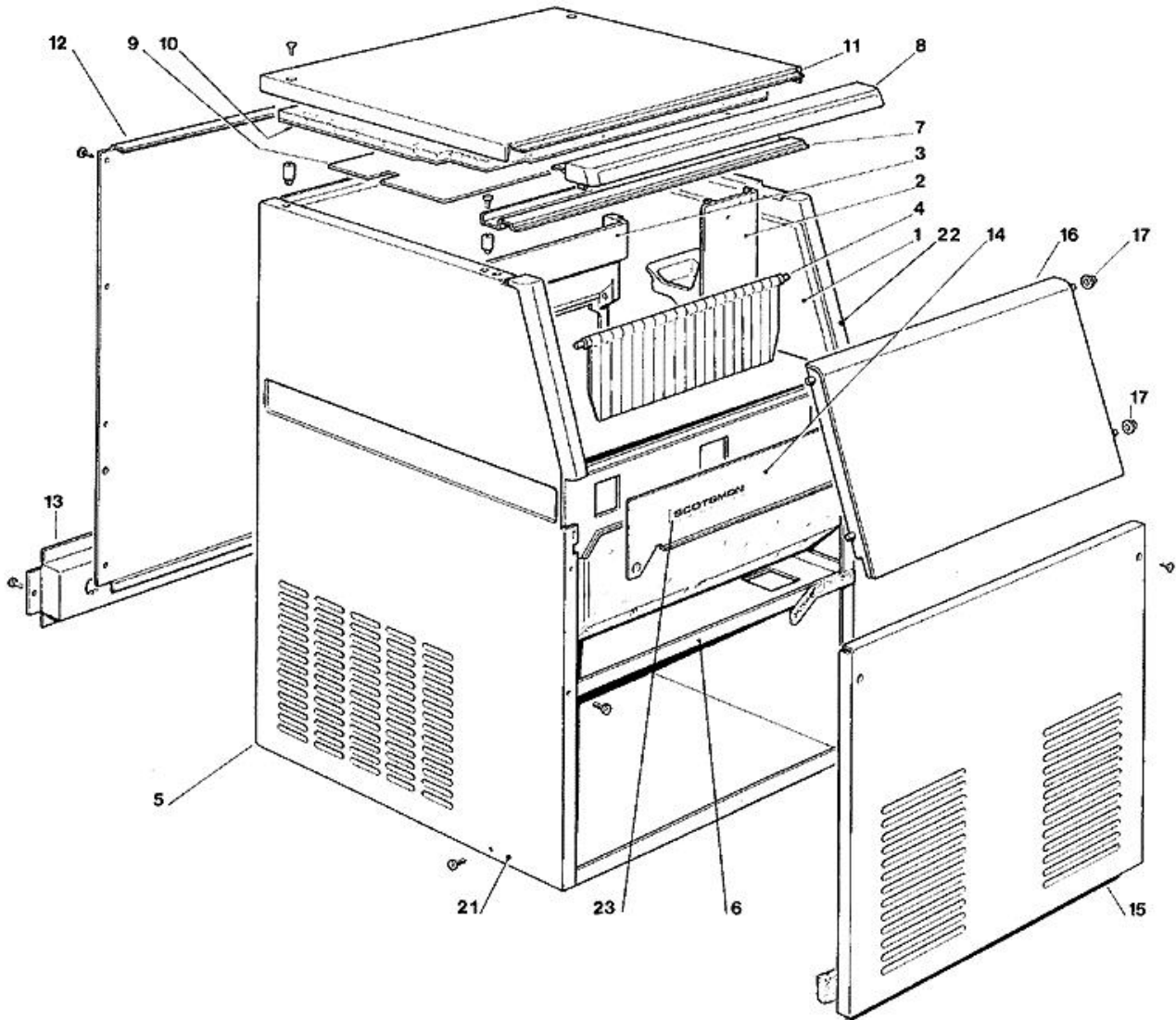
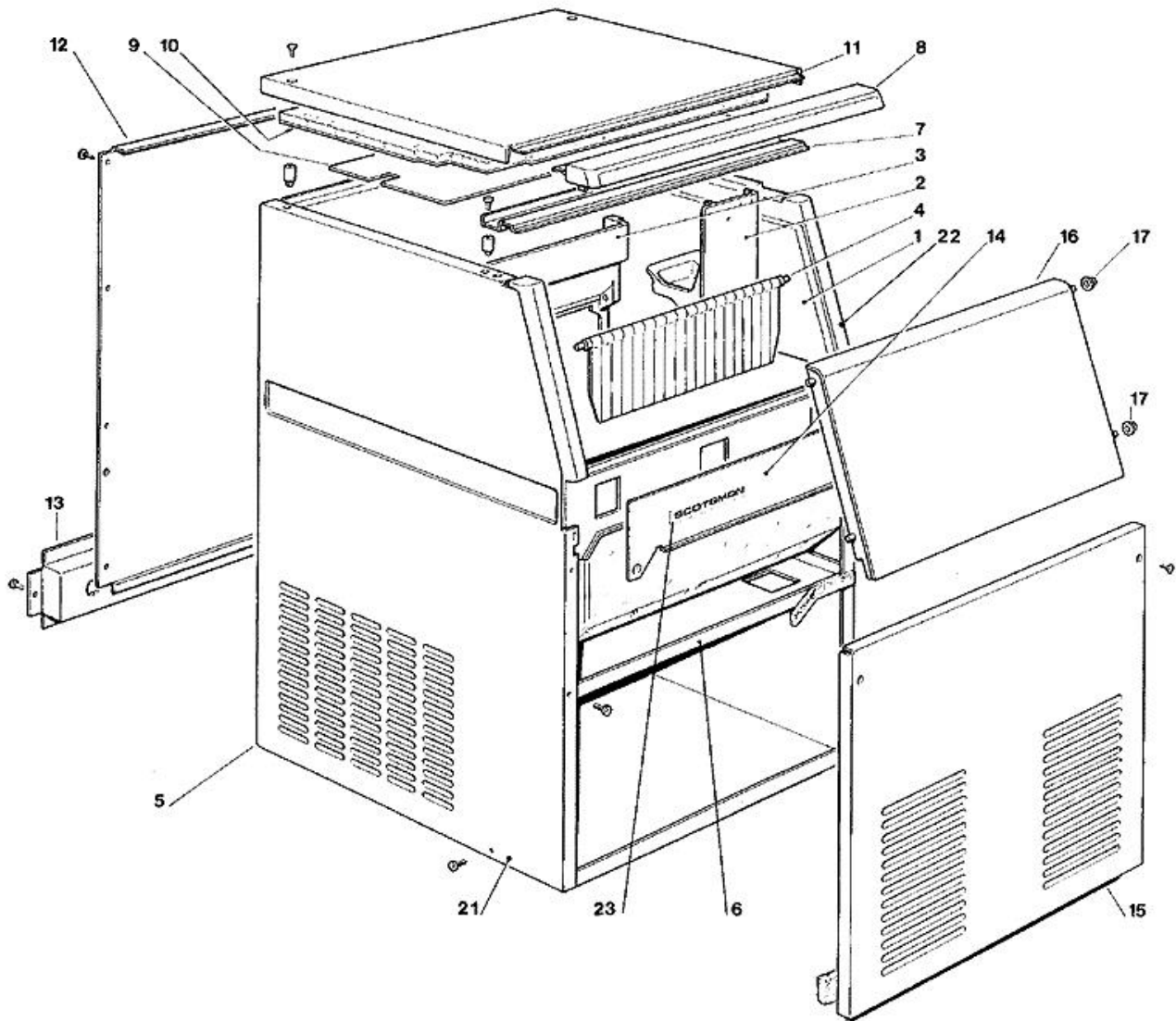


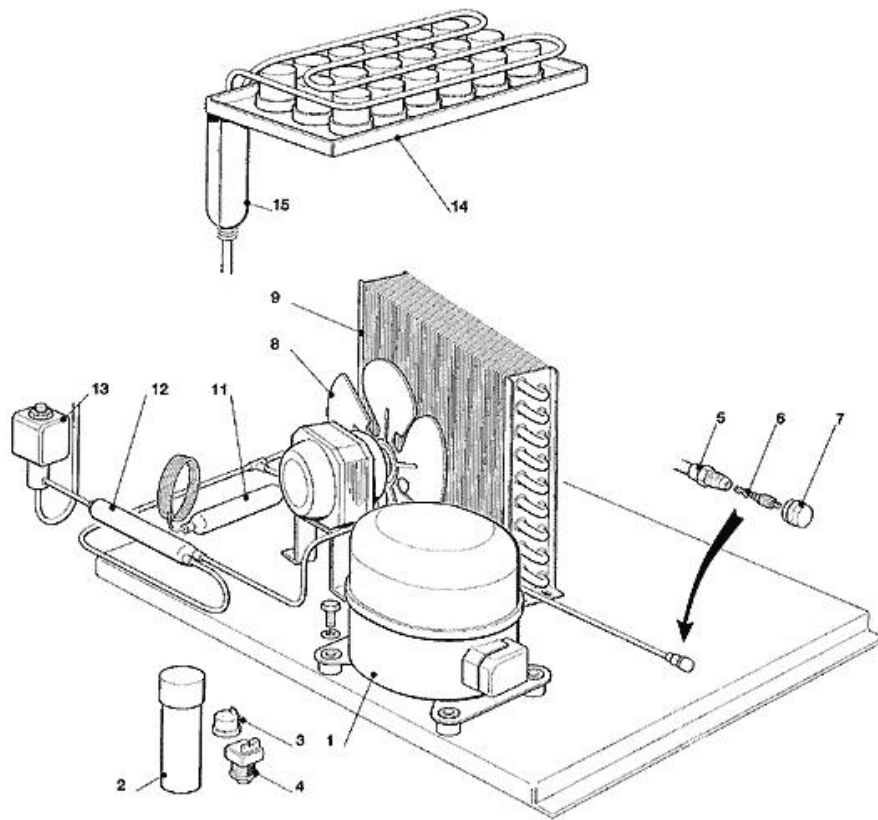
-
- 1 UNIT PANELS (up to S.N. 16393)
 - 2 UNIT PANELS - from S.N. 16394
 - 3 REFRIGERANT SYSTEM AIR COOLED
 - 4 REFRIGERANT SYSTEM WATER COOLED
 - 5 WATER SYSTEM
 - 6 P.C. BOARD AND SENSOR ASSY (up to S.N. 16394)
 - 7 P.C. BOARD AND SENSOR ASSY (from S.N. 16395)



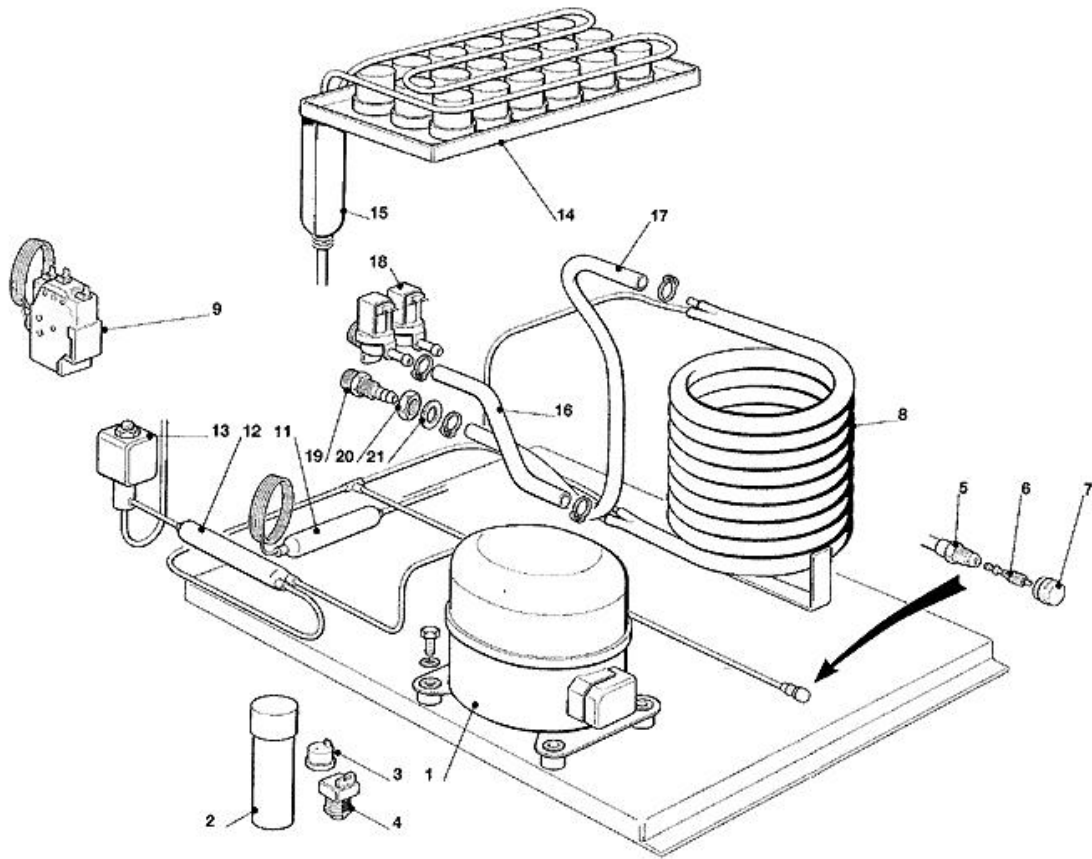
Code	Description
SC782070 14R	INSULATED STORAGE BIN
SC660470 02	PUMP BRACKET
SC660469 02	CURTAIN BRACKET
SC784169 09R	CURTAIN ASSY
SC704297 01	BASE ASSY
SC701940 02	METAL DIVIDER
SC721455 00	FRONT LINEAR METAL BRKT
SC660468 02	FRONT LINER
SC742033 03	EVAPORATOR COVER
SC784378 11R	TOP INSULATION
SC721593 01	TOP PANEL
SC702295 00	REAR PANEL
SC721592 00	BRACKET
SC721668 00	FRONT PLATE
SC721695 01	PANEL, FRONT S.S.
SCSC 660572 01	BIN DOOR
SC660286 00	BUSHING
SC721696 01	LEFT SIDE PANEL
SC721697 01	RIGHT SIDE PANEL
SC650850 00	SCOTSMAN LOGO



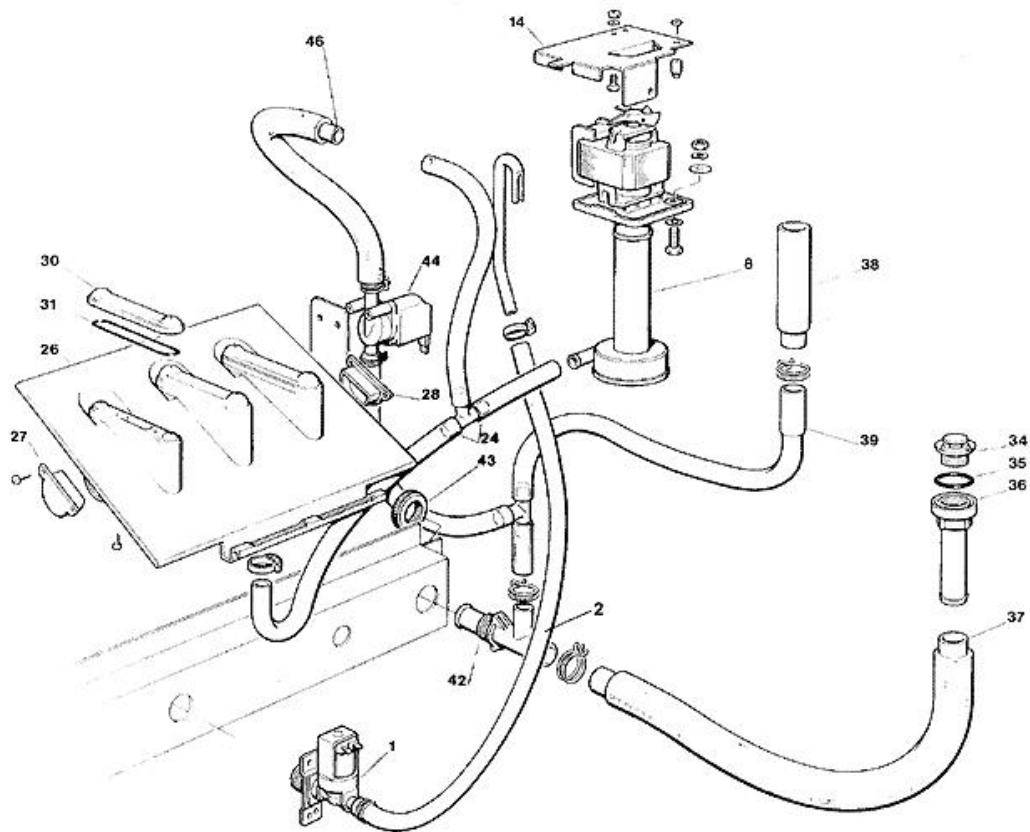
Code	Description
SC782070 21R	INSULATED STORAGE BIN
SC660470 02	PUMP BRACKET
SC660469 02	CURTAIN BRACKET
SC784169 09R	CURTAIN ASSY
SC704297 01	BASE ASSY
SC701940 02	METAL DIVIDER
SC721455 00	FRONT LINEAR METAL BRKT
SC660468 02	FRONT LINER
SC742033 03	EVAPORATOR COVER
SC784378 11R	TOP INSULATION
SC721593 01	TOP PANEL
SC702295 00	REAR PANEL
SC721592 00	BRACKET
SC721668 00	FRONT PLATE
SC721695 02	PANEL, FRONT S.S.
SCSC 660572 01	BIN DOOR
SC660286 00	BUSHING
SC721696 01	LEFT SIDE PANEL
SC721697 01	RIGHT SIDE PANEL
SC650850 00	SCOTSMAN LOGO



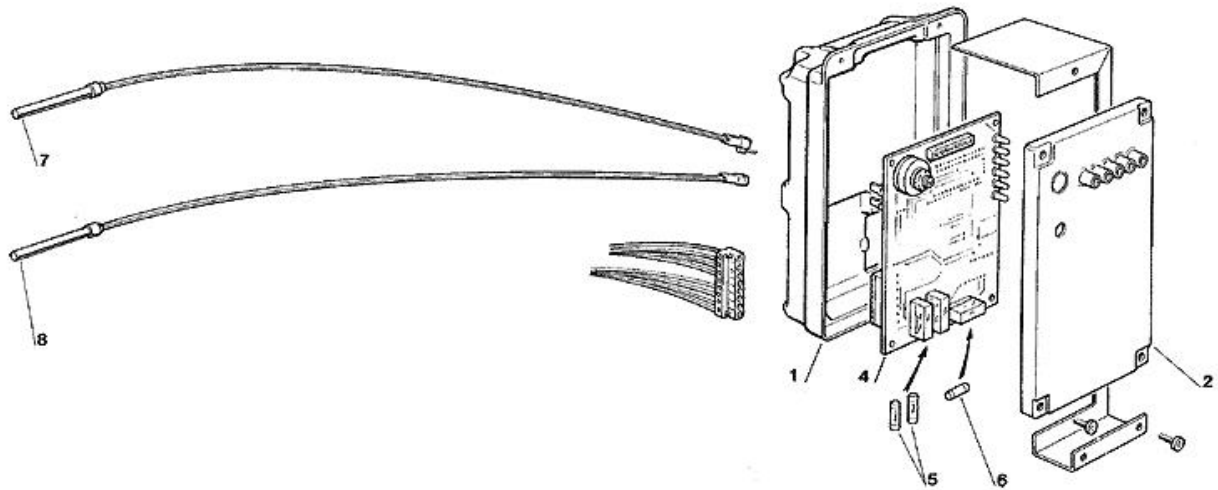
Code	Description
SC670100 00	COMPRESSOR - 230/50/1
SC670101 01	COMPRESSOR - 230/60/1
SCCUB 102661	START CAPACITOR - 230/50
SC620058 77	PROTECTOR - 230/60/1
SCCUB 102314	PROTECTOR - 230/50/1
SC620057 03	RELAY - 230/60
SCCUB 405175	RELAY - 230/50/1
SC650109 00	VALVE BODY
SC670012 00	VALVE CORE
SC650106 00	CAP
SC620419 02	FAN MOTOR - 230/50-60
SC620419 03	FAN MOTOR - 115/60
SC620419 32	FAN BLADE
SC620419 62	FAN MOTOR BRACKET
SC620276 02	AIR COOLED CONDENSER
SC630003 05	DRIER
SC630137 01	MECHANICAL FILTER
SC620306 22	HOT GAS VALVE BODY
SC620306 48	COIL - 230/50-60
SC784297 08	EVAPORATOR ASSY
SC784444 02	SUCTION LINE ASSY



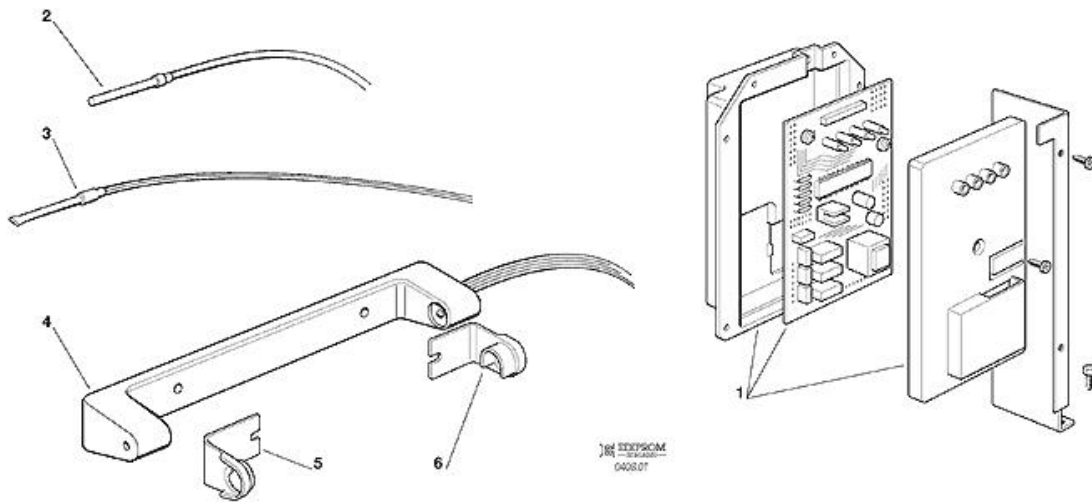
Code	Description
SC670100 00	COMPRESSOR - 230/50/1
SC670101 01	COMPRESSOR - 230/60/1
SCCUB 102661	START CAPACITOR - 230/50
SC620058 77	PROTECTOR - 230/60/1
SCCUB 102314	PROTECTOR - 230/50/1
SC620057 03	RELAY - 230/60
SCCUB 405175	RELAY - 230/50/1
SC650109 00	VALVE BODY
SC670012 00	VALVE CORE
SC650106 00	CAP
SC620389 00	WATER COOLED CONDENSER
SC620075 00	PRESSOSTAT
SC630003 05	DRIER
SC630137 01	MECHANICAL FILTER
SC620306 22	HOT GAS VALVE BODY
SC620306 48	COIL - 230/50-60
SC784297 08	EVAPORATOR ASSY
SC784444 02	SUCTION LINE ASSY
SC281900 01	TUBE 16X10
SC281900 01	TUBE 16X10
SC650105 70	WATER INLET VALVE ASSY - 230V - WATER
SC660291 00	TEE TUBE (D13)
SC400030 01	NUT
SC400031 00	WASHER



Code	Description
SC650105 66	WATER INLET VALVE ASSY - 230V - AIR
SC650105 70	WATER INLET VALVE ASSY - 230V - WATER
SC281900 01	TUBE 16X10
SC620433 00	WATER PUMP 230/50
SC620433 01	WATER PUMP 230/60
SC723154 00	PUMP BRACKET
SC610185 00	PLASTC HOSE
SC793129 05	SPRAY SYSTEM
SC660520 07	PLASTIC PLUG
SC660520 06	PLATIC PLUG
SC060529 01	SPRAY COVER KIT
SC640041 20	O RING
SC660211 01	DRAIN FILTER
SC640134 00	O RING
SC660219 01	BIN DRAIN
SC610148 10	TUBE
SC660387 07	OVERFLOW STAND PIPE
SC610180 05	OVERFLOW TUBE
SC660224 00	TEE TUBE
SC660535 00	PLASTIC NUT
SC620460 00	WATER DRAIN VALVE
SC281830 06	WATER DRAIN TUBE - PER METER



Code	Description
SCCM 29070021	CONTROL BOX
SCCM 29015057	CONTROL BOX COVER
SC620403 16	P.C. BOARD
SC630015 10	FUSE 16A 250V
SC630015 11	FUSE 50MA 250V
SC620404 10	EVAPORATOR SENSOR
SC620404 06	BIN SENSOR



Code	Description
SC060711 00	PC BOARD KIT - 230V
SC060711 01	PC BOARD KIT - 115V
SC620404 10	EVAPORATOR SENSOR
SC620404 11	CONDENSER SENSOR
SC650674 07	ICE LEVEL SENSOR
SC660720 00	PLASTIC COVER
SC660720 01	PLASTIC COVER