



**IMPORTANT FOR FUTURE REFERENCE**  
Please complete this information and retain this manual for the life of the equipment:

Model #: \_\_\_\_\_  
Serial #: \_\_\_\_\_  
Date Purchased: \_\_\_\_\_

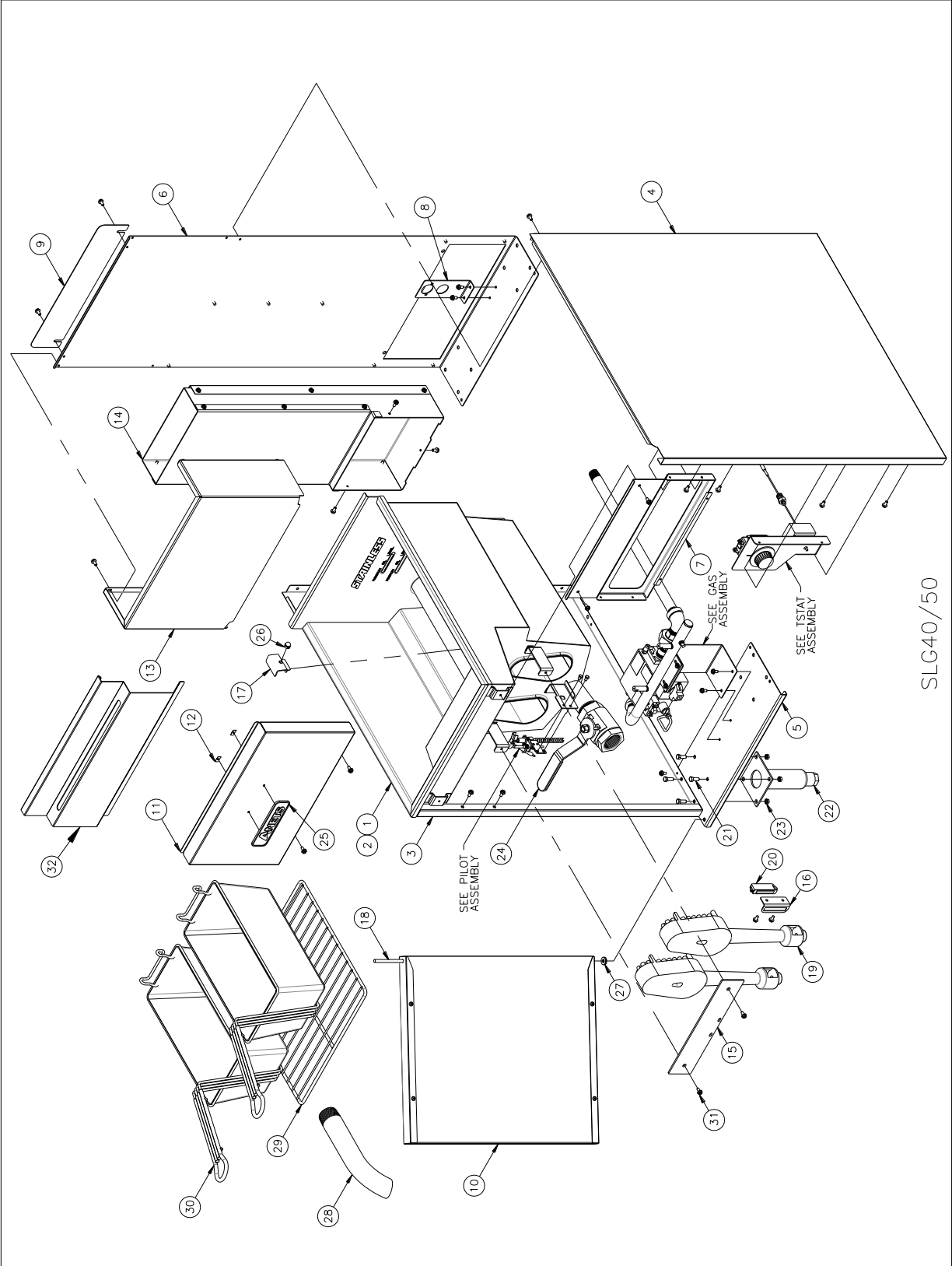
**UK, MT**

**AUSTRALIA**

Parts Manual Covering  
**SLG Series**



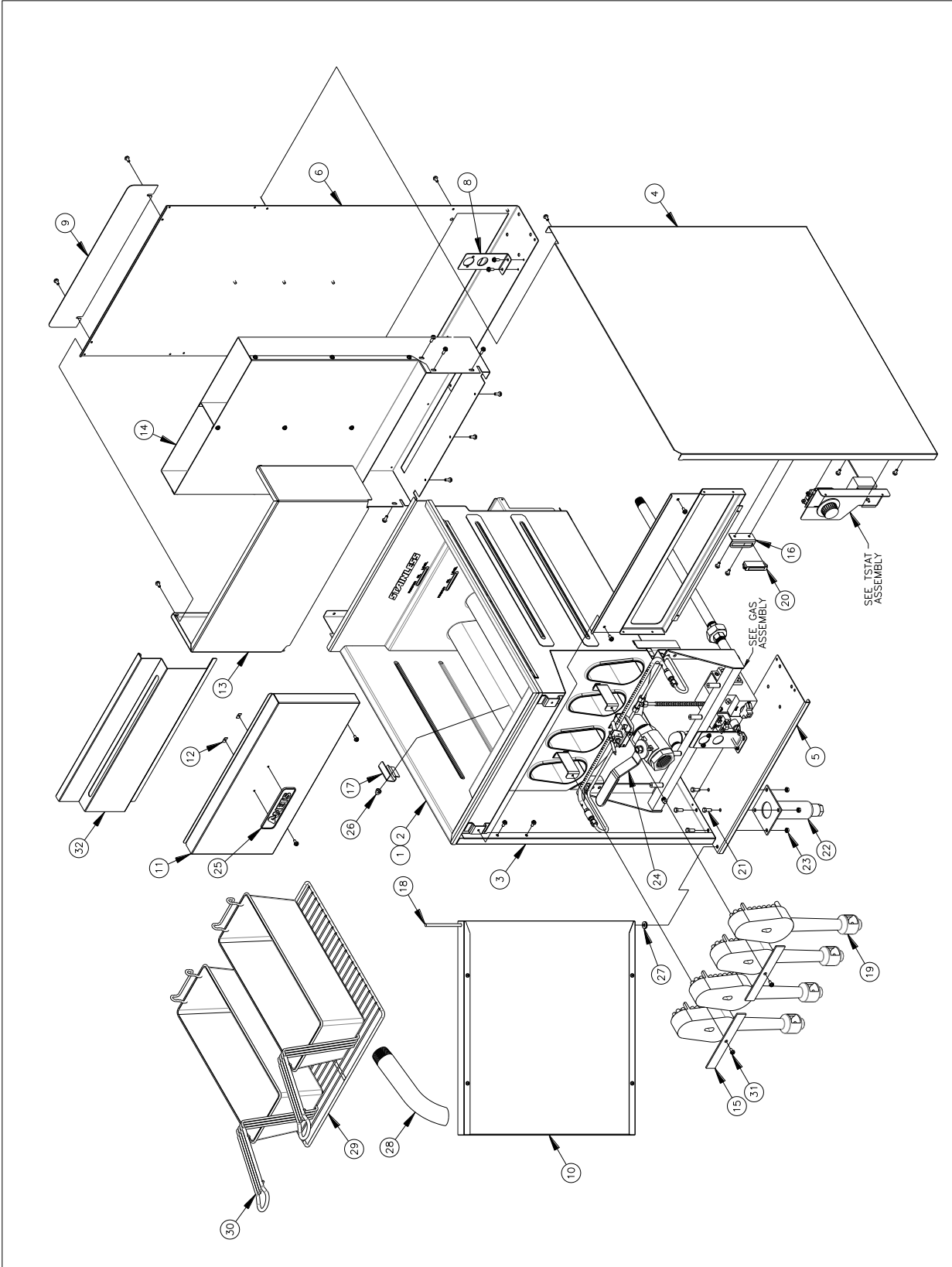
# 5 SLG40 Exploded Parts Diagram



## 5.1 SLG40 Exploded Parts List

ITEM#	PART#	PART DESCRIPTION
1	B3332601	TANK, WELDMENT SLG40 (BAFFLES WELDED TO TANK)
2	B1004001	BAFFLE, WELDMENT SLG40 (SERVICE)
3	A1540001	CABINET SIDE, LEFT HAND SLG40 BEFORE JULY 2013
	A1541101	CABINET SIDE, LEFT HAND SLG40 POST JULY 2013
4	A1540005	CABINET SIDE, LEFT HAND SLG40 BEFORE JULY 2013
	A1541103	CABINET SIDE, LEFT HAND SLG40 POST JULY 2013
5	A1237801	CABINET, FRONT BOTTOM BRACE SLG40 BEFORE JULY 2013
	A1861001	CABINET, FRONT BOTTOM BRACE SLG40 POST JULY 2013
6	A1640301	CABINET BACK, BOTTOM BRACE SLG40 BEFORE JULY 2013
	A1641401	CABINET BACK, BOTTOM BRACE SLG40 POST JULY 2013
7	A1856901	CABINET, SPACER SLG40 BEFORE JULY 2013
	A1861201	CABINET, SPACER SLG40 POST JULY 2013
8	A8048001	PIPING, BRACKET MANIFOLD REAR
9	B13811-00	FLUE, DEFLECTOR SLG40
10	B2306101	DOOR, ASSEMBLY SLG40 BEFORE JULY 2013
	B2306301	DOOR, ASSEMBLY SLG40 POST JULY 2013
	A2336502	DOOR, OUTER SLG40 BEFORE JULY 2013
	A2337302	DOOR, OUTER SLG40 POST JULY 2013
	A2336601	DOOR, INNER SLG40 BEFORE JULY 2013
	A2337401	DOOR, INNER SLG40 POST JULY 2013
	PP10752	SCREW, 10-31 X 1/2 PNH ZN
11	D6176-00	FRONT PANEL, SLG40 BEFORE JULY 2013
	A3684902	FRONT PANEL, SLG40 POST JULY 2013
12	P0091500	TINNERMAN C-12003-017 #6
13	D6180-00	SPLASH BACK, SLG40
14	C11020-00	FLUE, ASSEMBLY SLG40
	B3506401	FLUE, ASSEMBLY SLG50
15	B13790-00	BURNER HOLD DOWN SLG40
	A8048802	BURNER HOLD DOWN SLG50
16	A1847002	CLIP, BRACKET MAGNET CATCH
18	A1408002	BULB COVER STEPPED SLG
18	A3800603	DOOR HINGE PIN
19	E4556-04	BURNER
20	P6071300	DOOR MAGNET
21	P0020600	SCREW, 1/4-20 X 5/8 HEX HEAD ZINC PLATED
22	B3900701	LEG, SET 6" WITH HARDWARE (SET OF 4)
23	P0093300	NUT, HEX (KEP) 1/4-20 ZINC PLATED
24	60084501	DRAIN VALVE, 1 1/4 NON-LOCKING
25	P9204-75	ANETS NAME PLATE BLACK/YELLOW
26	PP10668	NUT, 1/4-20 ACORN WITH CENTERLOCK STAINLESS
27	P0080650	WASHER, FLAT 1/4 ZINC
28	A2510101	TANK, NIPPLE DRAIN OUT 1 1/4 NPT
29	A4500601	WIRING RACK, TUBE 13.50 X 13.50
30	P9800-08	BASKETS, DOUBLE 2 PER SLG40
31	PP10023	SCREW, 10-24 X 3/8 SELF TAPPER
32	C9054-01	BASKET HANGER SLG40/50

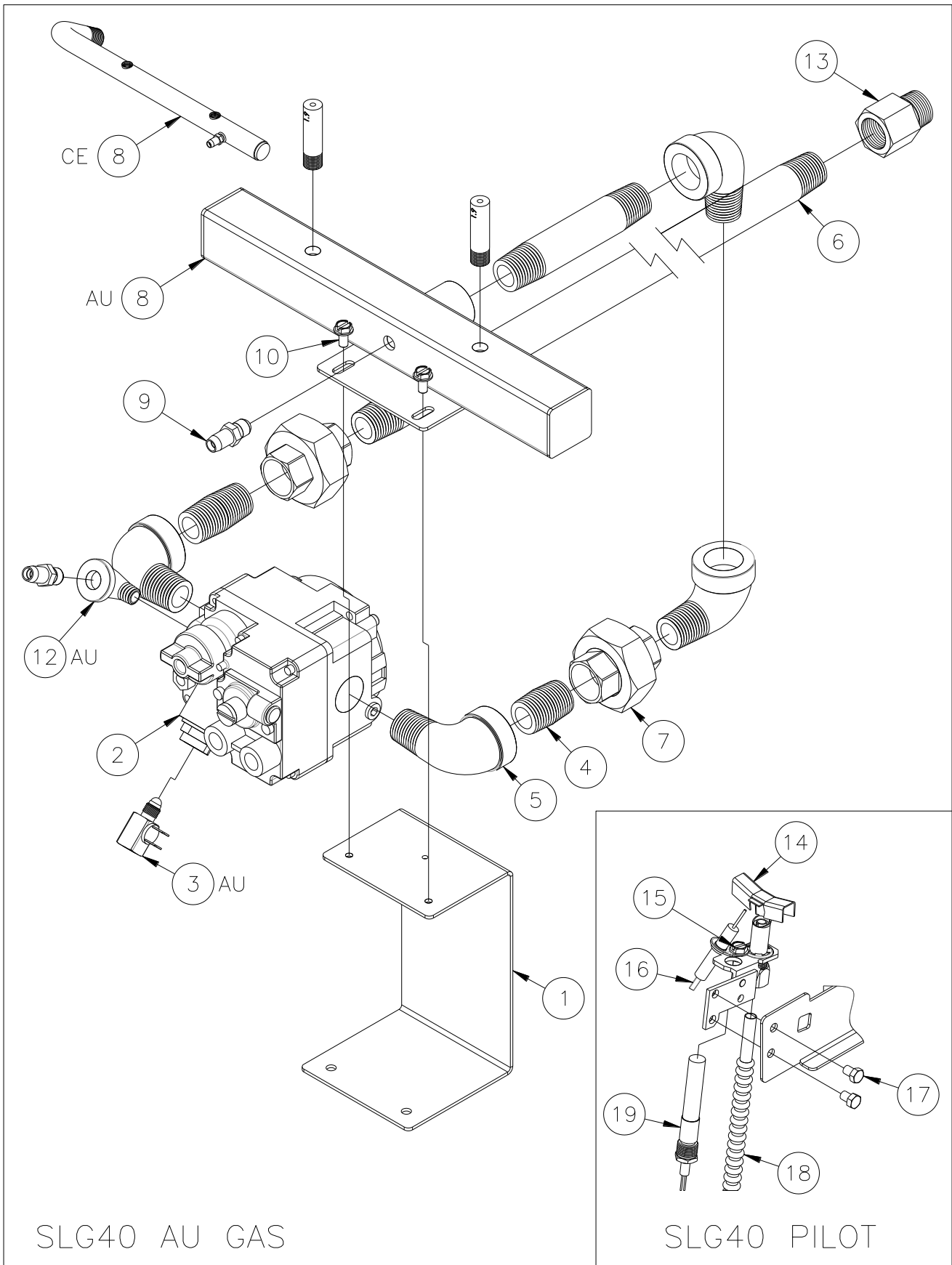
# 6 SLG100 Exploded Parts Diagram



## 6.1 SLG100 Exploded Parts List

ITEM#	PART#	PART DESCRIPTION
1	B3336301	TANK,WELDMENT SLG100 (BAFFLES WELDED TO TANK)
2	B1004002	BAFFLE, WELDMENT SLG100 (SERVICE)
3	A1540003	CABINET SIDE, RIGHT SIDE SLG100 BEFORE JULY 2013
	A1541105	CABINET SIDE, RIGHT SIDE SLG100 POST JULY 2013
4	A1540007	CABINET SIDE, RIGHT SIDE SLG100 BEFORE JULY 2013
	A1541107	CABINET SIDE, RIGHT SIDE SLG100 POST JULY 2013
5	A1237803	CABINET, FRONT BOTTOM BRACE SLG100 BEFORE JULY 2013
	A1861003	CABINET, FRONT BOTTOM BRACE SLG100 POST JULY 2013
6	A1640303	CABINET BACK, BOTTOM BRACE SLG100 BEFORE JULY 2013
	A1641403	CABINET BACK, BOTTOM BRACE SLG100 POST JULY 2013
	A1857001	CABINET, SPACER SLG100 BEFORE JULY 2013
	A1861203	CABINET, SPACER SLG100 POST JULY 2013
8	A8048001	PIPING, BRACKET MANIFOLD REAR
9	B14090-00	FLUE, DEFLECTOR SLG100
10	B2306102	DOOR, ASSEMBLY SLG100 BEFORE JULY 2013
	B2306302	DOOR, ASSEMBLY SLG100 POST JULY 2013
	A3636504	DOOR, OUTER SLG100 BEFORE JULY 2013
	A2337304	DOOR, OUTER SLG100 POST JULY 2013
	A2336603	DOOR, INNER SLG100 BEFORE JULY 2013
	A2337403	DOOR, INNER SLG100 POST JULY 2013
	PP10752	SCREW, 10-31 X 1/2 PNH ZN
11	PP11006	HANDLE, DOOR RECESSED PLASTIC
	A3681802	FRONT PANEL, SLG100 BEFORE JULY 2013
	A3684904	FRONT PANEL, SLG100 POST JULY 2013
12	P0091500	TINNERMAN C-12003-017 #6
13	E5192-00	SPLASH BACK, SLG100
14	C10880-00	FLUE, ASSEMBLY SLG100
	E5190-00	FLUE BACK
	D6265-00	FLUE FRONT
	C10860-00	FLUE SUPPORT
15	B14052-00	BURNER HOLD DOWN SLG100
16	A1847002	CLIP, BRACKET MAGNET CATCH
18	A1408002	BULB COVER STEPPED SLG
18	A3800603	DOOR HINGE PIN
19	E4556-04	BURNER
20	P6071300	DOOR MAGNET
21	P0020600	SCREW, 1/4-20 X 5/8 HEAX HEAD ZINC PLATED
22	B3900701	LEG, SET 6" WITH HARDWARE (SET OF 4)
23	P0093300	NUT, HEX (KEP) 1/4-20 ZINC PLATED
24	60084501	DRAIN VALVE, 1 1/4 NON-LOCKING
25	P9204-75	ANETS NAME PLATE BLACK/YELLOW
26	PP10668	NUT, 1/4-20 ACORN WITH CENTERLOCK STAINLESS
27	P0080650	WASHER, FLAT 1/4 ZINC
28	A2510101	TANK, NIPPLE DRAIN OUT 1 1/4 NPT
29	P6073186	TUBE RACK
30	P9800-48	BASKET
	P9800-56	TRIPLE BASKET
31	PP10023	SCREW, 10-24 X 3/8 SELF TAPPER
32	C9183-00	BASKET HANGER SLG100

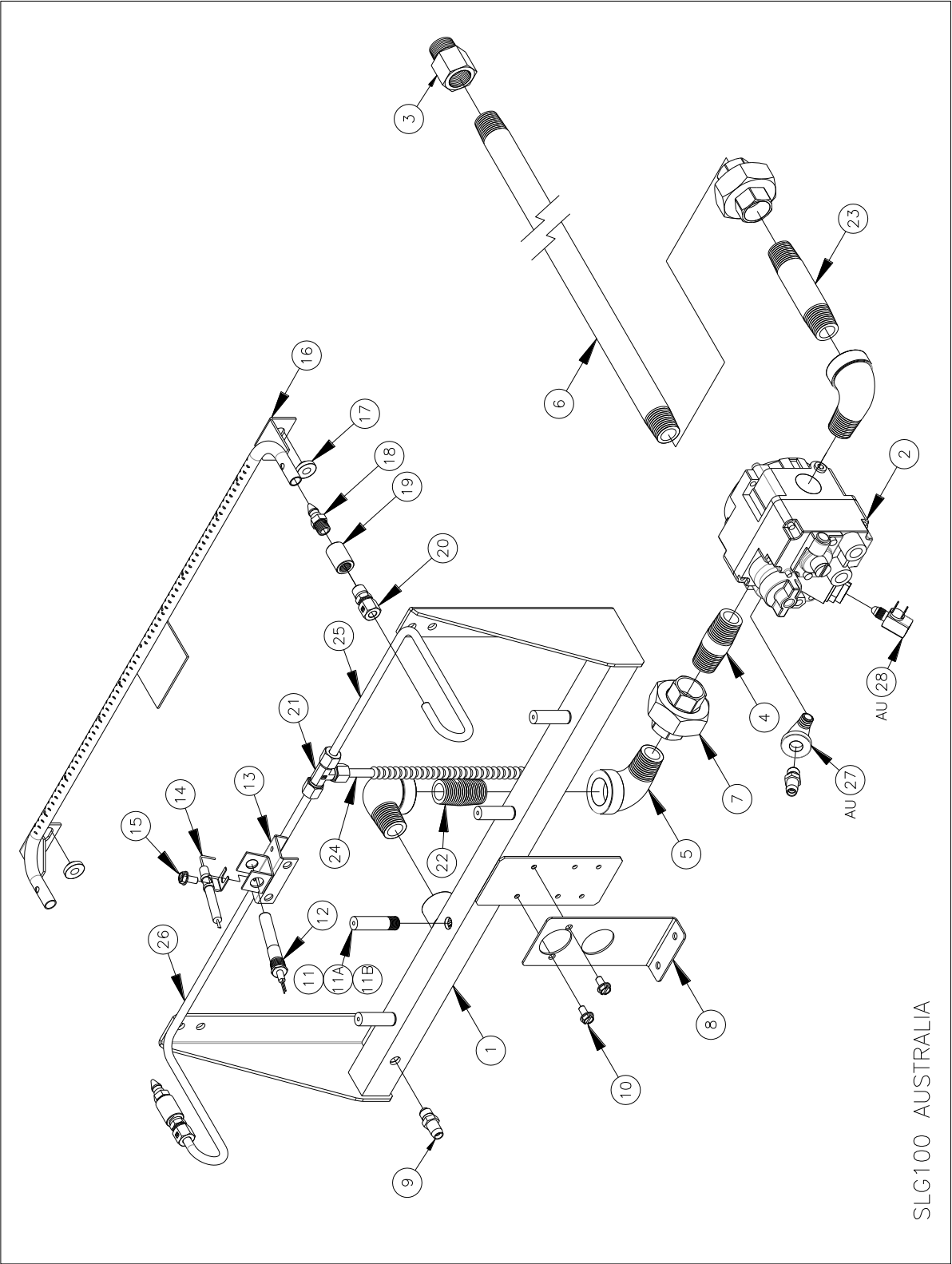
# 7 SLG40 Gas Assembly Exploded AU & CE Diagram



## 7.1 SLG40 Gas Assembly Exploded AU & CE Parts

ITEM#	PART#	PART DESCRIPTION
1	A8049901	PIPING, MANIFOLD BRACKET FRONT SLG40
2	PP11001	GAS VALVE G20 U7000 SLG40
	PP11002	GAS VALVE G31 U7000 SLG40
	PP11110	GAS VALVE G20 BGOL/S UNREGULATED
3	60179801	INTERRUPTOR,MV 11/32 THREAD
4	P7037090	NIPPLE, BLACK 1/2 NPT X CLOSE
5	P7037750	ELBOW, STREET 1/2 NPT 90 DEGREE
6	P8820-91	NIPPLE, BLACK 1/2 NPT X 17"
7	P7036902	UNION BLACK 1/2 NPT
8	B8058801	PIPING, WELDMENT GAS MANIFOLD AU
	P8841-38	PIPING, WELDMENT GAS MANIFOLD CE
9	60132801	PRESSURE TEST FITTING 1/8 NPT
10	PP10023	SCREW, 10-24 X 3/8 SELF TAPPER
11A	P8905-04	ORIFICE, BURNER #31 NAT/G20 SLG40
	A8047103	ORIFICE, BURNER 1.9mm PROPANE SLG40
	P8905-16	ORIFICE, BLANK
		ELEVATION CHANGE
11B	P8905-83	ORIFICE, BURNER #34 NATURAL
	A8047101	ORIFICE, BURNER 3.4mm NATURAL G25
	A8047104	ORIFICE, BURNER #35 NATURAL
	A8047105	ORIFICE, BURNER #36 NATURAL
	A8047106	ORIFICE, BURNER #37 NATURAL
	A8047107	ORIFICE, BURNER #38 NATURAL
	A8047108	ORIFICE, BURNER #39 NATURAL
	A8047110	ORIFICE, BURNER #33 NATURAL
	P8905-84	ORIFICE, BURNER #50 PROPANE
	A8047102	ORIFICE, BURNER #51 PROPANE
	A8047103	ORIFICE, BURNER 1.9mm PROPANE G31
A8047109	ORIFICE, BURNER #52 PROPANE	
12	60094101	BRASS STREET ELBOW 1/8 NPT
13	PP10067	METRIC GAS SUPPLY ADAPTER FITTING
14	60128801	PILOT REVERSE STANDING NAT
	60128802	PILOT REVERSE STANDING LP
15	P0075200	SELF DRILLING SCREW 8-18 X 1/2
16	P9131-55	GAS VALVE VENT TUBE (DOMESTIC ONLY)
17	60088014	NIPPLE, BLACK 1/2 NPT X 2"
18	60119001	ELBOW, STREET 1/2 NPT 90 DEGREE
19	60125501	NIPPLE, BLACK 1/2 NPT X 17"

# 8 SLG100 Gas Supply Exploded AU & CE Diagram

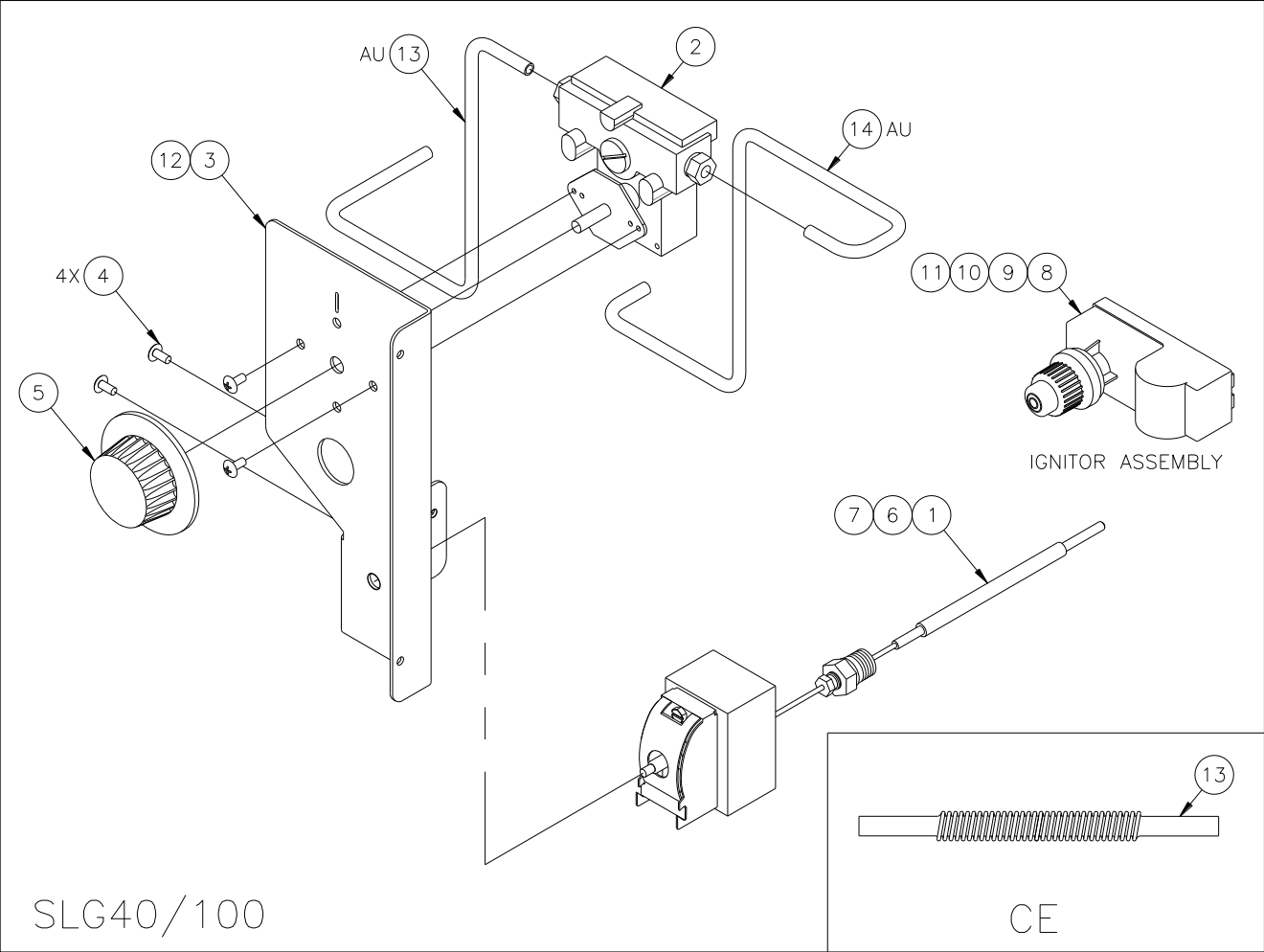




## 8.1 SLG100 Gas Supply Exploded AU & CE Parts

PLOT	PART#	PART DESCRIPTION
1	P9315-61	PIPING, WELDMENT GAS MANIFOLD SLG100
2	PP10955	GAS VALVE G20/G25 U7000
	PP10956	GAS VALVE G31 U7000
	PP11110	GAS VALVE G20 BGOL/S UNREGULATED
3	PP10067	GAS SUPPLY METRIC ADAPTER
4	P7037093	NIPPLE, BLACK 1/2 NPT X 2"
5	P7037750	ELBOW, STREET 1/2 NPT 90 DEGREE
6	P8820-91	NIPPLE, BLACK 1/2 NPT X 17"
7	P7036902	UNION BLACK 1/2 NPT
8	A8048001	GAS SUPPLY WELDMENT SUPPORT BRACKET SLG100
9	60132801	GAS MANIFOLD TEST FITTING 1/8 NPT
10	PP10023	SCREW, 10-24 X 3/8 SELF TAPPER
11	P8905-04	ORIFICE, BURNER #31 NATURAL SLG100
	P8905-05	ORIFICE, BURNER #49 PROPANE SLG100
11A	P8905-16	ORIFICE, BLANK
		ELEVATION CHANGE OR CE ORIFICE TIPS
11B	P8905-83	ORIFICE, BURNER #34 NATURAL
	A8047101	ORIFICE, BURNER 3.4mm NATURAL
	A8047104	ORIFICE, BURNER #35 NATURAL
	A8047105	ORIFICE, BURNER #36 NATURAL
	A8047106	ORIFICE, BURNER #37 NATURAL
	A8047107	ORIFICE, BURNER #38 NATURAL
	A8047108	ORIFICE, BURNER #39 NATURAL
	A8047110	ORIFICE, BURNER #33 NATURAL
	P8905-84	ORIFICE, BURNER #50 PROPANE
	A8047102	ORIFICE, BURNER #51 PROPANE
	A8047103	ORIFICE, BURNER 1.9mm PROPANE
	A8047109	ORIFICE, BURNER #52 PROPANE
12	60125501	THERMOPILE MILLIVOLT
13	B12326-00	THERMOPILE SUPPORT WELDMENT
14	P9131-62	SPARK IGNITOR
15	P0075300	SELF DRILLER 10/16 X 5/8
16	C9163-00	PILOT RUNNER TUBE WELDMENT NAT SLG100
	C9163-01	PILOT RUNNER TUBE WELDMENT LP SLG100
17	B12821-00	PILOT STANDOFF SPACER
18	P8904-98	RUNNER TUBE ORIFICE NAT #55 SLGOO
	P9804-99	RUNNER TUBE ORIFICE LP #72 SLGOO
19	P8805-11	COUPLING 1/8 NPT
20	P7037797	ELBOW 1/4 COMPRESSION X 1/8 NPT
21	P8840-92	COMPRESSION TEE 1/4 TUBE
22	P7037092	NIPPLE, BLACK 1/2 NPT X 1 1/2
23	P7037096	NIPPLE, BLACK 1/2 NPT X 3 1/2
24	PP11260	FLEXIBLE TUBE 1/4 X 10
25	P9315-61	FLEXIBLE TUBE 1/4 X 12
26	60119001	FLEXIBLE TUBE 1/4 X 18
27	60094101	BRASS STREET ELBOW 1/8 NPT
28	PP10067	METRIC GAS SUPPLY ADAPTER FITTING

# 9 TSTAT Assembly Exploded AU Diagram



## 9.1 TSTAT Assembly Exploded AU Parts

ITEM#	PART#	PART DESCRIPTION
1	PP10084	SWITCH, HI-LIMIT
2	P5047590	THERMOSTAT, GS 190C
3	B14503-00	PIPING, BRACKET THERMOSTAT WITH IGNITOR
4	PP10687	SCREW, 6-32 X 5/16 TH PHILLIPS
5	PP10539	KNOB, THERMOSTAT
6	P0007300	SCREW, 8-32 X 1/4 HEX HEAD ZINC
7	B6744402	WIRING, MILLIVOLT HI-LIMIT/THERMOSTAT
8	P9132-34	CONTROL, SPARK IGNITOR
9	60172101	BATTERY, TRIPLE A 1.5V
10	60167801	CONTROL, WIRE SPARK IGNITOR 24"
11	P9132-37	CONTROL, SPARK IGNITOR GROUND WIRE
12	P9204-18	LABEL, IGNITOR
13	60119001	FLEX TUBING 18" CE
	A8049701	PIPING, THERMOSTAT IN-GAS VALVE-OUT SLG40 AU
	A8049703	PIPING, THERMOSTAT IN-GAS VALVE-OUT SLG100 AU
14	A8049702	PIPING, THERMOSTAT OUT-GAS VALVE-IN SLG40 AU
	A8049704	PIPING, THERMOSTAT OUT-GAS VALVE-IN SLG100 AU