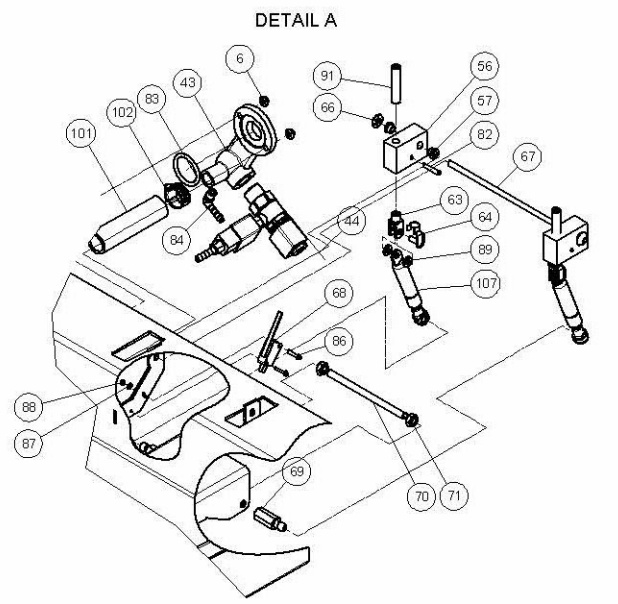
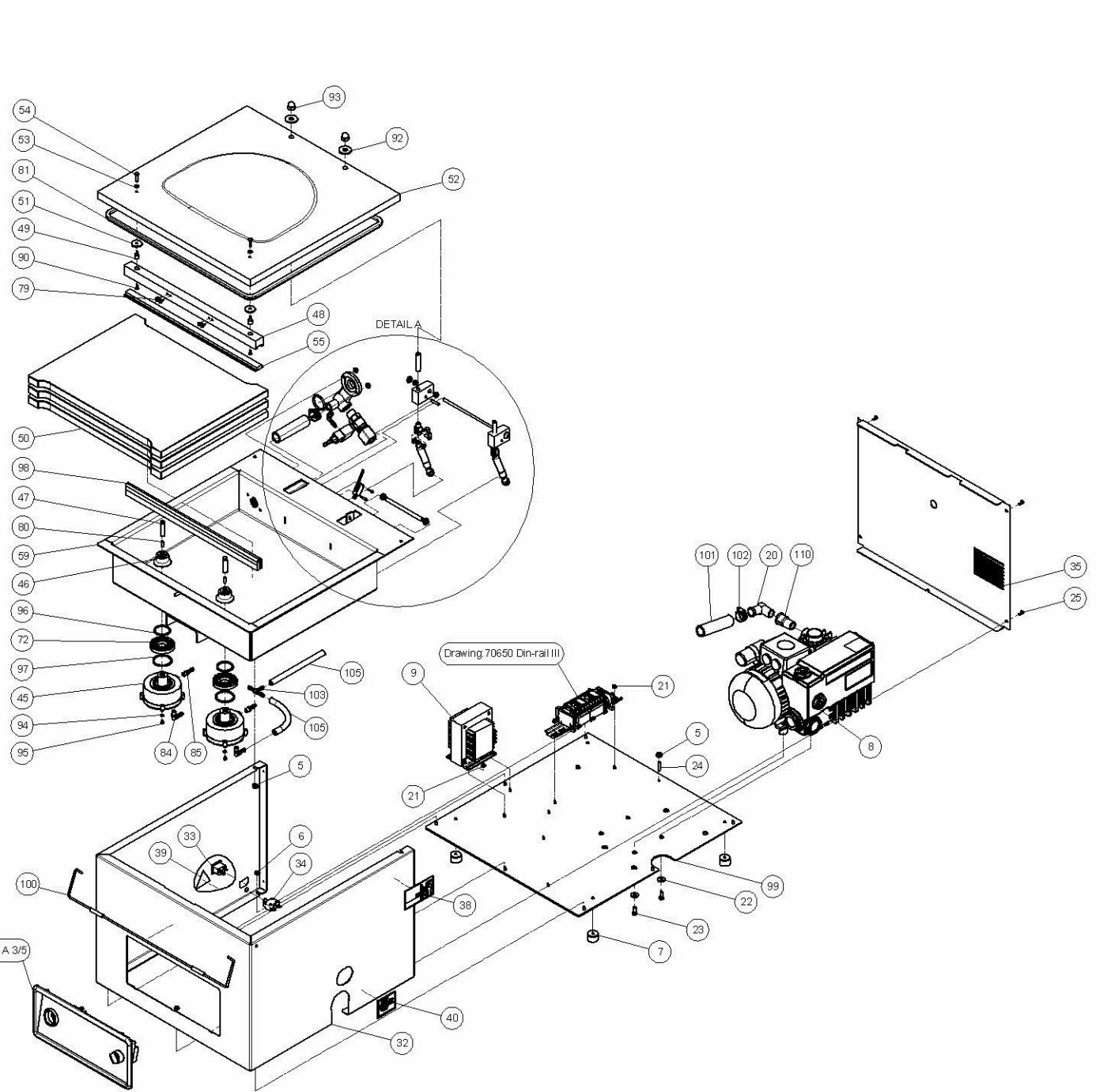


Ownership explicitly reserved to HFE vacuum systems b.v. Multiplication is only from its third parties is not permitted without written permission of the owner.

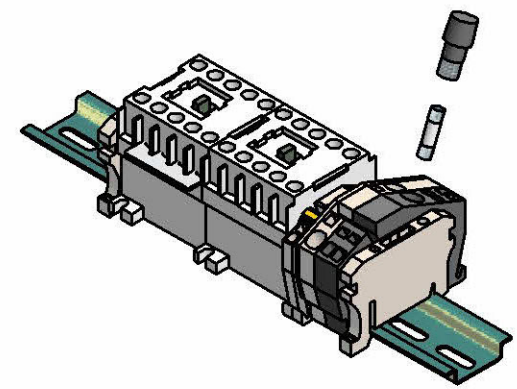
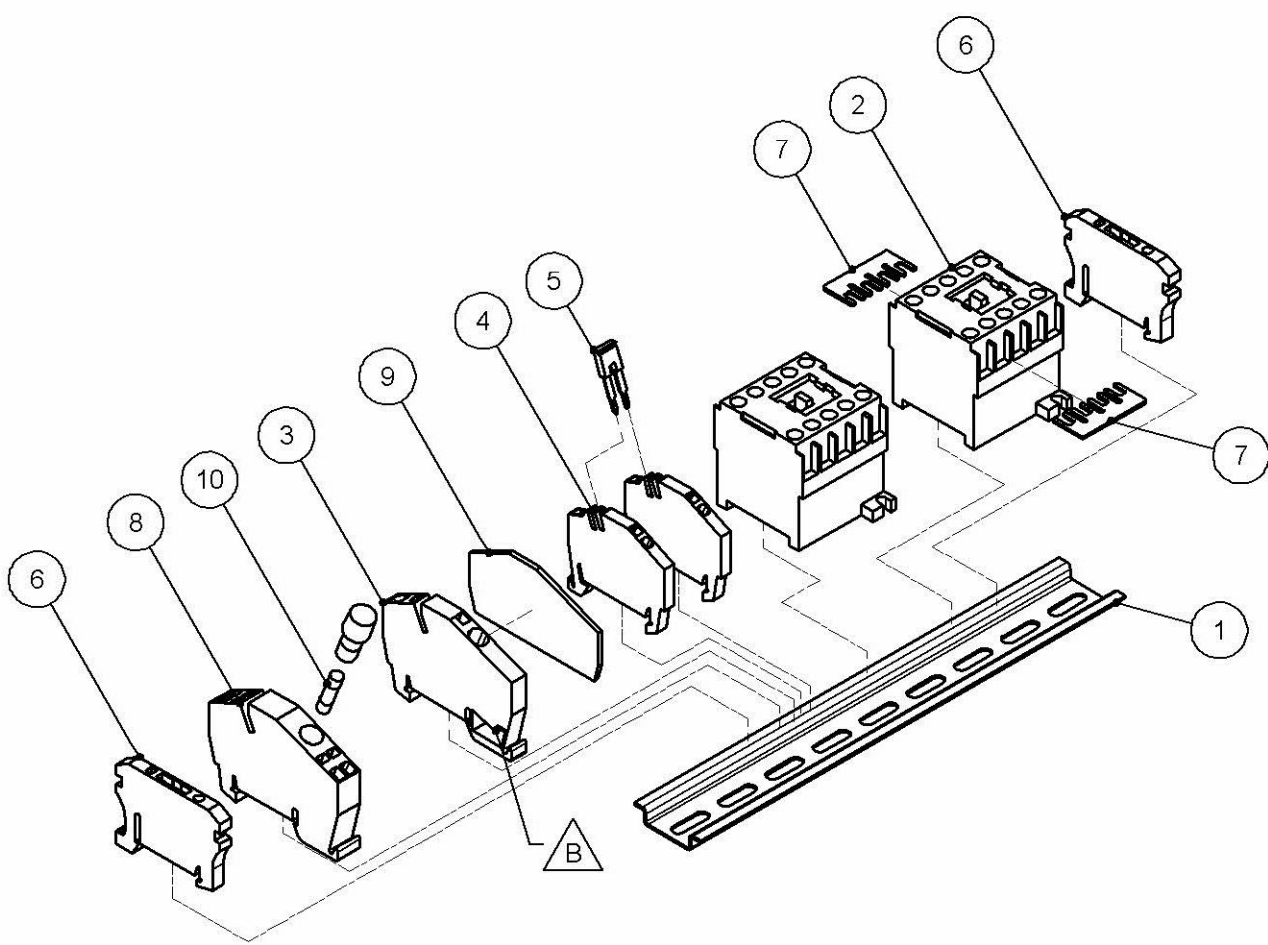


A	22-9-2008	Net-entree/sticker voorpaneel, spanning
B	30-1-2009	Assembly bin-rail, besturing, 12" sokkappel
REV	DATE	DESCRIPTION

REVISION HISTORY			
REV	DATE	DESCRIPTION	

ALL DIMENSIONS IN MM OVERALL TOLERANCE 0.5mm	35 MM P.S. DATE 1-12-2007	MAT: DIN:
JIS MAT: May 2006	CHECK	FINISH:
NAME Compact Gastrovac Pro ECO	REPLACED BY	# PLACES
HFE VACUUM SYSTEMS	SCALE 1:5	FORM A1
PO Box 2281 5002 CG 's Hertogenbosch, Netherlands Phone: +31 (0)73 6 27 1 271 Fax: +31 (0)73 6 27 1 200	ART. NR 40.30.0.0000	SHEET NR
	REV B	DRW. NR 68350-1

Ownership explicitly reserved to HFE vacuum systems b.v. Multiplication in any form to third parties is not permitted without written permission of the owner.



10	11.99.0.0340/0330	Zekering 5x20mm 4 Amp.Traag / 8 Amp.Traag	1	
9	11.06.2.0620	Sluitplaat ZAP ZDU 6-2	1	
8	11.06.2.0125	Zekeringklem ZSI 25-2x2AN-G20	1	
7	09.08.0.1120	Doorverbinder dubbel MAS 100M09	2	67410
6	11.06.2.0200	Eindklem ZEW TS 35	2	
5	11.06.2.0700	Doorverbinder ZQV 2,5/2	1	
4	11.06.2.0325	Rijgklem ZDU 25-2-2AN	2	
3	11.06.2.0360	Rijgklem ZDU 6-2-2AN	1	
2	11.02.0.0550/0560	MAS AB100-M09NA4 / AB100-M09ND4	2	
1	11.06.9.9185	DIN-rail 225mm	1	52880
POS	ART. NR	DESCRIPTION	QTY	DRW. NR

REV	DATE	DESCRIPTION
A	5-2-2009	Wijziging positienummers
B	25-3-2010	Pos.3 Rijgklem ZDU 6-2-2AN verplaatst (voor de magneetschakelaars)

REVISION HISTORY

ALL DIMENSIONS IN MM OVERALL TOLERANCE: 0,5mm		DRAWN: H.W.		MAT:	
FORMAT: November 2005		DATE : 5-7-2007		DIM :	
NAME DIN RAIL III 100/120-220/240V-1 fase		CHECK:		FINISH:	
		REM:		REPLACED BY	
				REPLACES	
HFE VACUUM SYSTEMS			SCALE	FORM	ART. NR
			1:2	A3	1103.20030/0031
PO Box 2261 5202 CG 's-Hertogenbosch Netherlands Phone: +31 (0)73 6 271 271 Fax: +31 (0)73 6 271 200			REV	DRW. NR	SHEET NR
			B	70650-1	

Partlist Gastrovac Pro eco

POS	ART. NR	DESCRIPTION
5	01.13.0.0010	HEXAGON FLANGENUT M6 DIN6923 A2
6	01.13.0.0000	HEXAGON FLANGENUT M5 DIN6923 A2
7	12.08.0.0010	VIBRATION ABSORBER FOOT H-1000-1500
8	0300.01600	PUMP 016E-220/240-1-50/60
9	11.05.0.0450	COMBI-TRANSFORMER P100/230V-S16/24V
20	02.04.3.0080	SQUARE HOSE COUPLING 1/2"X19
21	01.13.0.0020	HEXAGON FLANGENUT M4 DIN6923-A2
22	01.21.1.0040	FLAT WASHER M6 D9021 A2
23	01.02.1.4016	HEXAGON SCREW M6X16 DIN933 A2
24	01.05.1.4025	ADJ.SCREW/SOC.HEAD M6X25 DIN916 A2
25	01.09.1.0030	SLOTT.RAIS.COUNTER.HEAD SCREW M4X10 DIN7985 A2
32	09.01.1.3460	BOTTOM SECTION GASTROVAC PRO ECO
33	1100.29000	NET ENTREE MALE SNAP-IN STF42
34	1100.23000	THERMAL FUSE 10A
35	09.01.1.3461	BACKPLATE GASTROVAC PRO ECO
38	96.03.2.0398	STICKER MACHINETYPE
39	96.03.2.1090	STICKER TENSION TRIANGLE
40	96.03.2.0460	STICKER OIL
43	07.03.4.0010	BRANCH PIPE H-1000/1500 READY
44	03.02.0.0010A	VALVE COMBINATION 2/42/82
45	9414.00005	SEALCYLINDER 90MM TROUGH SHAFT M4+M5
46	03.03.1.0090	PLASTIC NUT M24
47	0803.00030	EXTENSIONPIECE SEALCYLINDER 40MM
48	08.01.1.0290	SILICONHOLDER E-153
49	12.08.0.0020	VIBRATION ABSORBER SILICONHOLDER ACR.COVER
50	1201.00030	INSERTPLATE 153-150i -PRO ECO
51	12.11.0.0010	RING NYLON (33-5)
52	12.01.0.0240B	VACUUMCOVER E-153
53	12.07.0.3060	CLOSINGRING 10X5X1 70 SHORE
54	01.09.3.0020	BOOK SCREW COVER 20MM
55	12.05.0.5150	SILICON T-PROFILE 40° SHORE - 25M
56	0804.00075	HINGEPART COMPACT ECO
57	1500.00005	GUIDE BEARING 6X9X6
59	09.15.0.0300	VACUUMCHAMBER GASTROVAC PRO ECO
63	01.99.2.4012	ADJUSTING FORK 1000/1500
64	01.99.2.4013	ADJUSTING FORK CLOSINGPIN 1000/1500
66	01.23.1.0015	SPRING RING WITH COVER 6MM
67	0802.00075	HINGE BEARING PRO ECO
68	11.02.0.0620	MICRO CONTROLLER MV3003L
69	01.99.6.0030	BALLTAP 03/ACR L=37
70	0199.08120	STUD M8X120MM
71	01.10.1.0050	HEXAGON NUT M8 DIN934 A2
79	0199.00010	TENSION NAIL SILICONHOLDER
80	01.05.1.3016	ADJ.SCREW/SOC.HEAD M5X16 DIN916 A2
81	12.05.0.5010	SIL.PROFILE LIDGASKET 8MM 60°SH/25MTR
82	01.05.1.3025	ADJ.SCREW/SOC.HEAD M5X25 DIN916 A2
83	12.07.0.1210	O- RING 32X4
84	02.04.4.0020	SQUARE HOSE COUPLING 1/8"X6 EXT.
85	02.04.4.0050	RIGHT HOSE COUPLING 1/8"X6 EXT.
86	01.06.1.1016	SLOTTED CHEESE HEAD SCREW M3X16 A2 DIN84
87	01.20.1.0010	CASTLE WASHER M3

Partlist Gastrovac Pro eco

POS	ART. NR	DESCRIPTION
88	01.10.1.0010	HEXAGON NUT M3 DIN934 A2
89	01.20.1.0040	CASTLE WASHER M6
90	01.09.1.0010	SLOTT.RAIS.COUNTER.HEAD SCREW M4X10 DIN966 A2
91	01.05.1.6050	ADJ.SCREW/SOC.HEAD M10X50 D916 A2
92	01.21.1.0060	FLAT WASHER M10 D9021 A2
93	01.11.3.0100	CAPNUT HIGH M10 D1587 A2
94	01.22.2.0030	VEERRING VERTAND M4 DIN 6798-A
95	01.06.1.2006	SLOTTED CHEESE HEAD SCREW M4X6 A2 DIN84
96	12.07.0.1070	O-RING 34x3 mm
97	12.07.0.1100	O-RING 40x3 mm
98	94.01.0.0385	SEALBEAM SS A153L/173L/193K/PRO
99	09.01.1.4430	BOTTOMPLATE GASTROVAC PRO ECO
100	1701.00015	LIDLOCKER GASTRO.PRO ECO
101	12.05.0.2000	PVC SUCTIONHOSE HNA-20X3.4MM
102	02.01.2.0080	HOSE CLIP ABA 15-24MM
103	02.05.4.0060	CONNECTINGPIECE T-PIECE 6MM
105	12.05.0.0010	HOSE (O2) DRAGO 6X13
107	06.01.4.0250	GASSPRING 1752VI / 275N BALL-HEAD
108	1103.20030	DIN-CONDUCTOR III 220-240V-1~ASSEMB.
109	S6>ECO-3/5-HV	ASSEMBLY CONTROL A 3.5 HV
110	02.06.3.0270	EXTEN.SOCK.BEAD.REDUC.1/2 EXT/INT