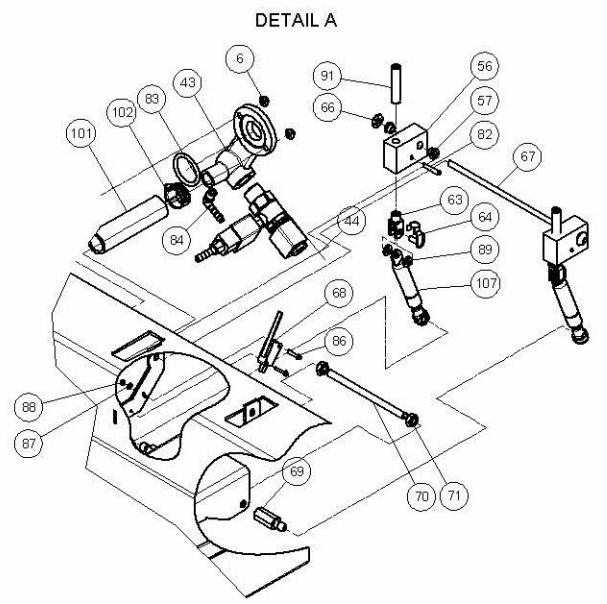
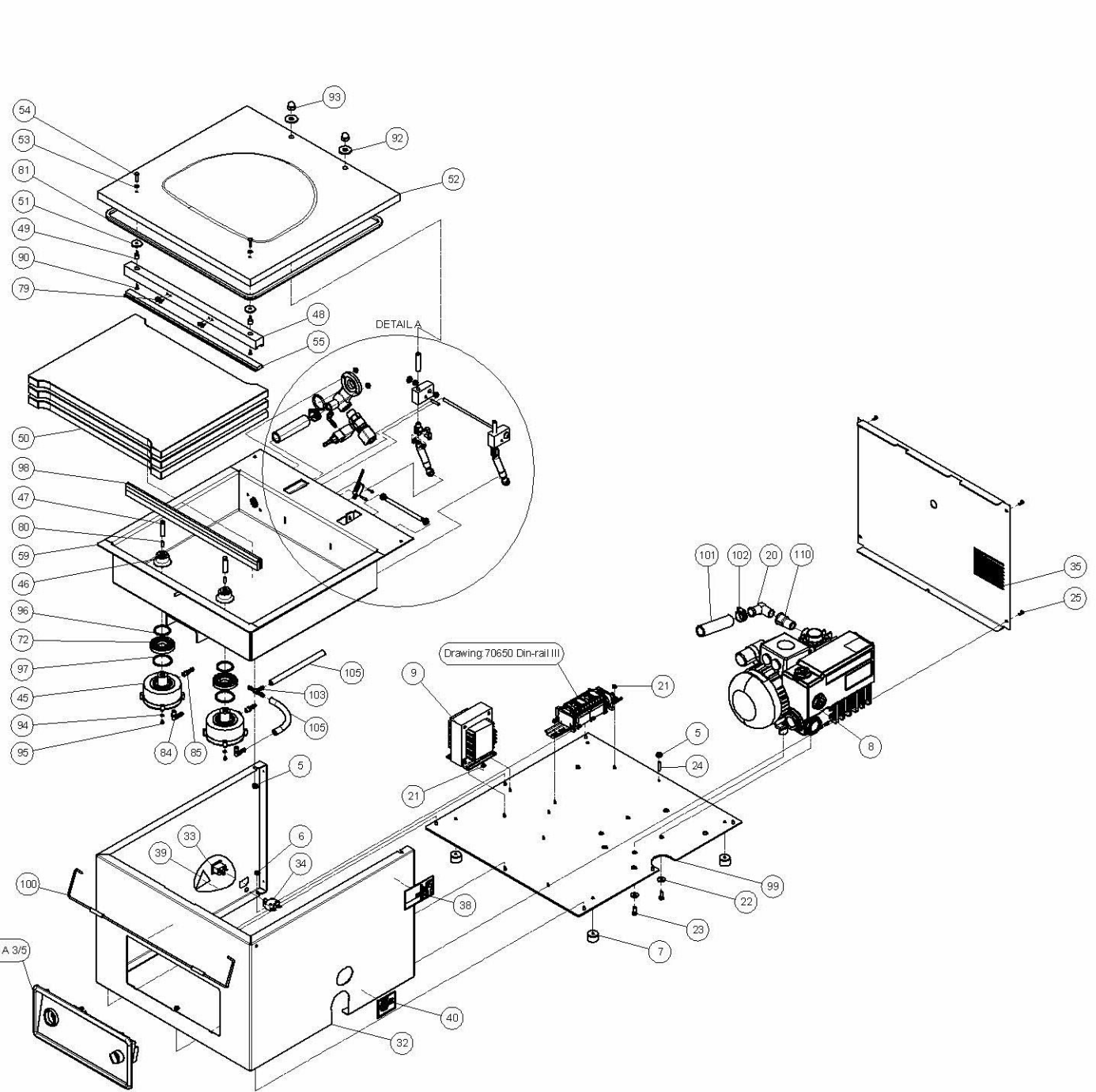


Ownership explicitly reserved to HFE vacuum systems b.v. Multiplication is only from its third parties is not permitted without written permission of the owner.



A	22-9-2008	Net-entree/afsluiter voorpaneel, spanning
B	30-1-2009	Assembly bin-rail, besturing, 12" sokkappel
REV	DATE	DESCRIPTION

REVISION HISTORY			
REV	DATE	DESCRIPTION	

ALL DIMENSIONS IN MM OVERALL TOLERANCE: 0.5mm 1:5 MAT: May 2008 NAME: Compact Gastrovac Pro ECO	35 MM P.S. DATE: 1-12-2007 CHECK: REPLACED BY: # # # # # #	MAT: DIM: TECH: REPLACED BY: # # # # # #
HFE VACUUM SYSTEMS PO Box 2281 6002 CG 's Hertogenbosch, Netherlands Phone: +31 (0)73 6 27 1 27 1 Fax: +31 (0)73 6 27 1 200	SCALE: 1:5 FORM: A1 ART. NR: 40.30.0.0000 REV: B DRAW. NR: 68350-1 SHEET NR:	# # #

