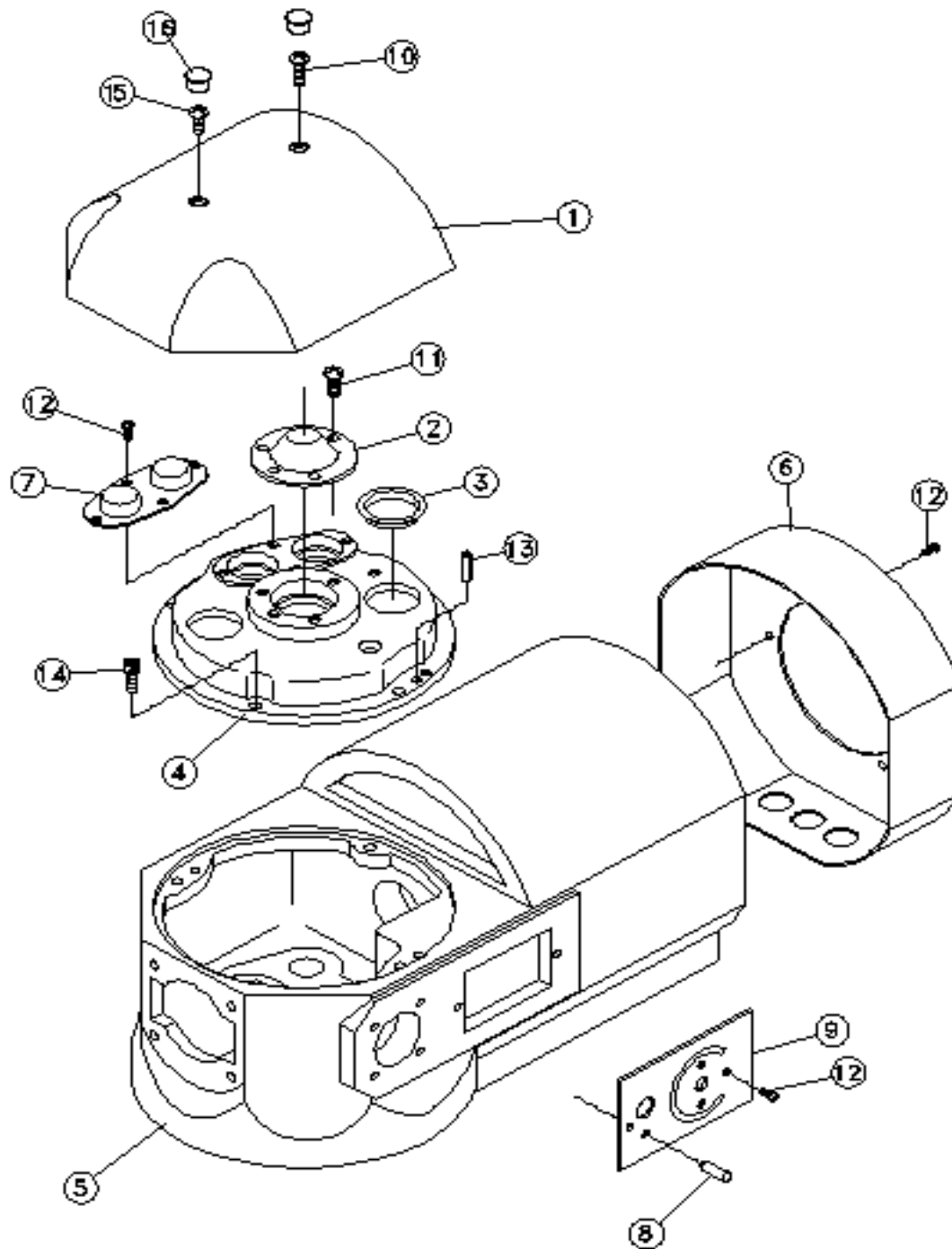


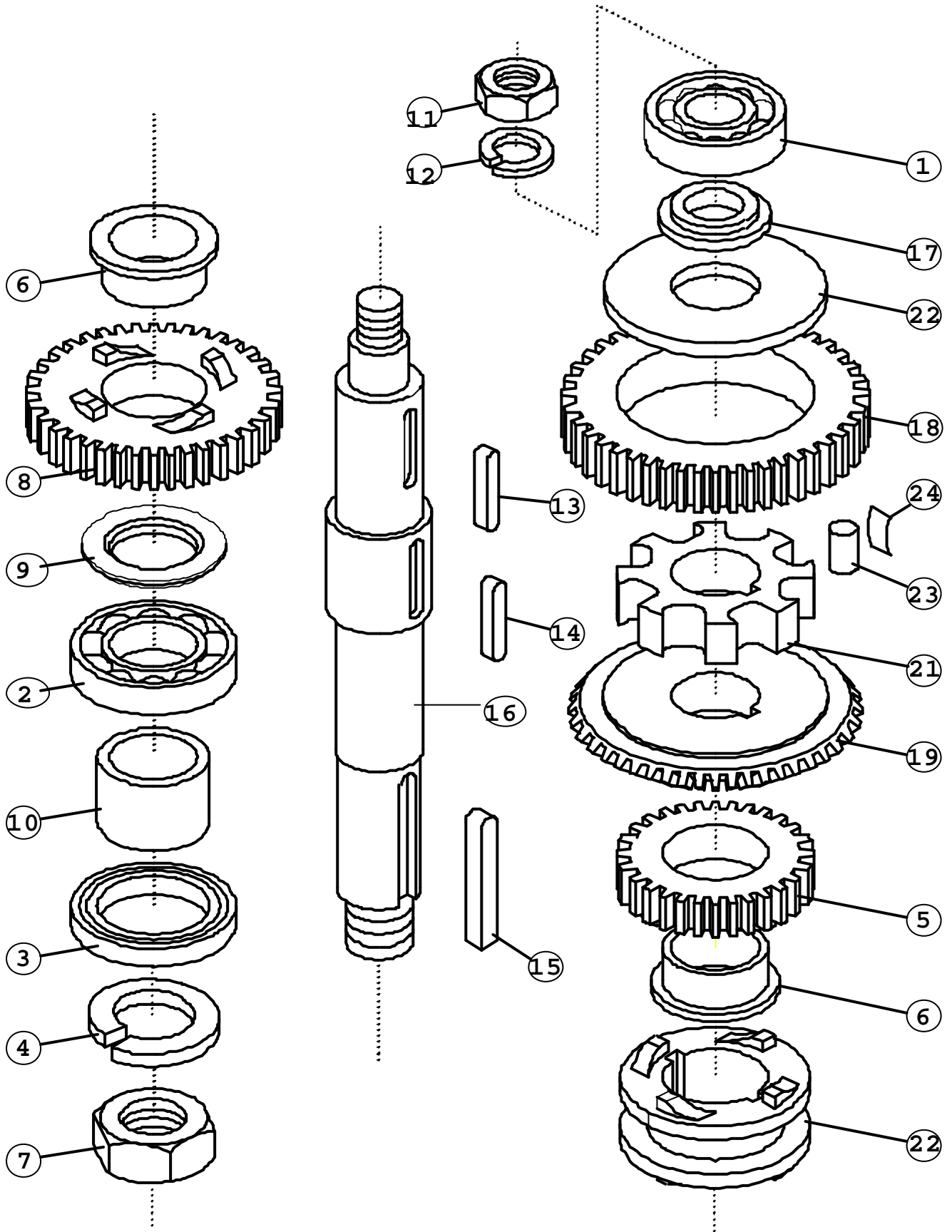
Figure 1. TRANSMISSION CASE

11012-01-000



	Description or Name	HL Part No.	Qty
1	Upper Lid	11012-01-001	1
2	Planetary Bearing Retainer	11012-01-002	1
3	Cover Plug	11012-01-003	2
4	Gear Housing Cover	11012-01-004	1
5	Transmission Case	11012-01-005A	1
6	Rear Cover	11012-01-006	1
7	Transmission Retainer	11012-01-007	1
8	Dowel	11012-01-008	1
9	Control Panel	11012-01-009	1
10	Mach Screw 1/4" * 1-1/2"	S+R1/4*1-1/2	1
11	Mach Screw 1/4" * 3/8"	S+R1/4*3/8	3
12	Mach Screw 3/16" * 3/8"	S+R3/16*3/8	9
13	Spring Pin 6 *22	SP-6*22	2
14	Cap Screw 1/4" * 5/8"	S-C-1/4*5/8	4
15	Mach Screw 1/4" * 1-1/4"	S+R1/4*1-1/4	1
16	Plug	11012-01-016	2

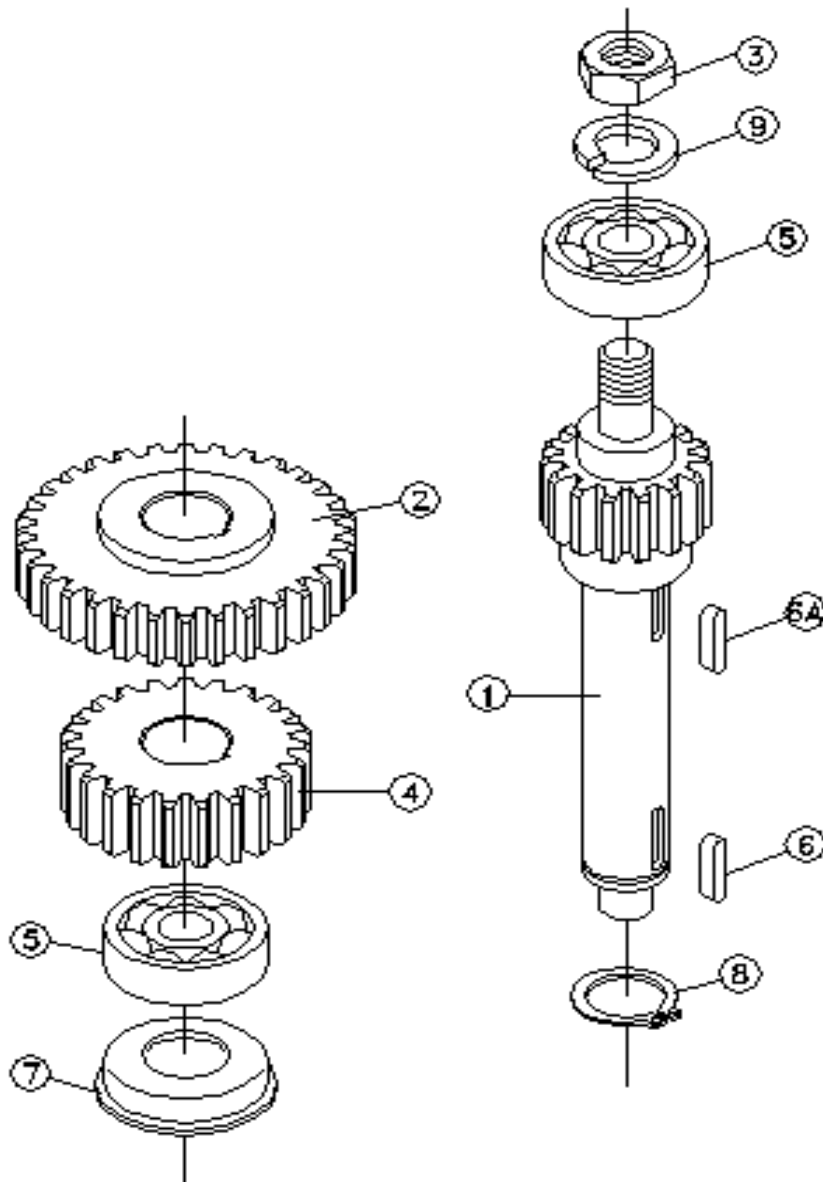
Figure 2. PLANETARY SHAFT



	Description or Name	HL Part No.	Qty
1	Ball Bearing 6203Z	BR-6203Z	1
2	Ball Bearing 6005ZZ	BR-6005ZZ	1
3	Oil Seal TC32*47*10	OS-TC32*47*10	1
4	Spring Washer 3/4"	SW-3/4	1
5	High Speed Gear (29 T)	11012-02-005	1
6	Clutch Copper Bushing	11012-02-006	2
7	Nut 3/4"*16NF	NUT-3/4*16NF	1
8	Middle Speed Gear (38 T)	11012-02-008	1
9	Washer	11012-02-009	1
10	Spacer	11012-02-010	1
11	Nut 1/2"*20NF	NUT-1/2*20NF	1
12	Spring Washer 1/2"	SW-1/2	1
13	Key 6*6*30	KRR-6*6*30	1
14	Key 6*6*30	KRR-6*6*30	1
15	Key 6*6*50	KR-6*6*50	1
16	Main Shaft	11012-02-016	1
17	Detain-Fixed Cover	11012-02-017	1
18	Low Speed Gear (46 T)	11012-02-018	1
19	Beveled Gear (46 T)	11012-02-019	1
19	Washer	11012-02-019A	1
20	Clutch	11012-02-020	1
21	Sleeve Drive	11012-02-021	1
22	Washer	11012-02-022	1
23	Pin	11012-02-023	10
24	Spring Sheet	11012-02-024	10

Figure 3. TRANSMISSION SHAFT

11012-03-000

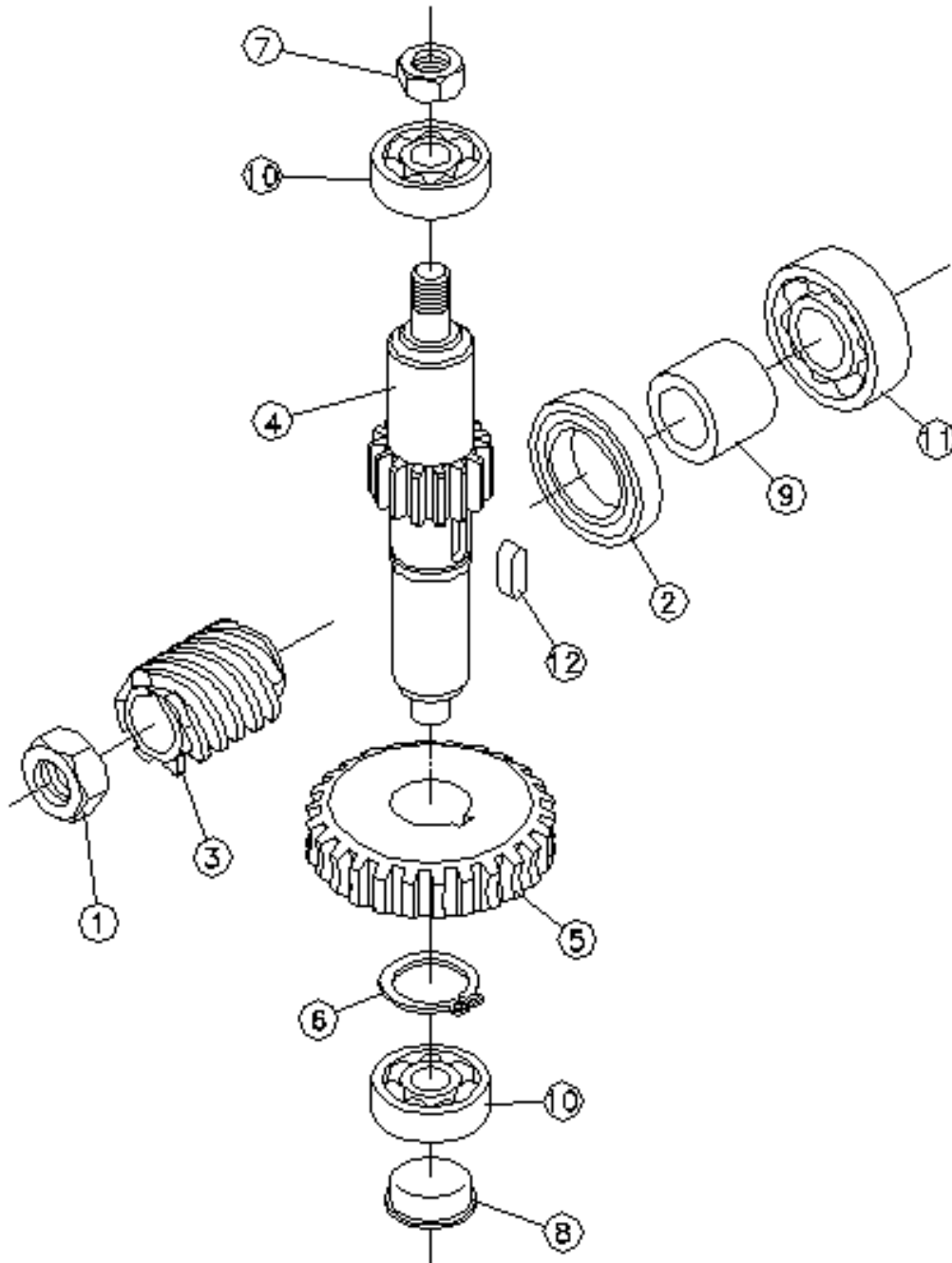


1/1.5

	Description or Name	HL Part No.	Qty
1	Shaft Gear (15 T)	11012-03-001B	1
2	High Speed Gear (32 T)	11031-03-002	1
3	Nut 3/8"*24NF	NUT-3/8*24NF	1
4	Middle Speed Gear (23 T)	11012-03-004	1
5	Ball Bearing 6200Z	BR-6200Z	2
6	Key 1/8"*1/8"*1/2	KRR-1/8*1/8*1/2	1
6A	Key 5*5*15	KRR-5*5*15	1
7	Oil Baffle	11012-03-007	1
8	C-Type Snap Ring S16	CR-S16	1
9	Spring Washer 3/8"	SW-3/8	1

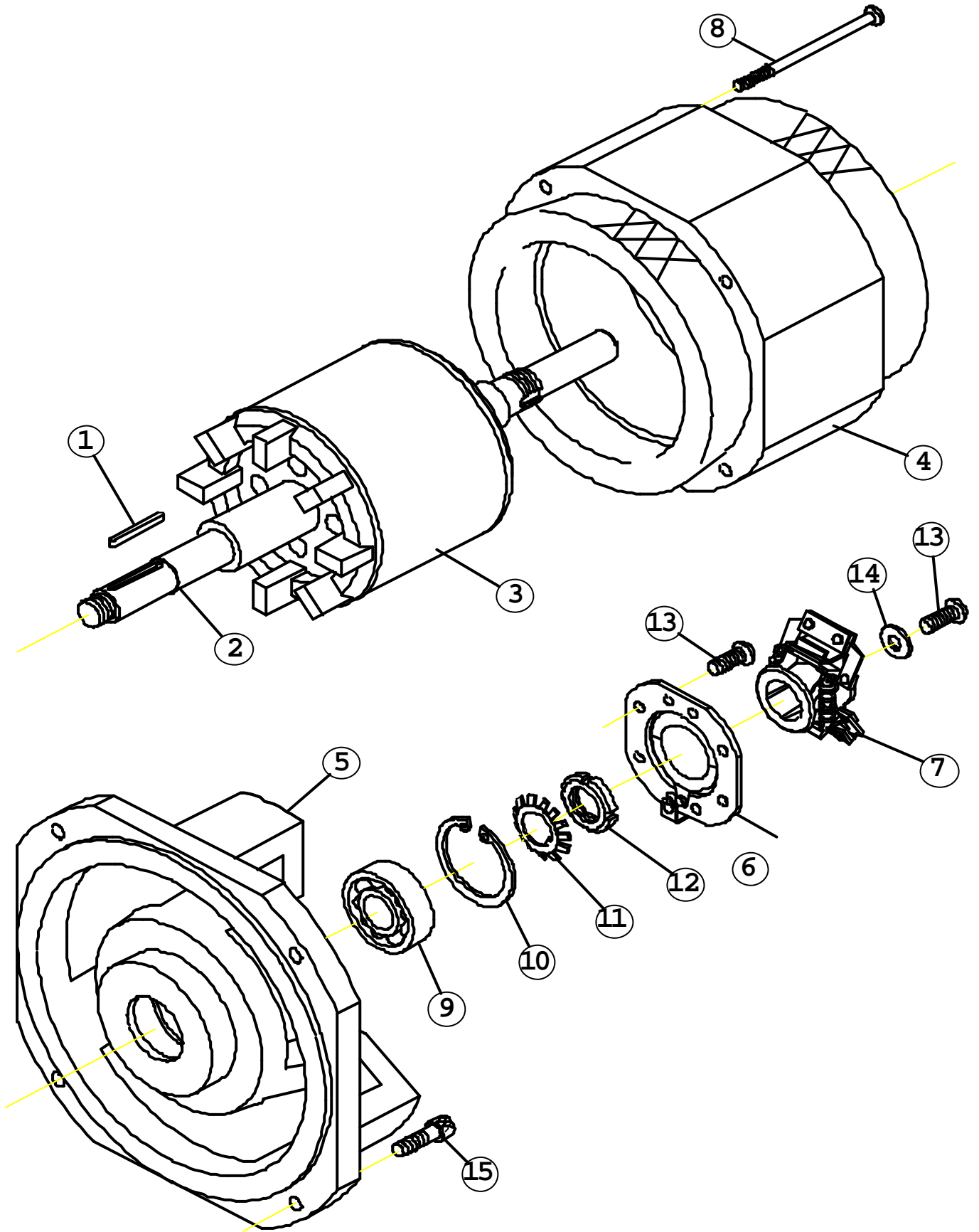
Figure 4. WORM GEAR SHAFT

11012-04-000



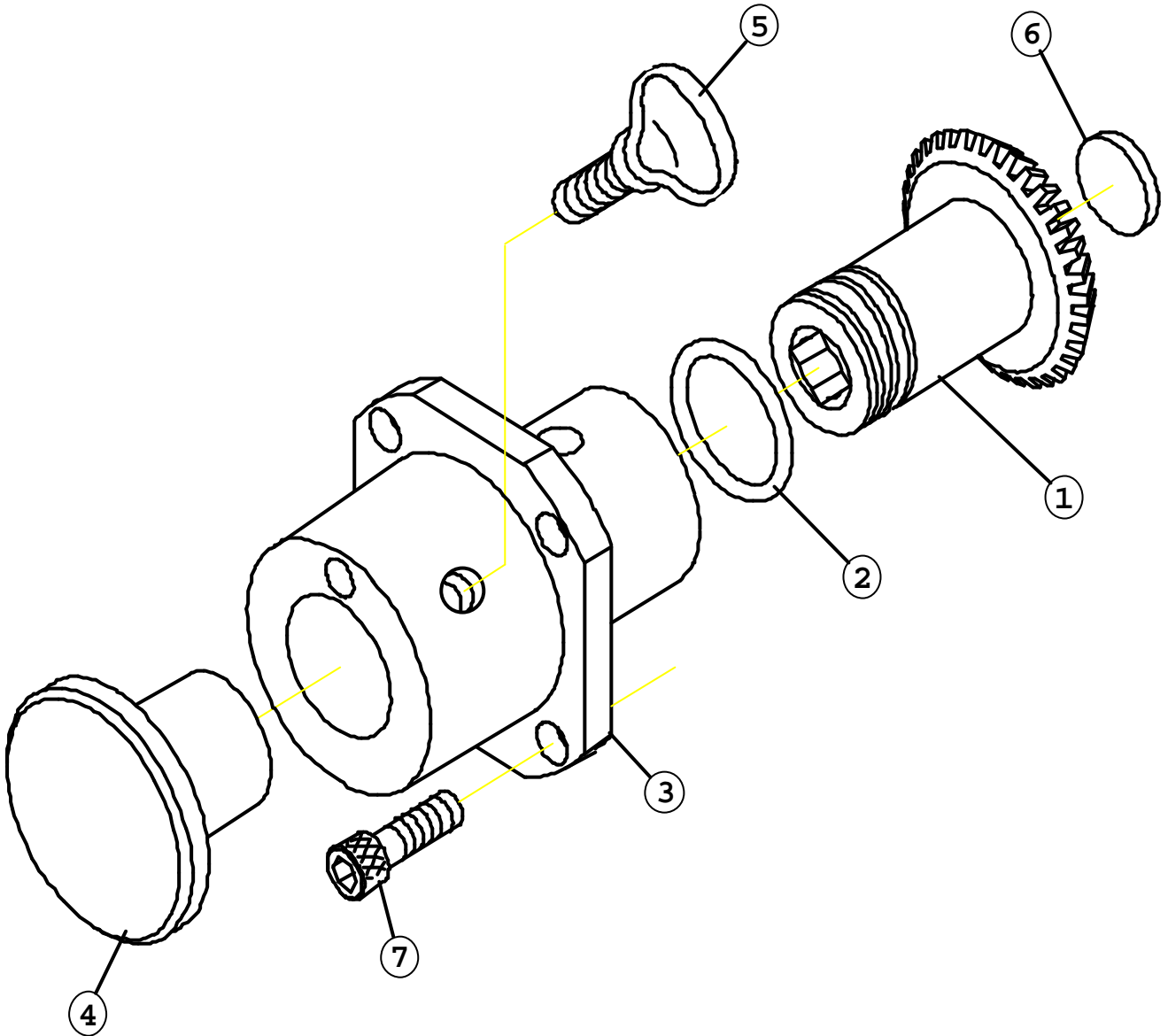
	Description or Name	HL Part No.	Qty
1	Nut 1/2"*20NF	NUT-1/2*20NF	1
2	Oil Seal TC25*40*07	OS-TC25*40*07	1
3	Worm (5M)	11012-04-003	1
3A	Worm (4 M)	11012-04-003A	1
4	Worm Gear Shaft	11012-04-004A	1
5	Worm Gear (26 T)	11012-04-005	1
5A	Worm Gear (27 T)	11012-04-005A	1
6	C-Type Snap Ring S20	CR-S20	1
7	Nut 3/8"*24NF	NUT-3/8*24NF	1
8	Oil Baffle	11012-04-008	1
9	Spacer	11012-04-009	1
10	Ball Bearing 6200Z	BR-6200Z	2
11	Ball Bearing 6203Z	BR-6203Z	1
12	Key 5*5*15	KRR-5*5*15	1

Figure 5. MOTOR UNIT



	Description or Name	HL Part No.	Qty
1	Key 1/8"*1/8"*28	KRR-1/8*1/8*28	1
2	Motor Shaft	11012-05-002A	1
3	Rotor of Motor	11012-05-003A	1
		11012-05-003B	1
4	Stator of Motor	11012-05-004	1
		11012-05-004B	1
5	Bearing Housing	11012-05-005	1
6	Centrifugal Governor Plate	11012-05-006	1
7	Centrifugal Governor	11012-05-007	1
8	Mach Screw 3/16*3"	S+R3/16*3	4
9	Ball Bearing 6203ZZ	BR-6203ZZ	1
10	C-type Snap Ring R40	CR-R40	1
11	Lock Washer 17	M17	1
12	Lock Washer M17	MN17*P1.0	1
13	Mach Screw 3/16"*3/8"	S+R3/16*3/8	3
14	Spring washer 3/16"	SW-3/16	1
15	Cap Screw 1/4"*5/8"	S-C-1/4*5/8	4

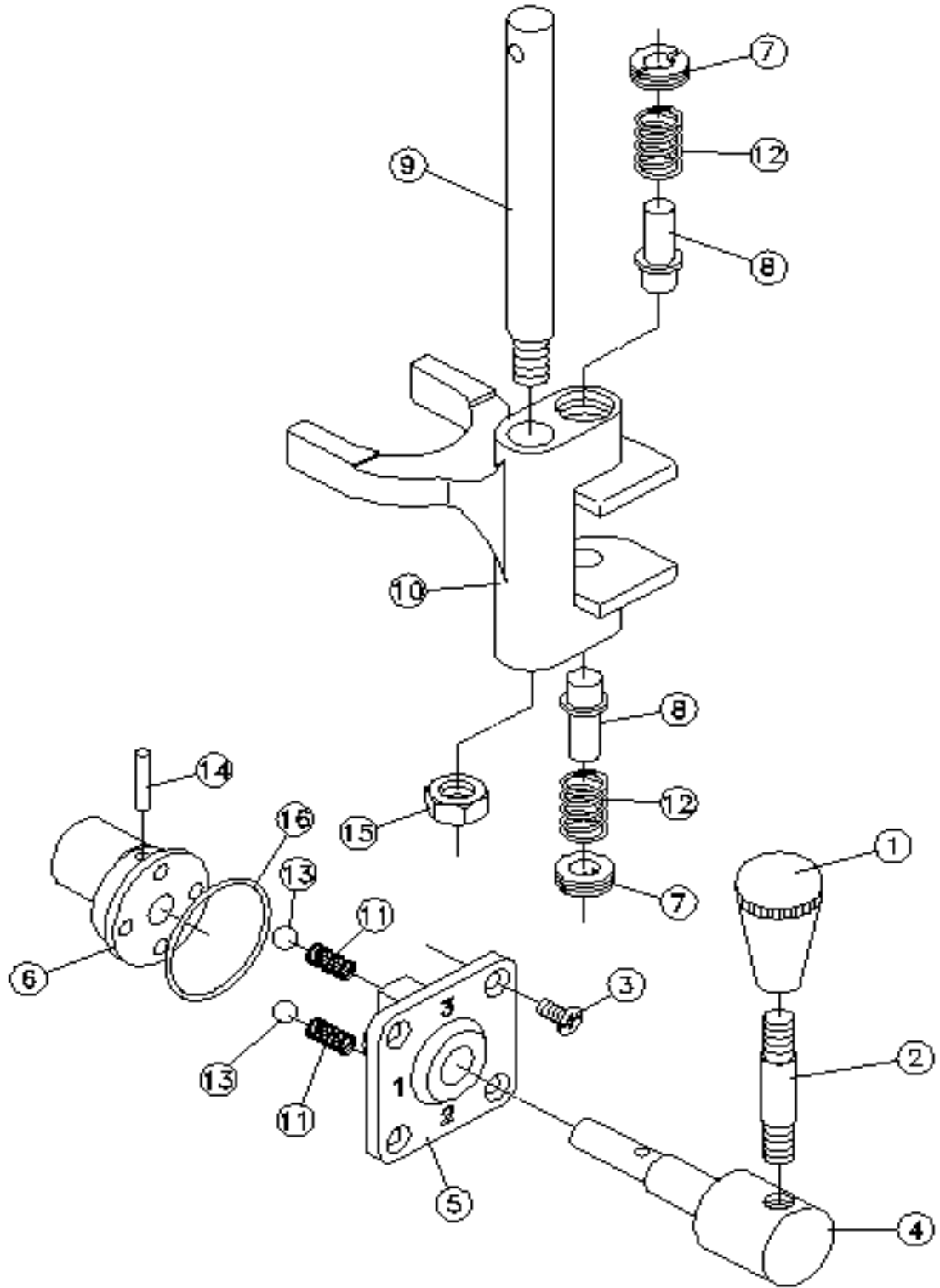
Figure 6. ATTACHMENT HUB



	Description or Name	HL part no.	Qty
1	Bevel Pinion	11012-06-001	1
2	O Snap Ring P35	OR-P35	1
3	Hub Attachment	11012-06-003	1
4	Attachment Hole Plug	11091-06-004	1
5	Thumb Screw	11031-06-005	1
6	Oil Baffle	11012-06-006	1
7	Cap Screw 1/4*5/8	S-C-1/4*5/8	4

Figure 7 SHIFTING UNIT

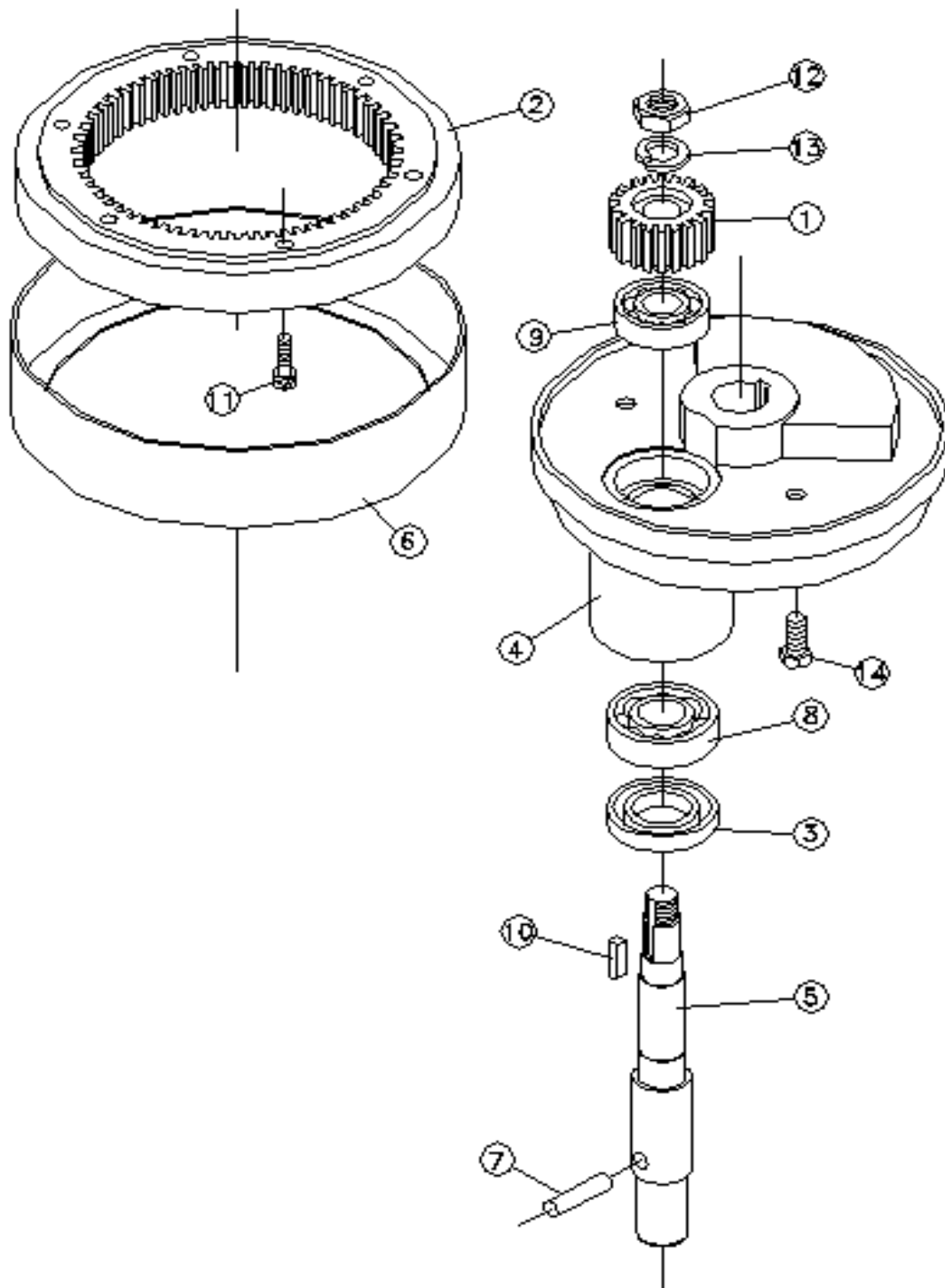
11012-07-000



	Description or Name	HL part no.	Qty
1	Knob For Shief Handle	11012-07-001	1
2	Shift Handle	11012-07-002	1
3	Mach Screw 3/16''*1/2''	S+F3/16*1/2	4
4	Eccentric Shift Shaft	11012-07-004	1
5	Shift Selector	11012-07-005	1
6	Eccentric Shaft	11012-07-006	1
7	Screw	11031-07-007	2
8	Shift Fork Plunger	11031-07-008	2
9	Shifter Fixed Shaft	11012-07-009	1
10	Shift Fork	11012-07-010	1
11	Compression Spring	11031-07-011	2
12	Compression Spring	11031-07-012	2
13	Steel Ball 6	SB-6	2
14	Spring Pin 4*24	SPP-4*24	1
15	Nut 3/8''*16NC	NUT-3/8*16NC	1
16	O RING 33.5*37.5*2	OR-33.5*37.5*2	1

Figure 8. PLANETARY

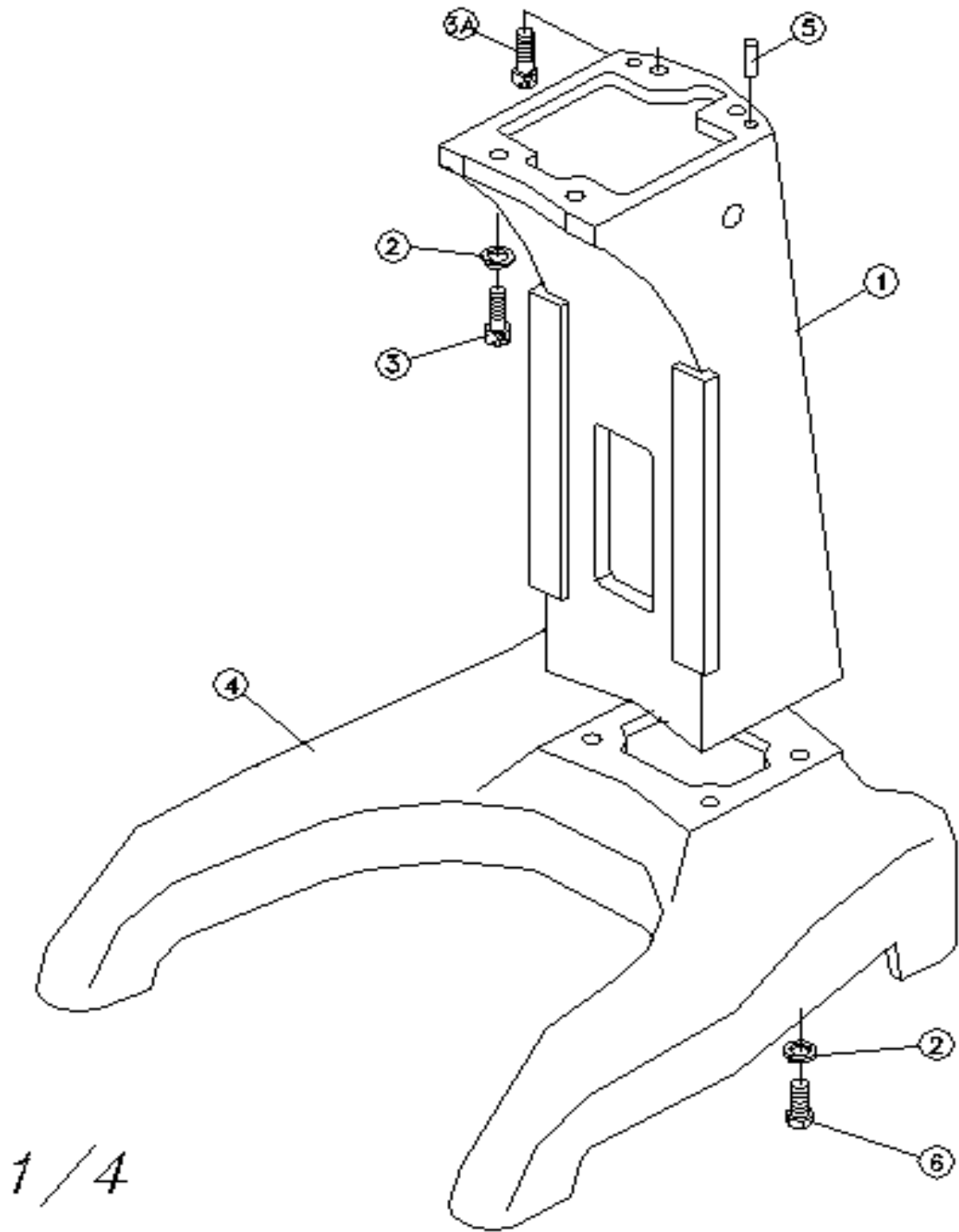
11012-08-000



	Description or Name	HL part no.	Qty
1	Internal Pinion (19 T)	11012-08-001	1
2	Internal Drive Gear	11012-08-002	1
3	Oil Seal TC25*47*08	OS-TC25*47*08	1
4	Planetary Head	11012-08-004	1
5	Agitating Shaft	11012-08-005	1
6	Head Ring	11012-08-006	1
7	Tapered Pin	11012-08-007	1
8	Ball Bearing 6204Z	BR-6204Z	1
9	Ball Bearing 6203Z	BR-6203Z	1
10	Key 5*5*20	KR-5*5*20	1
11	Cap Screw 1/4"*1	S-C-1/4*1	6
12	Nut 1/2"*20NF	NUT-1/2*20NF	1
13	Spring Washer 1/2"	SW-1/2	1
14	Bolt 1/2*3/4	S-1/2*3/4	2

Figure 9. BASE AND PEDESTAL

11012-09-000A

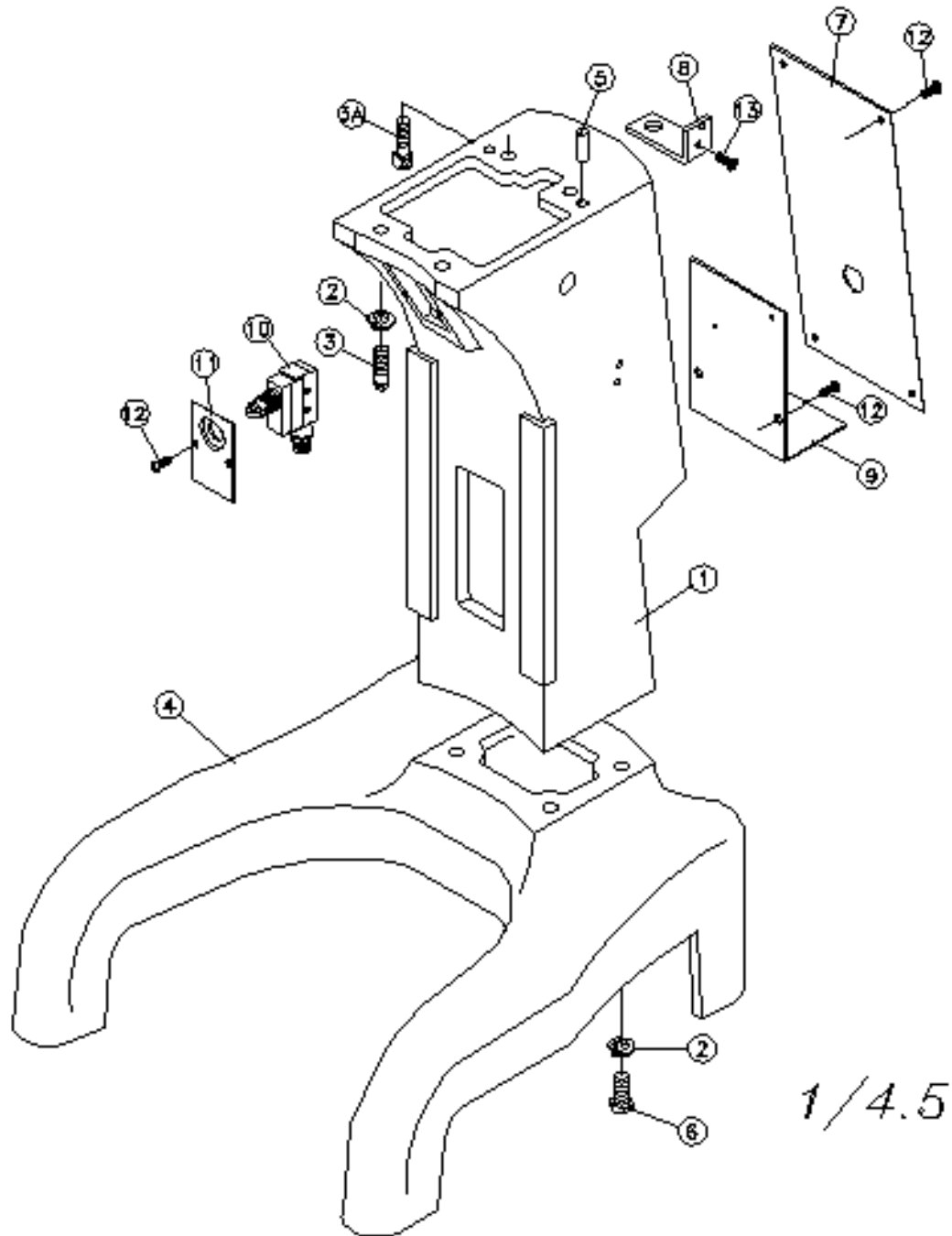


1 / 4

	Description or Name	HL part no.	Qty
1	Column A	11012-09-001	1
2	Spring Washer 3/8"	SW-3/8	8
3	Bolt	S-3/8*1-1/4	2
3A	Cap Screw 3/8"*1"	S-C-3/8*1	2
4	Base (High Foot)	11012-09-004	1
4A	Base A	11012-09-004A	1
5	Spring Pin 8*20	SPP-8*20	2
6	Bolt 3/8"*1/4"	S-3/8*1-1/4	4

Figure 9. BASE AND PEDESTAL

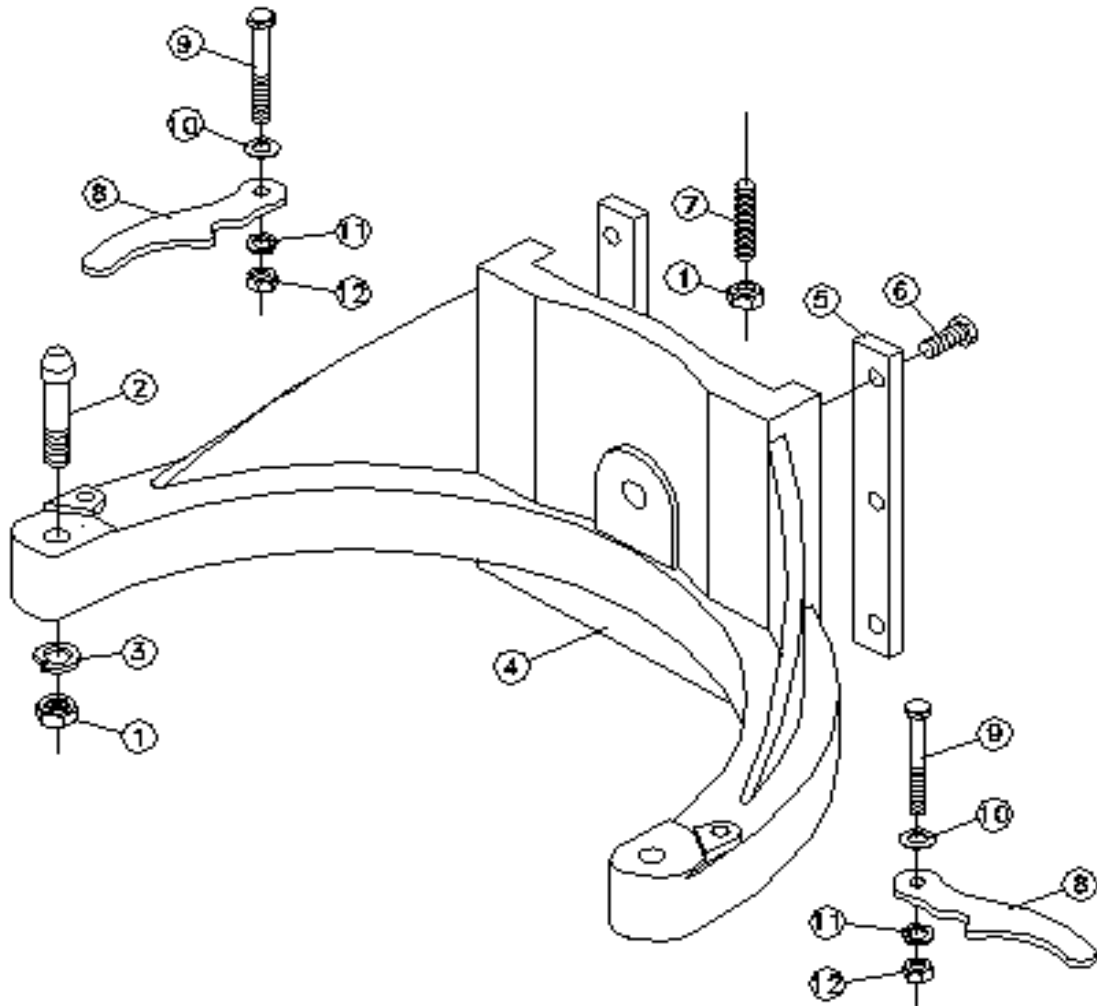
11012-09-000B



	Description or Name	HL part no.	Qty
1	Column B (box type)	11012-09-001A	1
2	Spring Washer 3/8"	SW-3/8	8
3	Bolt 3/8*1-1/4	S-3/8*1-1/4	2
3A	Cap Screw 3/8"*1"	S-C-3/8*1	2
4	Base (high foot)	11012-09-004	1
	Base A (low foot)	11012-09-004A	1
	Base B (high foot)	11012-09-004B	1
5	Spring Pin 8*20	SPP-8*20	2
6	Bolt 3/8"*1/4"	S-3/8*1-1/4	4
7	Plate of Electrical Box	11012-09-007	1
8	Seat of Limit Switch	11012-13-008	1
9	Seat of Contactor	11012-13-007	1
10	Limit Switch		1
11	Cover of Limit Switch	11012-13-006B	1
12	Mach Screw 3/16"*1/4"	S+R3/16*1/4	8
13	Mach Screw 3/16"*3/8"	S+F3/16*3/8	2

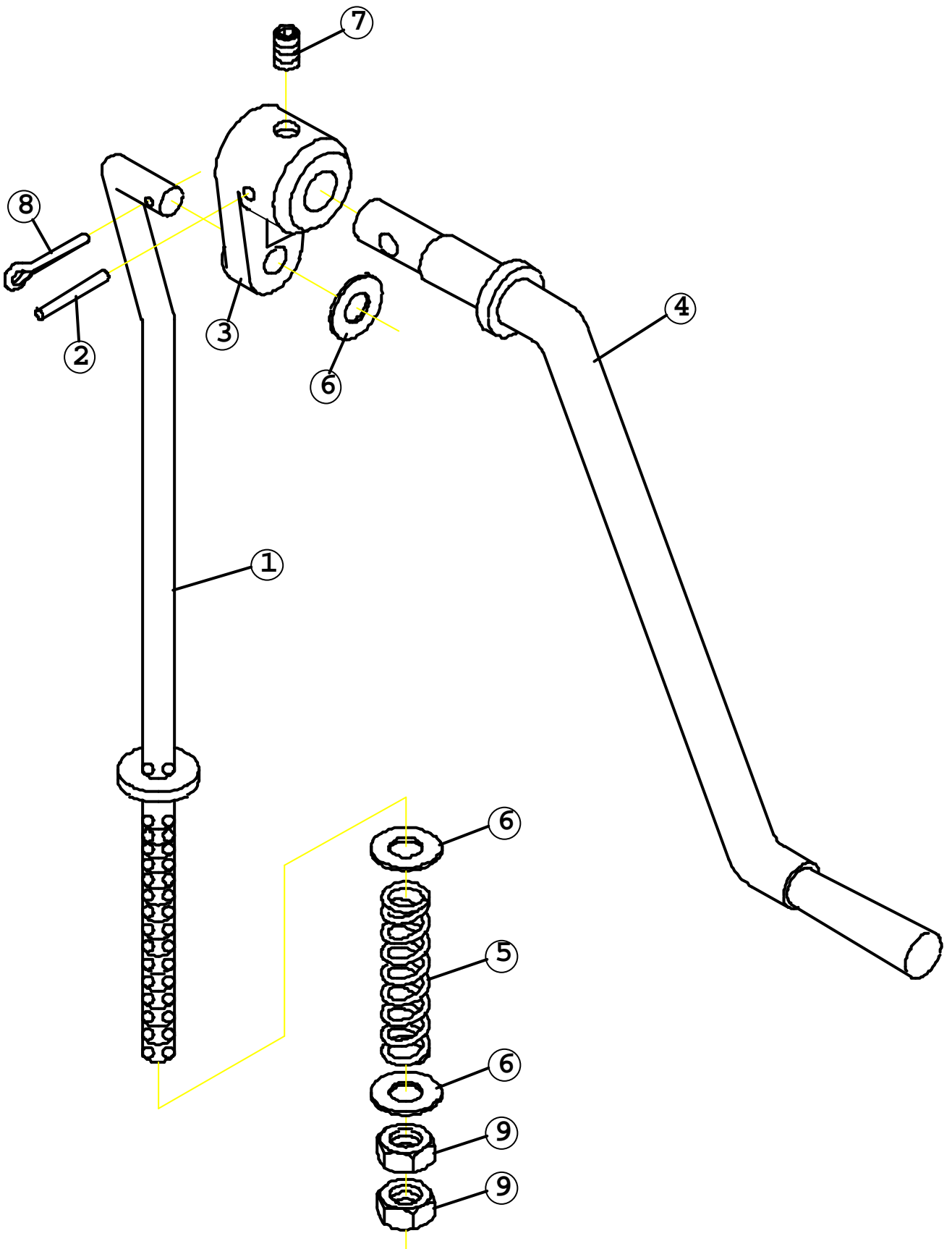
Figure 10. BOWL SUPPORT UNIT

11012-10-000



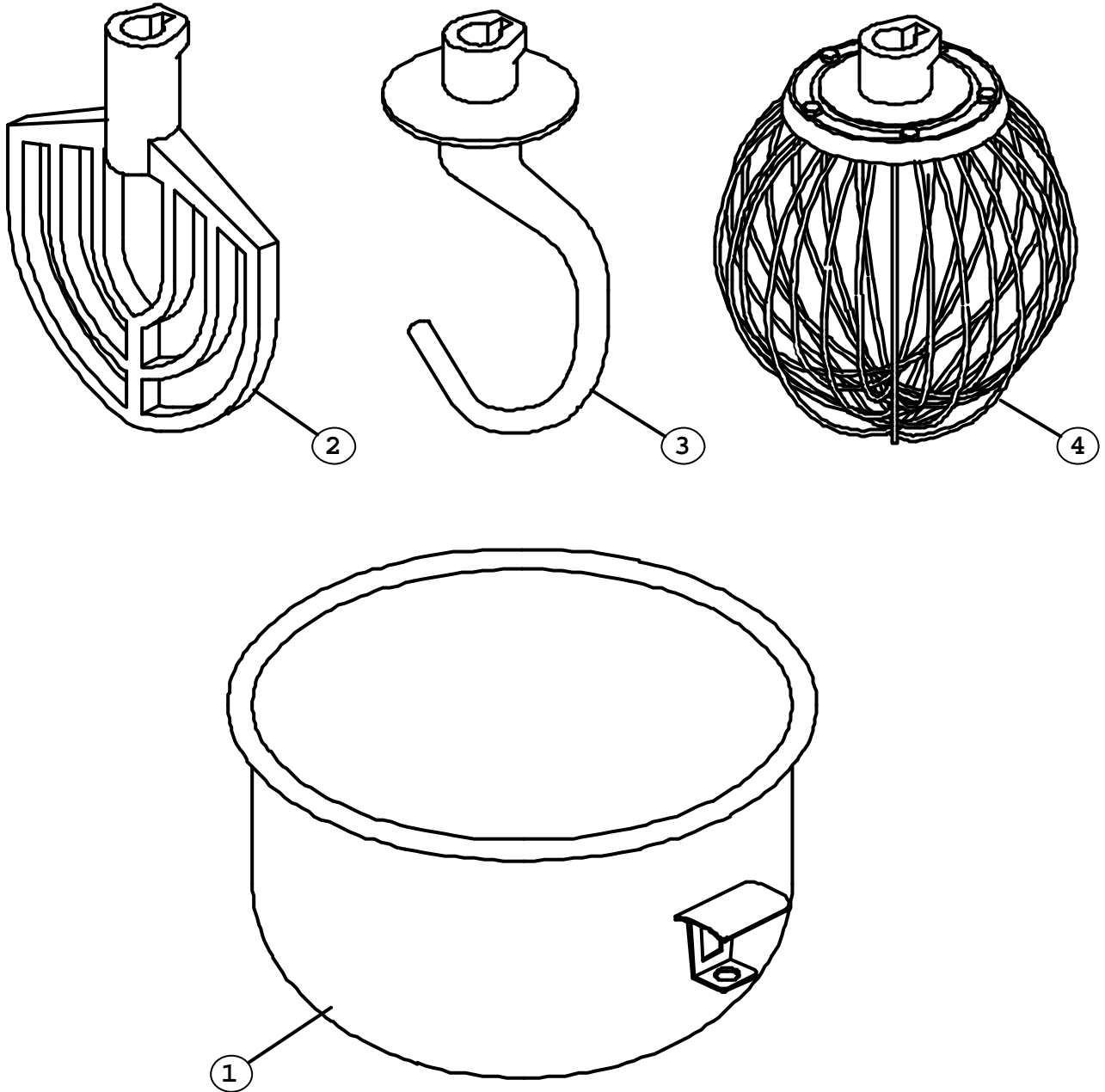
	Description or Name	HL part no.	Qty
1	Nut 3/8"*16NC	NUT-3/8*16NC	3
2	Bowl Pin	11012-10-002	2
3	Spring Washer 3/8"	SW-3/8	2
4	Bowl Support	11012-10-004	1
5	Bowl Support Locking Bar	11012-10-005	2
6	Bolt 5/16"*3/4"	S-5/16*3/4	6
7	Set Screw 3/8"*2-1/2"	S-S3/8*2-1/2	1
8	Bowl Fixed Plate	11012-10-006	2
9	Bolt-1/4*2	S-1/4*2	2
10	Spring Washer 1/4	SW-1/4	2
11	Spring Washer 1/4	SW-1/4	2
12	Nut 1/4*20NC	NUT-1/4*20NC	2

Figure 11. BOWL LIFTER UNIT



	Description or Name	HL Part No.	Qty
1	Lifting Bar	11012-11-001	1
2	Tapered Pin 4*32	TP-4*32	1
3	Lifting Handle Bracket	11012-11-003	1
4	Lift Handle	11012-11-004	1
5	Compression Spring	11012-11-005	1
6	Flat Washer 3/8"	WB-3/8	3
7	Set Screw 5/16"*3/8"	S-S5/16*3/8	1
8	Cotter Pin 1/8*20	YP-1/8*20	1
9	Nut 3/8"*16NC	NUT-3/8*16NC	2

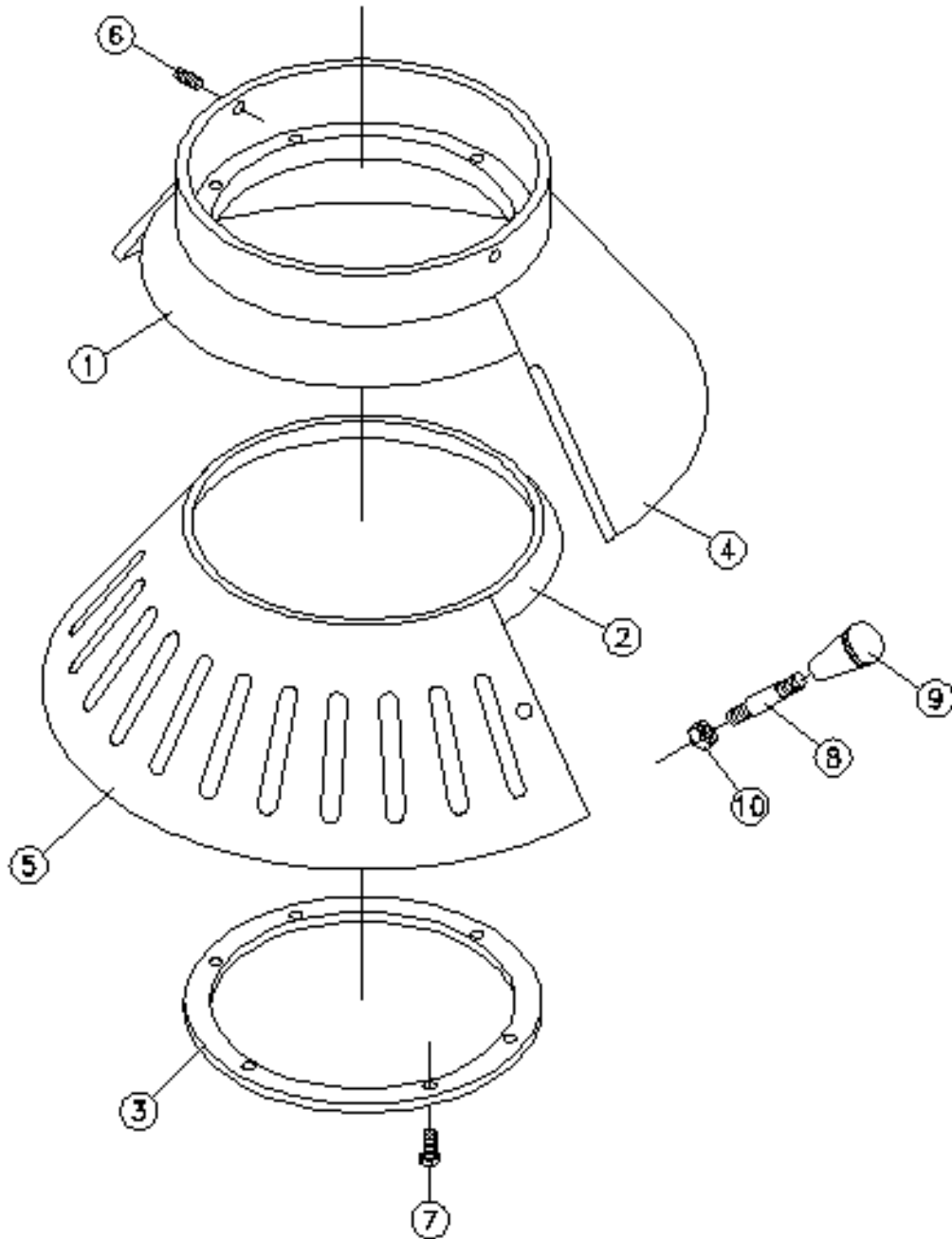
Figure 12. STANDARD ACCESSORIES



	Description or Name	HL part no.	Qty
1	SS Bowl	11012-12-001	1
2	AL Flat Beater	11012-12-002	1
3	AL Dough Hook	11012-12-003	1
4	AL Wire Whip	11012-12-004	1

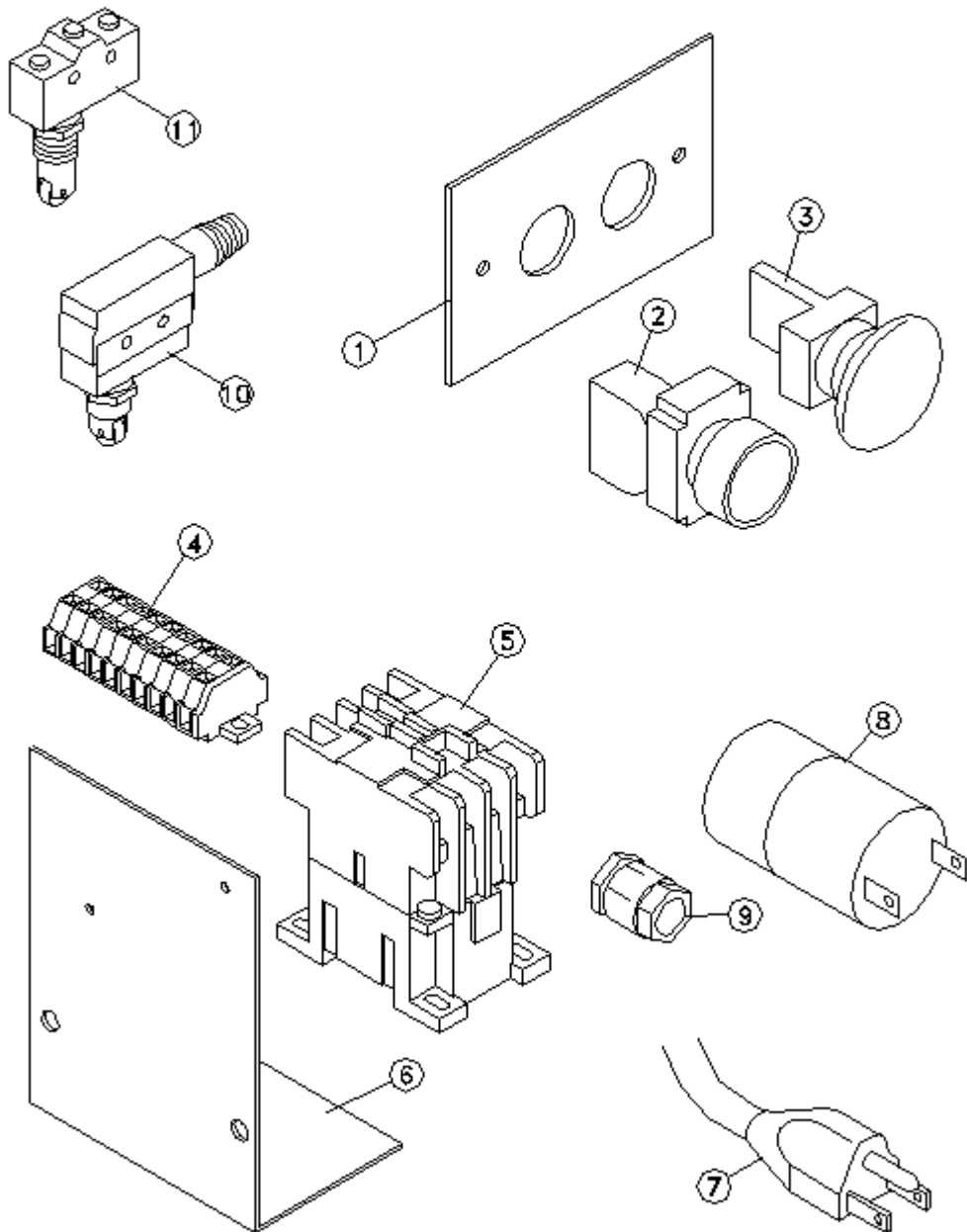
Figure 13. SAFETY GUARD UNIT

11012-13-000



	Description or Name	HL part no.	Qty
1	Head Ring	11012-13-001A	1
2	Moving Ring	11012-13-002A	1
3	Fixed Ring	11012-13-003A	1
4	Fixed Sheet	11012-13-004A	1
5	Moving Sheet	11012-13-005A	1
6	Set Screw 5/16*5/16"	S-S5/16*5/16	2
7	Mach Screw 3/16*1/2	S+R3/16*1/2	6
8	Shift-Handle	11012-07-002	1
9	Knob Of Handle	11012-07-001	1
10	Nut 5/16*18NC	NUT-5/16*18NC	1

Figure 14-1 11012-E-000A ELECTRICAL PARTS



	Description or Name	Parts No.	Qty	Remark
1	Control Panel A	11012-01-009A	1	
2	Button Switch	TE XB7 EA31	1	
3	Emergency Stop	TE XB2 ES542	1	
4	Terminal Block	WAGO 261-301	10	
5	Contactora	CN11 100-120V	1	
	Contactora	CN11 208V-240V	1	
	Contactora	CN11 380V	1	
	Contactora	CN11 415V	1	
	Contactora	CN11 440V	1	
6	Seat of Contactora	11012-13-007	1	
7	Power Cable	Cable-14-3C-CE	1	Single phase
	Power Cable	Cable-14-4C-CE	1	Three phase
8	Capacitor	CP-200UF	1	Single phase only
9	Collar	CG-20	1	
10	Limit Switch of Guard	SHL-Q2155	1	
11	Limit Switch of Lifter	Z15GQ21B	1	