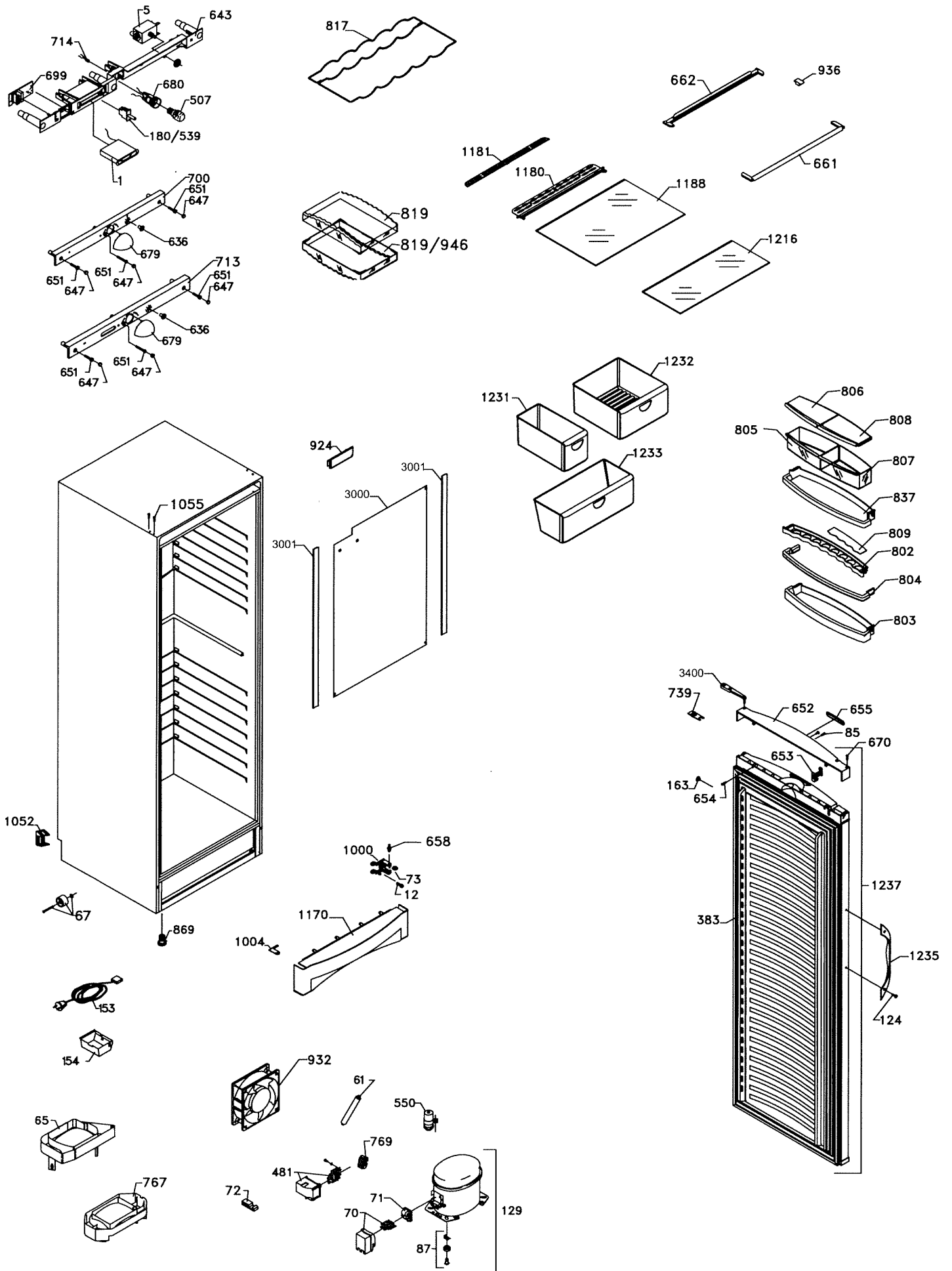


Model: SZ380R

- GB - Spare parts list** - with price code
- D - Ersatzteilliste** - mit Preiskode
- F - Liste des pieces detachees** - avec code de prix
- E - Lista de piezas de recambio** - con còdigo de precios
- NL - Lijst van reservedelen** - met prijscode
- DK - Reservedelsliste** - med priskode



| Pos. No. | Code/Teil Del No. | GB Part | Price Code |
|-------------|----------------------|--|---------------|
| 0005 | 0-7038742 | Thermostat | 0-Y5 |
| 0061 | 0-6538053 | Filter drier, 20 g | 0-V3 |
| 0065 | | Evaporating tray - see compressor components | |
| 0067 | 0-5235002 | Castor, complete | 0-D3 |
| 0070 | | Cover - see compressor components | |
| 0071 | | Starting device - see compressor components | |
| 0085 | 0-20381480215 | Screw | 0-R2 |
| 0087 | | Base plate fittings, set, complete - see compressor componen | |
| 0129 | | Compressor complete R600a - see compressor components | |
| 0153 | 0-A129702 | Mains lead | 0-K4 |
| 0154 | 0-7038254 | Cover for multiple plug | 0-F3 |
| 0163 | 0-52381660201 | Covering | 0-A2 |
| 0180 | 0-70387100101 | Switch | 0-G3 |
| 0507 | 0-703812801 | Bulb for light | 0-M3 |
| 0550 | 0-7038622 | Run capacitor-4 μ F | 0-V3 |
| 0636 | 0-52386820101 | Thermostat knob | 0-B2 |
| 0643 | 0-52386710501 | Control panel | 0-D3 |
| 0647 | 0-52386810101 | Covering | 0-B2 |
| 0651 | 0-2038067 | Screw | 0-B2 |
| 0652 | 0-52386740101 | End piece - outer part | 0-N3 |
| 0653 | 0-A142003 | Prism | 0-N2 |
| 0654 | 0-52386860101 | Mounting plug | 0-A2 |
| 0655 | 0-52386859901 | Logo piece | 0-V2 |
| 0661 | 0-52389260101 | Shelf edging | 0-R2 |
| 0662 | 0-52389250201 | Shelf edging - back | 0-X2 |
| 0669 | 0-2038063 | Screw, MK 6X12 DIN 7991 | 0-B2 |
| 0670 | 0-52386890101 | Covering | 0-A2 |
| 0679 | 0-52392600101 | Reflector for lamp | 0-X2 |
| 0680 | 0-7038264 | Socket | 0-P3 |
| 0699 | 0-7038817 | Print for control panel | 0-K4 |
| 0700 | 0-52386940201 | Cover plate for top panel | 0-N3 |
| 0714 | 0-7038601 | Thermal relay | 0-A4 |
| 0802 | 0-52387370110 | Egg tray | 0-P2 |
| 0803 | 0-52391440110 | Bottle holder | 0-V3 |
| 0804 | 0-52389200101 | Stop for bottle holder | 0-V3 |
| 0805 | 0-52389280110 | Door box left | 0-F3 |
| 0806 | 0-52389290101 | Lid for left door box | 0-R2 |
| 0807 | 0-52389300110 | Door box right | 0-F3 |
| 0808 | 0-52389310101 | Lid for right door box | 0-R2 |
| 0809 | 0-52389320110 | Insert for egg tray | 0-E2 |
| 0817 | 0-6938302 | Bottle shelf | 0-E4 |
| 0819 | 0-52387600110 | Meatbox - half | 0-V3 |
| 0837 | 0-52389370110 | Bottle holder | 0-K3 |
| 0869 | 0-5238956 | Adjustable foot | 0-P2 |
| 0924 | 0-52389570101 | Pipe covering | 0-G2 |
| 0936 | 0-5238992 | Rubber pad to secure the shelf edging | 0-D2 |
| 1000 | 0-A1040100501 | Hinge | 0-G3 |
| 1004 | 0-52390260101 | Hole plugs for bottom panel | 0-D2 |
| 1055 | 0-52386620101 | Covering | 0-A2 |
| 1170 | 0-52386690301 | Bottom panel, skirting board | 0-R3 |
| 1180 | 0-523916802 | Rear edging with slide | 0-O2 |
| 1181 | 0-5239169 | Slide for rear edging | 0-K2 |
| 1188 | 0-75383590336 | Glass shelf 493x337mm | 0-N4 |
| 1216 | 0-75383610236 | Glass shelf 493x190mm | 0-N4 |
| 1231 | 0-A1780100110 | Crisper bin | 0-A4 |
| 1232 | 0-A1780110110 | Crisper bin | 0-K4 |
| 1233 | 0-A1780120110 | Crisper bin | 0-P4 |
| 1235 | 0-52392550192 | Hand lever Boomerang | 0-Z4 |
| 1237 | 0-A5102090401 | Door, refrigerator, complete | 0-V9 |
| 3000 | 0-6738164 | Z-bond evaporator | 0-F8 |
| 3001 | 0-5239224 | Side edging for evaporator (698mm) | 0-L2 |

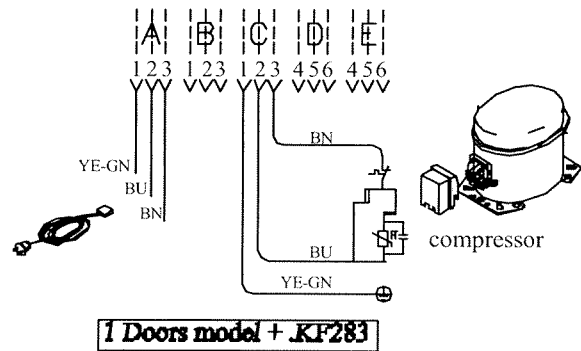
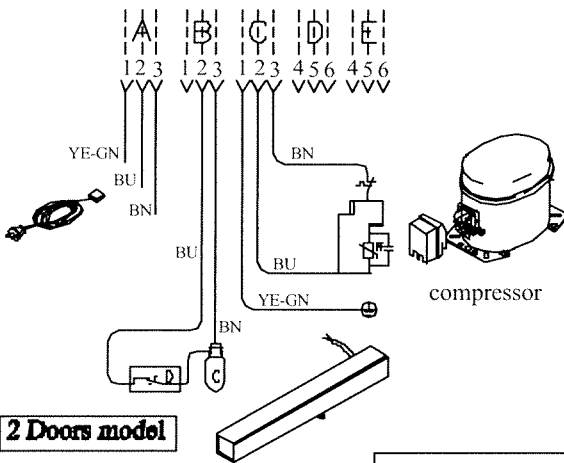
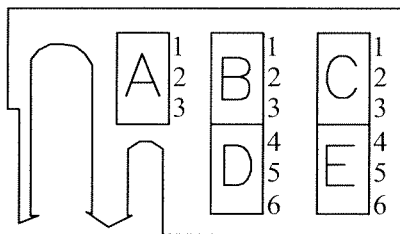
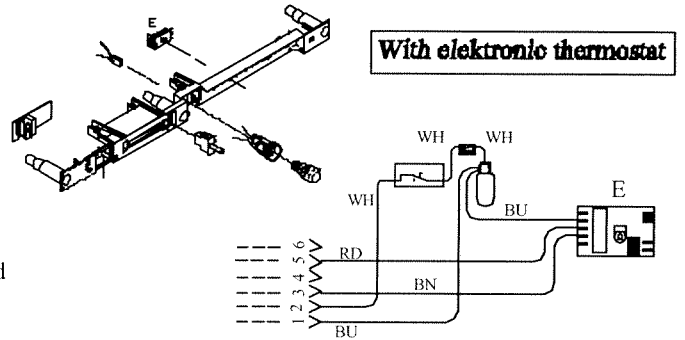
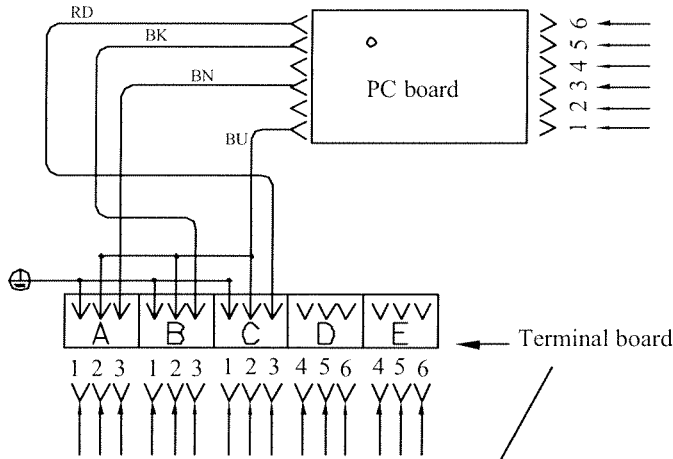
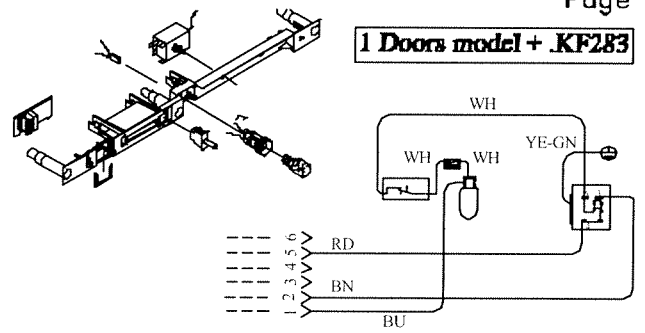
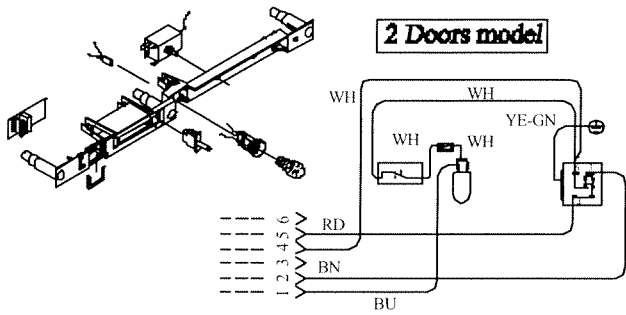
| Pos. No. | Code/Teil Del No. | GB Part | Price Code |
|-------------|----------------------|---------------------------|---------------|
| 3400 | 0-A9106870101 | Hinge + screw, upper part | 0-C3 |

This appliance is produced with the following compressores:

Pos. nr. 0129 TLX5,7KK3 E-PTC

Please note!

The drawing covers all variants of the model and therefore contains more pos.numbers than your product. See the spare parts list for exact product specification.

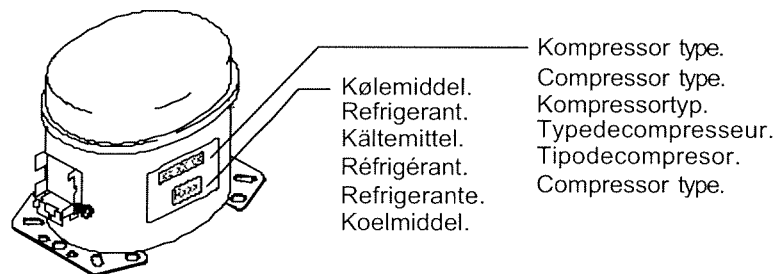


| 230 V | | | | 115 V | |
|-------|----------|--------------|-----------|-------------|-------|
| - | Farvkode | Colour Code | Farvkode | Colour Code | |
| | | | | New | Old |
| BN | Brun | Brown | Braun | Brown | white |
| BU | Blå | Blue | Blau | Blue | Black |
| BK | Sort | Black | Schwartz | Black | Blue |
| Li | Lilla | Lilac | Lila | Lilac | Brown |
| YE-GN | Gul/Grøn | Yellow/green | Gelb/grün | Green | Green |
| WH | Hvid | White | Weiss | White | White |
| RD | Rød | Red | Rot | Red | Red |

10.06.090 - B

General information.
Allgemeine Information.
Information générale.
Información general.
Algemeene informatie.
Generel information.

Information regarding compressors and accessories - see **compressor components**, QCS.07.14.-S.-2.-011.
 Informationen bezüglich Kompressoren und Zubehör - siehe **Compressor Components**, QCS.07.14.-S.-2.-011.
 Informations concernant compresseur et accessoires - voyez **compressor components**, QCS.07.14.-S.-2.-011.
 Información sobre compresores y accesorios - véase **compressor components**, QCS.07.14.-S.-2.-011.
 Informatie betreffende compressoren en toebehoren -. Zien **compressor components**, QCS.07.14.-S.-2.-011.
 Information vedrørende kompressor og tilbehør - se **compressor components**, QCS.07.14.-S.-2.-011.



N.B. : At all inquiries to Vestfrost about the unit the product number and the serial number must be stated.
 NB! : Bei allen Anfragen bei Vestfrost weg der Einheits soll die Produktnummer und die Seriennummer angegeben werden.
 N.B. : A tout démarc heauprès de la Sté Vestfrost concernant des unités le numéro de produit et le numéro de série doivent être indiqués.
 ¡Note!: En caso de consulta a Vestfrost sobre el aparato hay que indicarle el número del producto y el número de serie.
 N.B.! : Bij allen contacten met Vestfrost betr. eenheden moeten productnr. + serienr. worden vermeld.
 Obs! : Ved alle henvendelse vedr. enheder til Vestfrost, oplyses produkt nr og serienr.

Typeskilt
 Rating plate
 Typenschild
 Plaque signalétique
 Placededatos
 Typeplaatje

