

SPARES DIAGRAMS AND STOCK CODES

PREMIUM RANGE

DC SERIES FROM 2007



DC1000
DC1000-A
DC1000-WP
DC1000-A,WP

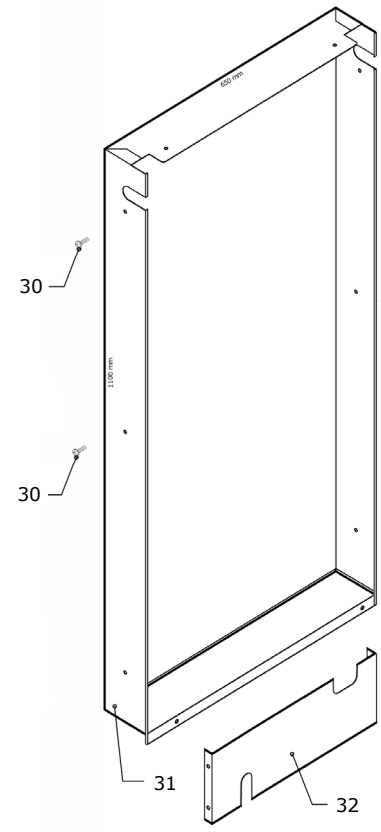
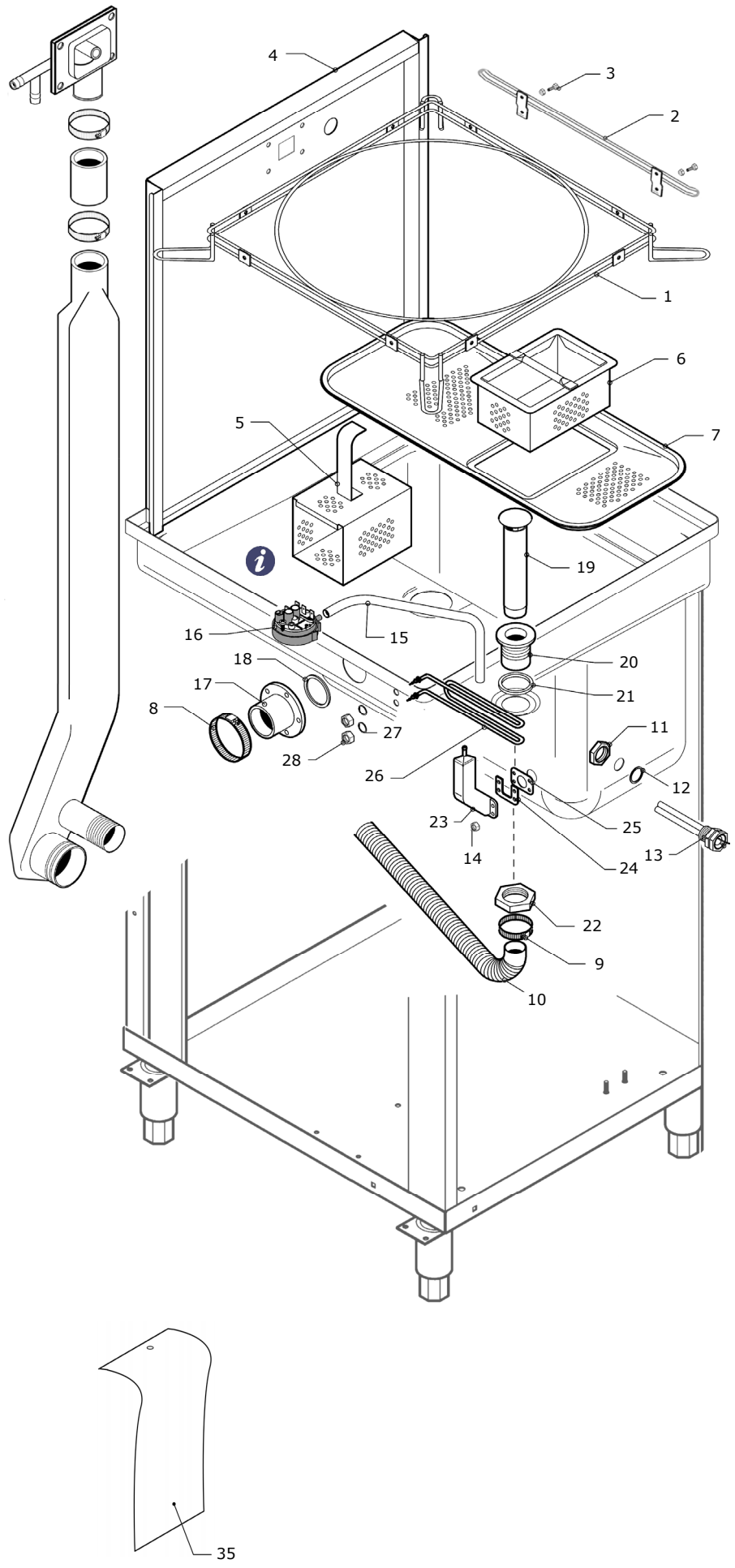
N100 / N100B

A - Floor to loading height +/- leg	860mm		Total loading	6900 watts
B - Open load height	435mm		Boiler element	6kw
C - Machine height open	1960mm		Wash tank element	3kw
D - Machine height closed	1500mm		Wash pump motor	0.75kw
E - Leg height - Max	190mm		Power supply-240v	30amp
E - Leg height - Min	120mm		Power supply 3 x 14amp	3 phase 415V
F - Machine width	650mm		Rinse boiler temp	0-90°C
G - Machine width + handle	745mm		Wash tank temp-fixed	55°C
H - Machine depth	770mm		Water consumption/cycle	3ltr
I - Machine depth + handle	815mm		Waste outlet hose Ø	32mm / 18.5mm
J - Waste height	410mm		Basket size	500x500mm
Pass-through operation - Bi directional	Yes			
Corner operation	Yes			
W.R.A.S - Category	5			
Earth bonding required	Yes			

Further measurement details see page 218A

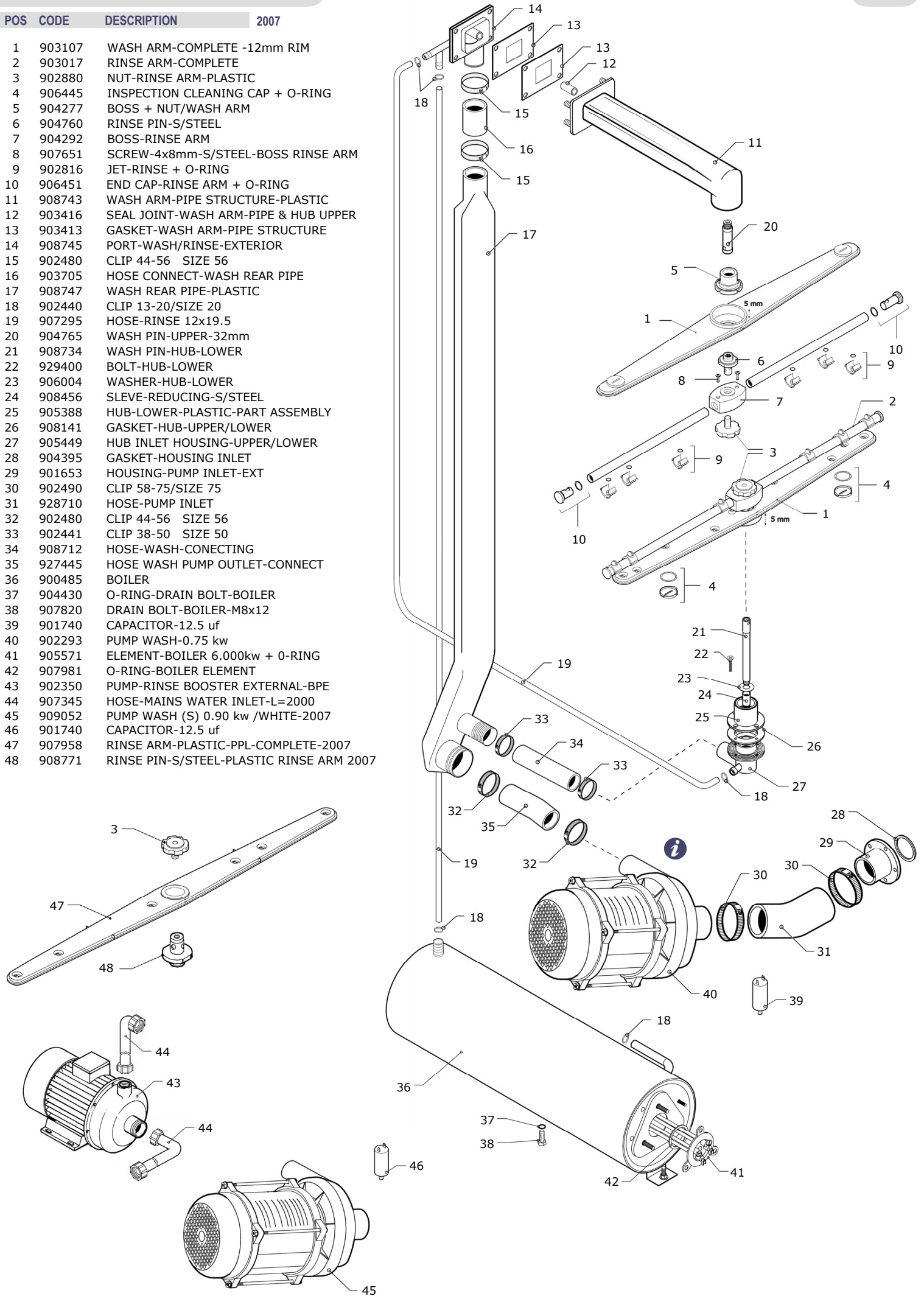
POS CODE DESCRIPTION 2007

- 1 908708 TRACK FOR BASKET-NESTING-ROUND
- 2 927098 GUARD-BASKET TRACK
- 3 927099 BOLT+NUT-GUARD-BASKET TRACK
- 4 908507 REAR FRAME WORK
- 5 906706 FILTER-SLIDE BOX
- 6 906704 FILTER CONTAINER-SCRAPS
- 7 906703 FILTER SURFACE + HOLE FOR CONTAINER
- 8 902490 CLIP 58-75/SIZE 75
- 9 902460 CLIP 26-38/SIZE 38
- 10 907451 HOSE-WASTE D=32.0
- 11 902061 NUT-PROBE 1/2"
- 12 903250 GASKET-PROBE 1/2"
- 13 TR0298 PROBE-HOUSING-DOUBLE-THERMOSTAT
- 14 901991 NUT-M4/LOCK NUT
- 15 907279 TUBE-CLEAR-SILICON
- 16 905281 PRESSURE SWITCH-90/32
- 17 901653 HOUSING-PUMP INLET-EXT
- 18 904395 GASKET-HOUSING INLET
- 19 907337 DRAIN PLUG H=220mm
- 20 905450 HOUSING-DRAIN PLUG 1 1/4"
- 21 904380 GASKET-HOUSING INLET
- 22 902080 NUT-HOUSING-PUMP INLET
- 23 907254 AIR TRAP H=145 EXTERIOR
- 24 907926 PLATE-FIXING-AIR TRAP-EXTERIOR
- 25 903261 GASKET-AIR TRAP-EXTERIOR
- 26 905748 ELEMENT-WASH TANK 3.000 kw+0-RINGS
- 27 904391 O-RING-WASH TANK ELEMENT
- 28 923393 NUT-BRASS-ELEMENT FIXING
- 30 907862 SCREW BOLT-PANEL FIXING
- 31 908656 PANEL-REAR L=1100
- 32 908670 PANEL-REAR-LOWER-SERVICE OUTLET
- 33 907345 HOSE-MAINS WATER INLET-L=2000
- 34 902350 PUMP-RINSE BOOSTER EXTERNAL-BPE
- 35 929423 COVER ELECTRICAL PROTECTION-RUBBER



POS CODE DESCRIPTION 2007

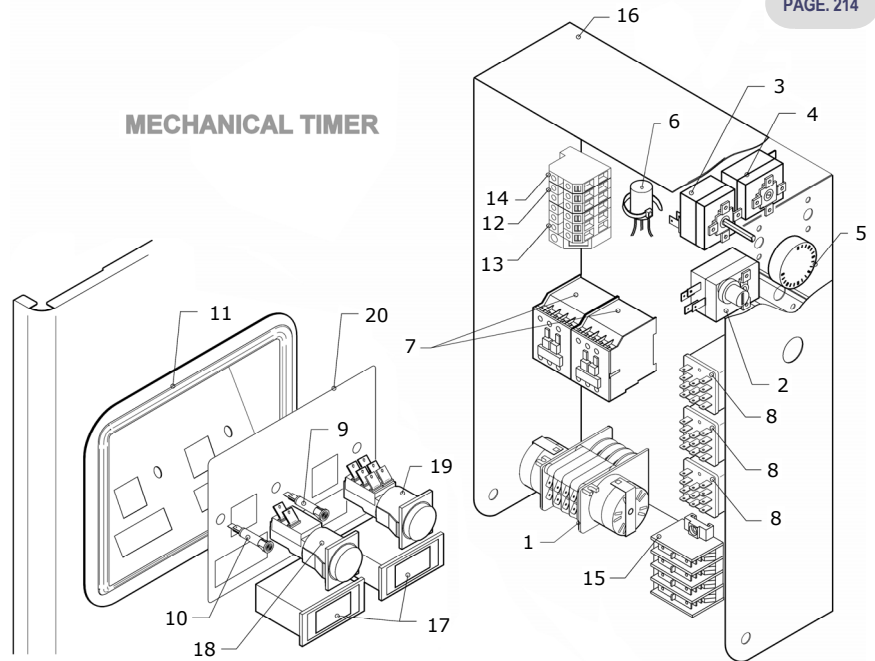
- 1 903107 WASH ARM-COMPLETE -12mm RIM
- 2 903017 RINSE ARM-COMPLETE
- 3 902880 NUT-RINSE ARM-PLASTIC
- 4 906445 INSPECTION CLEANING CAP + O-RING
- 5 904277 BOSS + NUT/WASH ARM
- 6 904760 RINSE PIN-S/STEEL
- 7 904292 BOSS-RINSE ARM
- 8 907651 SCREW-4x8mm-S/STEEL-BOSS RINSE ARM
- 9 902816 JET-RINSE + O-RING
- 10 906451 END CAP-RINSE ARM + O-RING
- 11 908743 WASH ARM-PIPE STRUCTURE-PLASTIC
- 12 903416 SEAL JOINT-WASH ARM-PIPE & HUB UPPER
- 13 903413 GASKET-WASH ARM-PIPE STRUCTURE
- 14 908745 PORT-WASH/RINSE-EXTERIOR
- 15 902480 CLIP 44-56 SIZE 56
- 16 903705 HOSE CONNECT-WASH REAR PIPE
- 17 908747 WASH REAR PIPE-PLASTIC
- 18 902440 CLIP 13-20/SIZE 20
- 19 907295 HOSE-RINSE 12x19,5
- 20 904765 WASH PIN-UPPER-32mm
- 21 908734 WASH PIN-HUB-LOWER
- 22 929400 BOLT-HUB-LOWER
- 23 906004 WASHER-HUB-LOWER
- 24 908456 SLEEVE-REDUCING-S/STEEL
- 25 905388 HUB-LOWER-PLASTIC-PART ASSEMBLY
- 26 908141 GASKET-HUB-UPPER/LOWER
- 27 905449 HUB INLET HOUSING-UPPER/LOWER
- 28 904395 GASKET-HOUSING INLET
- 29 901653 HOUSING-PUMP INLET-EXT
- 30 902490 CLIP 58-75/SIZE 75
- 31 928710 HOSE-PUMP INLET
- 32 902480 CLIP 44-56 SIZE 56
- 33 902441 CLIP 38-50 SIZE 50
- 34 908712 HOSE-WASH-CONNECTING
- 35 927445 HOSE WASH PUMP OUTLET-CONNECT
- 36 900485 BOILER
- 37 904430 O-RING-DRAIN BOLT-BOILER
- 38 907820 DRAIN BOLT-BOILER-M8x12
- 39 901740 CAPACITOR-12.5 uf
- 40 902293 PUMP WASH-0.75 kw
- 41 905571 ELEMENT-BOILER 6.000kw + O-RING
- 42 907981 O-RING-BOILER ELEMENT
- 43 902350 PUMP-RINSE BOOSTER EXTERNAL-BPE
- 44 907345 HOSE-MAINS WATER INLET-L=2000
- 45 909052 PUMP WASH (S) 0.90 kw /WHITE-2007
- 46 901740 CAPACITOR-12.5 uf
- 47 907958 RINSE ARM-PLASTIC-PPL-COMPLETE-2007
- 48 908771 RINSE PIN-S/STEEL-PLASTIC RINSE ARM 2007



POS	CODE	DESCRIPTION	2007
-----	------	-------------	------

1	907182	TIMER UNIT-2 + 3 MINUTE	
2	907125	THERMOSTAT-SAFETY 90-110c	
3	907110	THERMOSTAT-BOILER-COPPER PROBE 0-90c	
4	907120	THERMOSTAT-WASH TANK COPPER PROBE 60c	
5	903982	DIAL CONTROL-THERMOSTAT	
6	902105	NOISE FILTER-SUPPRESSOR	
7	907045	CONTACTOR 9a /250 v	
8	905479	RELAY 11-PIN	
9	903629	LAMP-AMBER	
10	903632	LAMP-GREEN	
11	908657	PANEL-CONTROL INSERT-S/STEEL	
12	TR0319	TERMINAL BLOCK-MAINS CLIP ON-1 PIN	
13	TR3178	TERMINAL BLOCK-MAINS CLIP ON-3 PIN	
14	904163	TERMINAL BLOCK-EARTH CLIP ON-1 PIN	
15	955068	TERMINAL REDIRECT-INTERNAL	
16	908752	CABINET-ELECTRICAL-S/STEEL-2006	
17	907090	THERMOMETER DISPLAY	
18	905325	SWITCH-ON/OFF-2 PIN-BLUE	
18	905334	SWITCH-ON/OFF-3 PIN-WP-BLUE	
19	905329	SWITCH-TIME SELECT-6 PIN-BLUE	
20	907064	PANEL-FACIA/GRAFIX-DC BLUE	

MECHANICAL TIMER



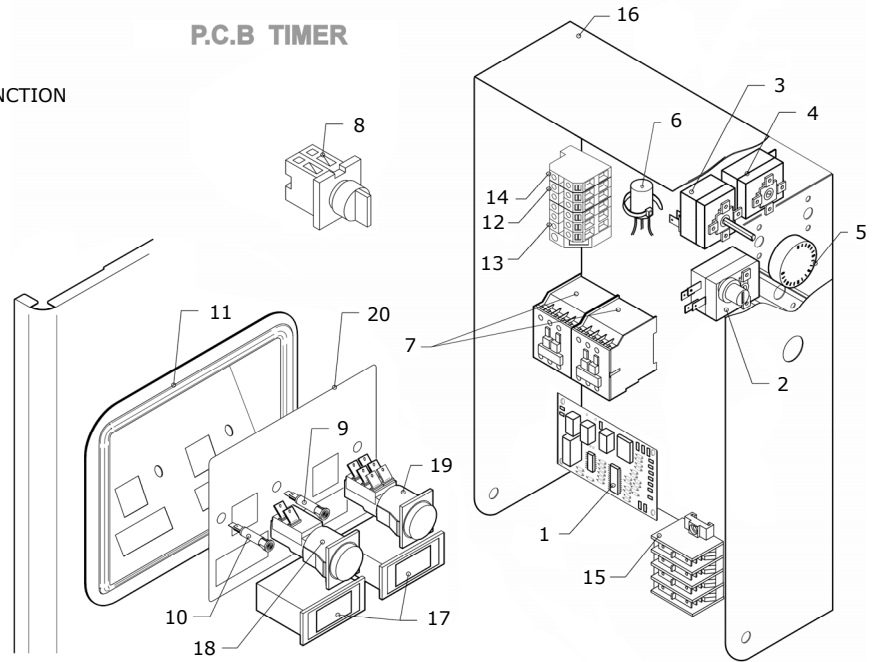
DC1000

FIG. 6

POS	CODE	DESCRIPTION	2007
-----	------	-------------	------

1	907177	TIMER ELECTRONIC & RELAY BOARD -1,2,3 FUNCTION	
2	907125	THERMOSTAT-SAFETY 90-110c	
3	907110	THERMOSTAT-BOILER-COPPER PROBE 0-90c	
4	907120	THERMOSTAT-WASH TANK COPPER PROBE 60c	
5	903982	DIAL CONTROL-THERMOSTAT	
6	902105	NOISE FILTER-SUPPRESSOR	
7	907045	CONTACTOR 9a /250 v	
8	906210	SWITCH-DIAL-PANEL-COMPLETE 1`2`3 MINS	
9	903629	LAMP-AMBER	
10	903632	LAMP-GREEN	
11	908657	PANEL-CONTROL INSERT-S/STEEL	
12	TR0319	TERMINAL BLOCK-MAINS CLIP ON-1 PIN	
13	TR3178	TERMINAL BLOCK-MAINS CLIP ON-3 PIN	
14	904163	TERMINAL BLOCK-EARTH CLIP ON-1 PIN	
15	955068	TERMINAL REDIRECT-INTERNAL	
16	908752	CABINET-ELECTRICAL-S/STEEL-2006	
17	907090	THERMOMETER DISPLAY	
18	905325	SWITCH-ON/OFF-2 PIN-BLUE	
18	905334	SWITCH-ON/OFF-3 PIN-WP-BLUE	
19	905329	SWITCH-TIME SELECT-6 PIN-BLUE	
20	907064	PANEL-FACIA/GRAFIX-DC BLUE	

P.C.B TIMER

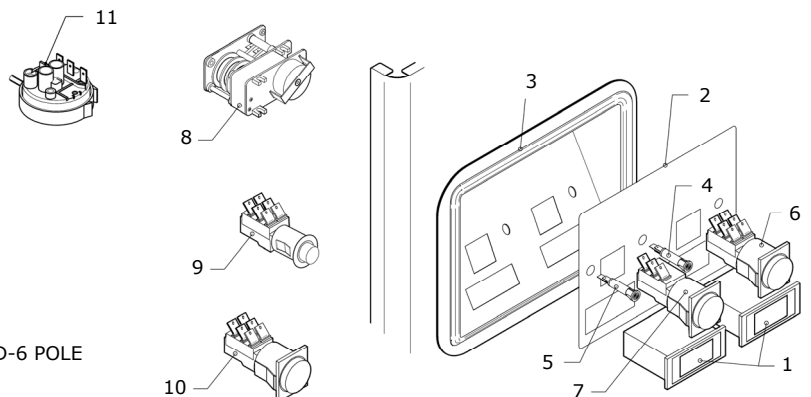


DC1000-A,WP

FIG. 7

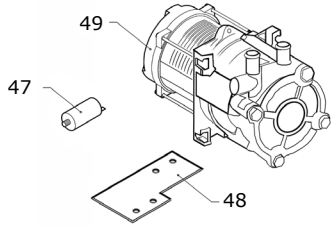
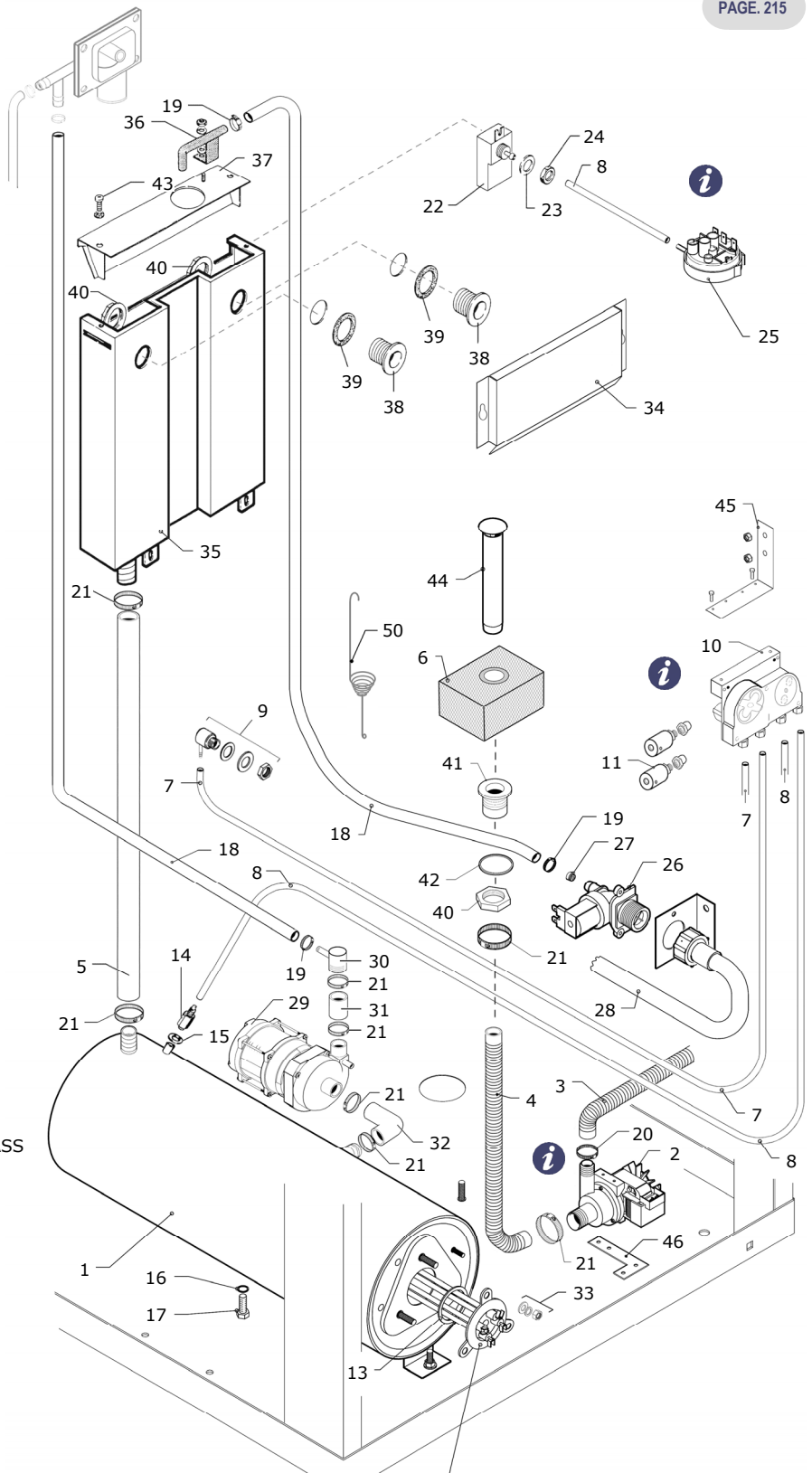
POS	CODE	DESCRIPTION	2007
-----	------	-------------	------

1	907090	THERMOMETER DISPLAY	
2	907064	PANEL-FACIA/GRAFIX-DC BLUE	
3	908657	PANEL-CONTROL INSERT-S/STEEL	
4	903629	LAMP-AMBER	
5	903632	LAMP-GREEN	
6	905329	SWITCH-TIME SELECT-6 PIN-BLUE	
7	905334	SWITCH-ON/OFF-3 PIN-WP-BLUE	
8	907180	TIMER UNIT 3 MINUTE/AUTOMATIC WASTE TIMER	
9	925342	SWITCH-WASTE PUMP-YELLOW MICRO-NON LATCHED-6 POLE	
10	925341	SWITCH-WASTE PUMP-BLUE-NON LATCHED-6 PIN	
11	905270	PRESSURE SWITCH-40/20-BREAK TANK	



POS CODE DESCRIPTION 2007

1	900494	BOILER-TYPE "A"
2	902346	PUMP-WASTE-ANTI AIR LOCK
3	907439	HOSE-WASTE D=18.5/L=2000
4	927441	HOSE-WASH TANK/WASTE PUMP
5	923675	HOSE-BREAK TANK HOSE TO BOILER
6	929416	FILTER BOX-DRAIN PLUG HOLE-WP
7	907274	TUBE-DETERGENT-RED
8	907279	TUBE-CLEAR-SILICON
9	902366	ELBOW-FITTING-DETERGENT
10	902045	PUMP RINSE AID/DETERGENT-PERISTALTIC
11	906621	WEIGHT/FILTER UNIT-COMBINED
12	905571	ELEMENT-BOILER 6.000 kw + O-RING
13	907981	O-RING-BOILER ELEMENT
14	909069	VALVE-NON RETURN-RINSE AID
15	920061	GASKET-FIBER-NRV
16	904430	O-RING-DRAIN BOLT-BOILER
17	907820	DRAIN BOLT-BOILER M-8 x 12
18	907295	HOSE-RINSE 12x19.5
19	902440	CLIP 13-20/SIZE 20
20	902454	CLIP 19-28/SIZE 28
21	902460	CLIP 26-38/SIZE 38
22	907252	AIR TRAP H=90-BREAK TANK
23	903260	GASKET-AIR TRAP 3/8"
24	902100	NUT 3/8"
25	905270	PRESSURE SWITCH-40/20-BREAK TANK
26	902390	SOLENOID VALVE-1 WAY
27	929459	RESTRICTOR VALVE -8LTR/MIN
28	907345	HOSE-MAINS WATER INLET-L=2000
29	902236	PUMP 0.21 kw-RINSE BOOSTER PUMP
30	901651	ELBOW-REDUCING-RBP S/STEEL
31	903714	HOSE-R.B.P-OUTLET
32	903713	HOSE-INLET-R.B.P RINSE BOOSTER PUMP
33	923392	NUT-SET/ELEMENT FIXING
34	929445	COVER-BREAK TANK-OUTLET-KEY FITTED
35	900006	BREAK TANK-TYPE "A"
36	900002	TAP-OUTLET-BREAK TANK
37	920001	COVER-BREAK TANK-TOP
38	TR1234	HOUSING OVERFLOW-BREAK TANK
39	903325	GASKET-HOUSING OVERFLOW-BREAK TANK
40	902080	NUT-HOUSING
41	905450	HOUSING-DRAIN PLUG 1 1/4"
42	904380	GASKET-HOUSING INLET
43	907862	SCREW BOLT-FIXING
44	907337	DRAIN PLUG H=220mm
45	927102	BRACKET-PERISTALTIC PUMP SUPPORT
46	906997	BRACKET-WASTE PUMP FIXING
47	901730	CAPACITOR-10 uf
48	906998	BRACKET-PUMP FIXING-LARGE
49	902352	BOOSTER PUMP-MAINS WATER-INTERNAL-BRASS
50	925545	FILTER-COIL SPRING PROTECTION OUTLET-L

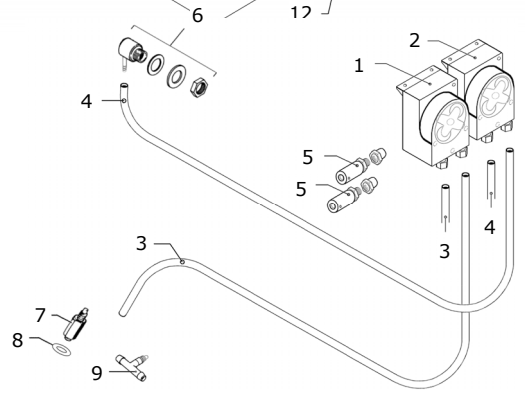


DC1000 SINGLE PERISTALTIC PUMPS

FIG. 9

POS CODE DESCRIPTION 2007

1	922344	PUMP RINSE AID-PERISTALTIC-G302-GREEN
2	922340	PUMP DETERGENT-PERISTALTIC-G300
3	907279	TUBE-CLEAR-SILICON
4	907274	TUBE-DETERGENT-RED
5	906621	WEIGHT/FILTER UNIT-COMBINED
6	902366	ELBOW-FITTING-DETERGENT
7	909069	VALVE-NON RETURN-RINSE AID
8	903400	GASKET-FIBER-NRV
9	908150	TEE-RINSE AID + NON RETURN VALVE

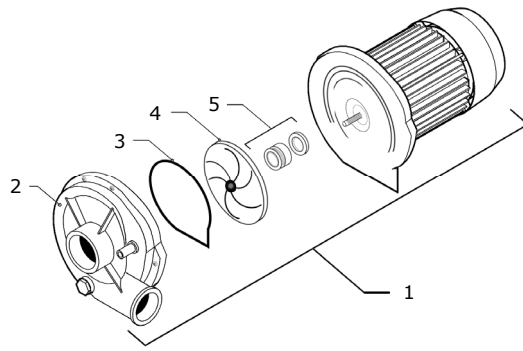


DC1000 WASH PUMP-PARTS



POS CODE DESCRIPTION 2007

1	902293	PUMP WASH-0.75 kw
2	902293A	IMPELLOR HOUSING
3	902293B	SEAL-IMPELLOR HOUSING
4	902293C	IMPELLOR
5	902293D	SEAL-INNER SHAFT

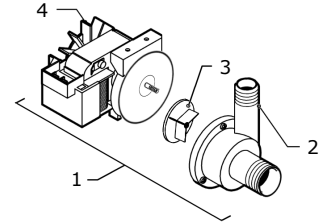


DC1000 WASTE PUMP-PARTS



POS CODE DESCRIPTION 2007

1	902346	PUMP-WASTE-ANTI AIR LOCK-BLACK
2	922338	IMPELLOR HOUSING-WASTE PUMP-TOP EXIT
3	922337	IMPELLOR-WASTE PUMP
4	920031	FAN-WASTE PUMP



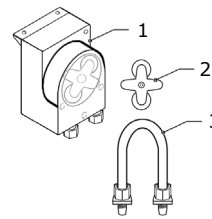
DC1000 SINGLE PERISTALTIC PUMP-PARTS



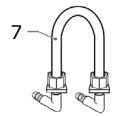
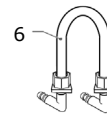
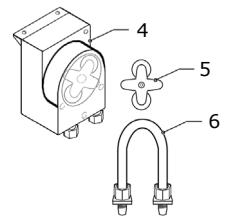
POS CODE DESCRIPTION 2007

1	922344	PUMP RINSE AID-PERISTALTIC-G302 / GREEN
2	920091	ROTOR-PUMP-RINSE AID-GERMAC-G302
3	908323	PERISTALTIC TUBE RINSE AID-GERMAC-G302
4	922340	PUMP DETERGENT-PERISTALTIC-G300 / GREEN
5	920090	ROTOR-PUMP-DETERGENT-GERMAC-G300
6	907287	PERISTALTIC TUBE-PUMP DETERGENT-GERMAC-G300

PUMP RINSE AID



PUMP DETERGENT



RINSE AID REAR FACING TAG TIED FITTING

DETERGENT REAR FACING TAG TIED FITTING

DC1000 SINGLE PERISTALTIC PUMP-PARTS



POS CODE DESCRIPTION 2007

6	928323	PERISTALTIC TUBE RINSE AID-REAR FACING-GERMAC-G302E
7	927287	PERISTALTIC TUBE-PUMP DETERGENT-REAR FACING-GERMAC-G300E

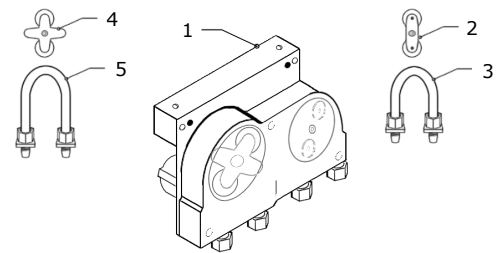
DC1000 DUEL PERISTALTIC PUMP-PARTS



POS CODE DESCRIPTION 2007

1	902045	PUMP RINSE AID/DETERGENT-DUEL PERISTALTIC-G650 / BLACK
2	907289	ROTOR-PUMP-RINSE AID-GERMAC-DUEL-G650
3	908328	PERISTALTIC TUBE RINSE AID-GERMAC-DUEL-G650
4	920090	ROTOR-PUMP-DETERGENT-GERMAC-G650
5	908329	PERISTALTIC TUBE-DETERGENT-GERMAC-G650

PUMP RINSE AID & DETERGENT DUEL



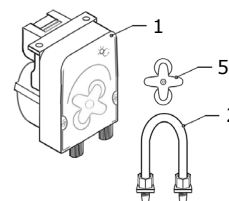
DC1000 SINGLE PERISTALTIC PUMP-PARTS



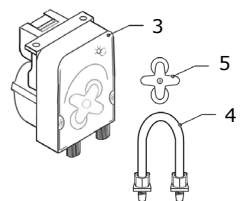
POS CODE DESCRIPTION 2007

1	902344	PUMP RINSE AID-PERISTALTIC-SEKO
2	907277	PERISTALTIC TUBE-PUMP-RINSE AID-SEKO
3	902340	PUMP DETERGENT-PERISTALTIC-SEKO
4	907276	PERISTALTIC TUBE-PUMP-DETERGENT-SEKO
5	907281	ROTOR-SEKO RINSE AID & DETERGENT PUMP

RINSE AID PUMP-PERISTALTIC SEKO



DETERGENT PUMP-PERISTALTIC SEKO

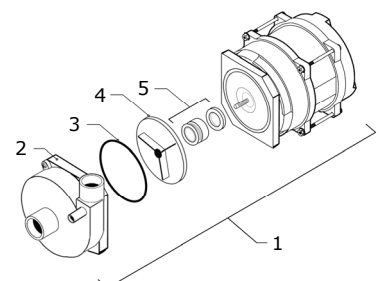


DC1000 RINSE BOOSTER PUMP-PARTS



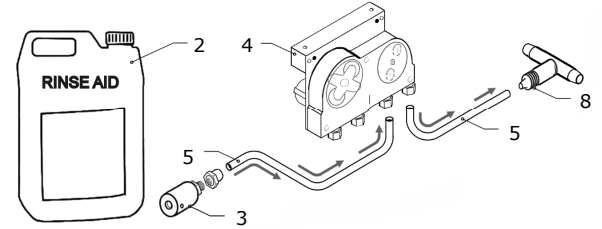
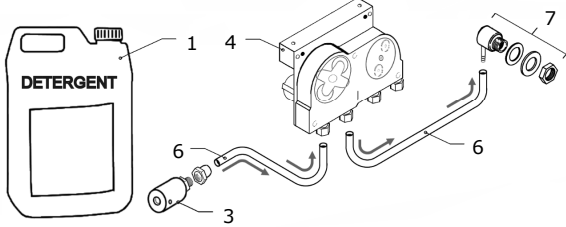
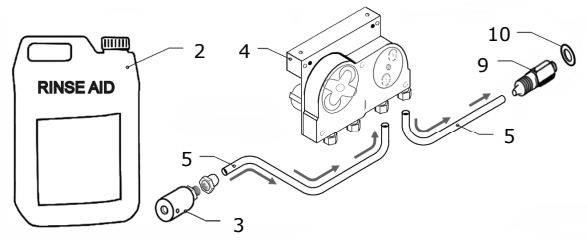
POS CODE DESCRIPTION 2007

1	902235	RINSE BOOSTER PUMP-BLUE HEAD-020 kw
2	902235A	IMPELLOR HOUSING
3	902235B	SEAL-IMPELLOR HOUSING
4	902235C	IMPELLOR
5	902235D	SEAL-INNER SHAFT



POS CODE DESCRIPTION

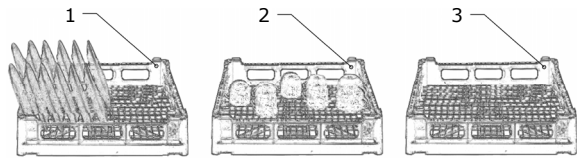
1	D1011	DETERGENT-DC SERIES 5LTR
2	D1008	RINSE AID-DC SERIES 5LTR
3	906621	WEIGHT/FILTER UNIT-NRV-COMBINED
4	902045	PUMP RINSE AID/DETERGENT-DUEL-G650
5	907279	TUBE-CLEAR-SILICON
6	907274	TUBE-DETERGENT-RED
7	902366	ELBOW-FITTING-DETERGENT
8	908150	TEE-RINSE AID-NON RETURN VALVE
9	920060	VALVE-NON RETURN-RINSE AID
10	920061	GASKET-FIBER-VALVE-NON RETURN



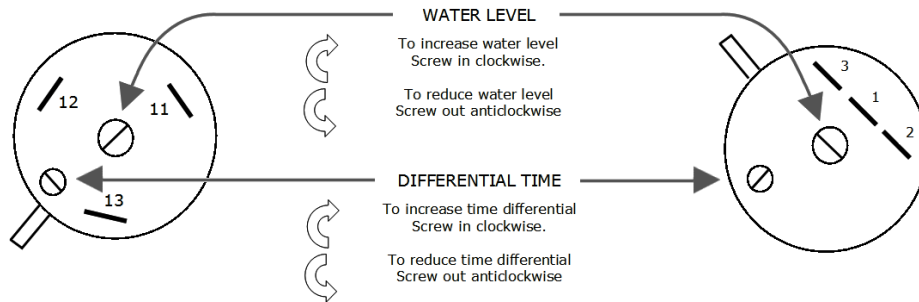
DC1000 BASKETS

POS CODE DESCRIPTION

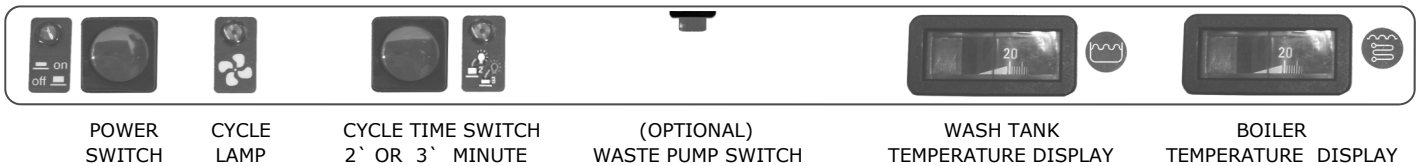
1	901500	BASKET-DISH-PLASTIC-500x500x100
2	901510	BASKET-CUP-PLASTIC-500x500x100
3	901511	BASKET-CUTLERY-PLASTIC-500x500



DC1000 PRESSURE SWITCH ADJUSTMENT

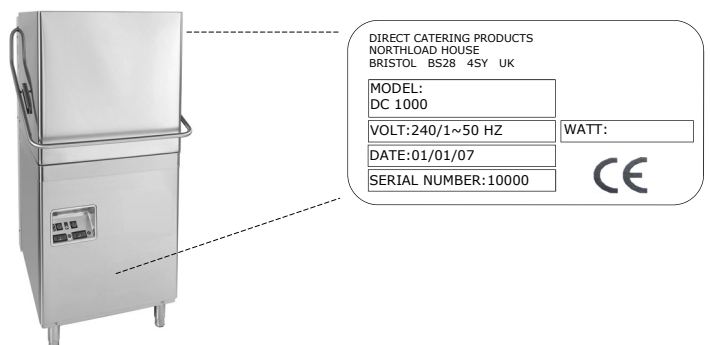


DC1000 CONTROL PANEL LAYOUT

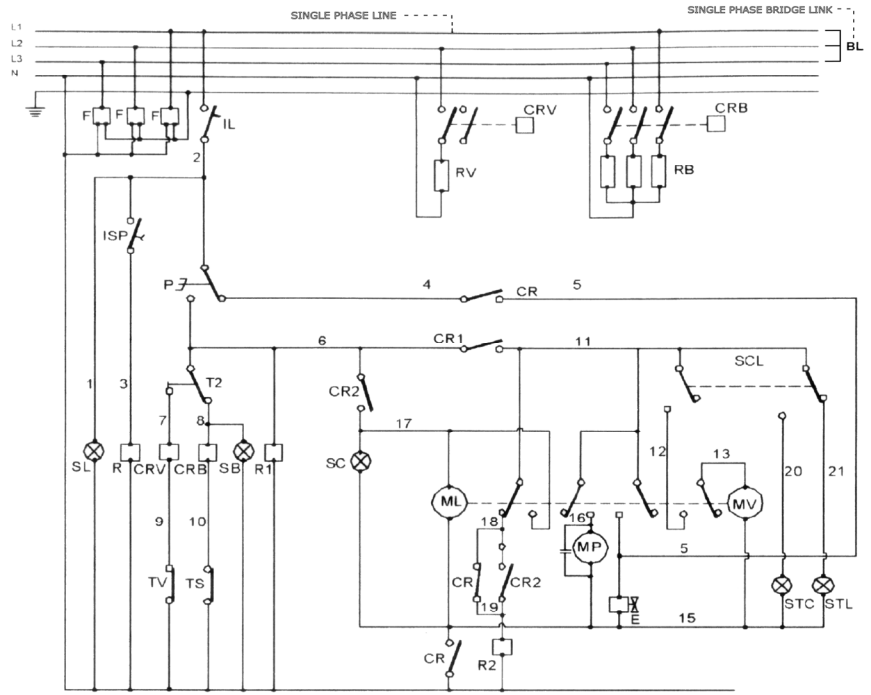


DC1000 MACHINE IDENTIFICATION

Model & Serial numbers, Power ratings & Manufactures date can be found on the identification plate located on the right side panel & inside the lower front panel.



- CRB CONTROL SWITCH CONTACT
- CR / CR4 RELAY-AUXILIARYS CONTACT
- CRV WASH TANK CONTACTOR COIL
- E SOLENOID VALVE
- F NOISE FILTER
- IL ON/OFF SWITCH
- ISP DOOR SAFTY REED SWITCH
- ML TIMER MOTOR-2 MINS
- MV TIMER MOTOR-3 MINS
- P PRESSURE SWITCH WASH TANK
- MP WASH PUMP MOTOR
- R DOOR RELAY
- R1-R2 RELAY CONTACTS
- RB BOILER ELEMENT
- RV WASH TANK ELEMENT
- SB BOILER LAMP
- SC CYCLE LAMP
- SCL WASH CYCLE SELECTOR SWITCH
- SL ON/OFF LAMP
- STC 2 MINS CYCLE LAMP
- STL 3 MINS CYCLE LAMP/OPTIONAL
- T1 THERMOSTAT-WASH TANK
- T2 THERMOSTAT-BOILER
- TS THERMOSTAT-SAFTY-OVERLOAD



PIN	FUNCTION			907174	907175	907177
P1	DOOR REED SWITCH	PERMANENT INPUT	230V/240V 50-60HZ	X	X	X
P7	POWER ON / DOOR REED SWITCH	PERMANENT INPUT	230V/240V 50-60HZP	X	X	
P10	PRESSURE SWITCH	PERMANENT INPUT	230V/240V 50-60HZ	X	X	X
P11	POWER SUPPLY		230V/240V 50-60HZ	X	X	X
P12	POWER SUPPLY		230V/240V 50-60HZ	X	X	X
P13	WASTE PUMP	RELAY 4 / 10 AMPS	230V/240V 50-60HZ 100W	X	X	X
P14	SOLINOID AND PERISTALTICS	RELAY 2 / 10 AMPS	230V/240V 50-60HZ 5W	X	X	X
P15	REGENERATION SOLONOID	RELAY 3 / 10 AMPS	230V/240V 50-60HZ 5W	X		
P15	RINSE BOOSTER PUMP	RELAY 2 / 10 AMPS	230V/240V 50-60HZ 200W	X		X
P16	WASH PUMP	RELAY 1 / 10 AMPS	230V/240V 50-60HZ 1 HP	X	X	X
P17	REGENERATION LAMP	TC1	230V/240V 50-60HZ 0.5W	X		
P18	WASHING CYCLE LAMP	TC2	230V/240V 50-60HZ 0.5W	X	X	X
P20	INPUT WASH CYCLE	60 SEC 0.5 SEC INPUT	230V/240V 50-60HZ	X	X	X
P21	INPUT WASH CYCLE	75 SEC 0.5 SEC INPUT	230V/240V 50-60HZP	X		X
P22	INPUT WASH CYCLE	90 SEC 0.5 SEC INPUT	230V/240V 50-60HZ	X		
P23	INPUT WASH CYCLE	120 SEC 0.5 SEC INPUT	230V/240V 50-60HZ	X	X	X
P24	INPUT WASH CYCLE	150 SEC 0.5 SEC INPUT	230V/240V 50-60HZ	X		
P25	INPUT WASH CYCLE	180 SEC 0.5 SEC INPUT	230V/240V 50-60HZ	X	X	X
P26	INPUT REGENERATION CYCLE	1 SEC INPUT	230V/240V 50-60HZ	X		

P.C.B TIMER

ID & CODE

