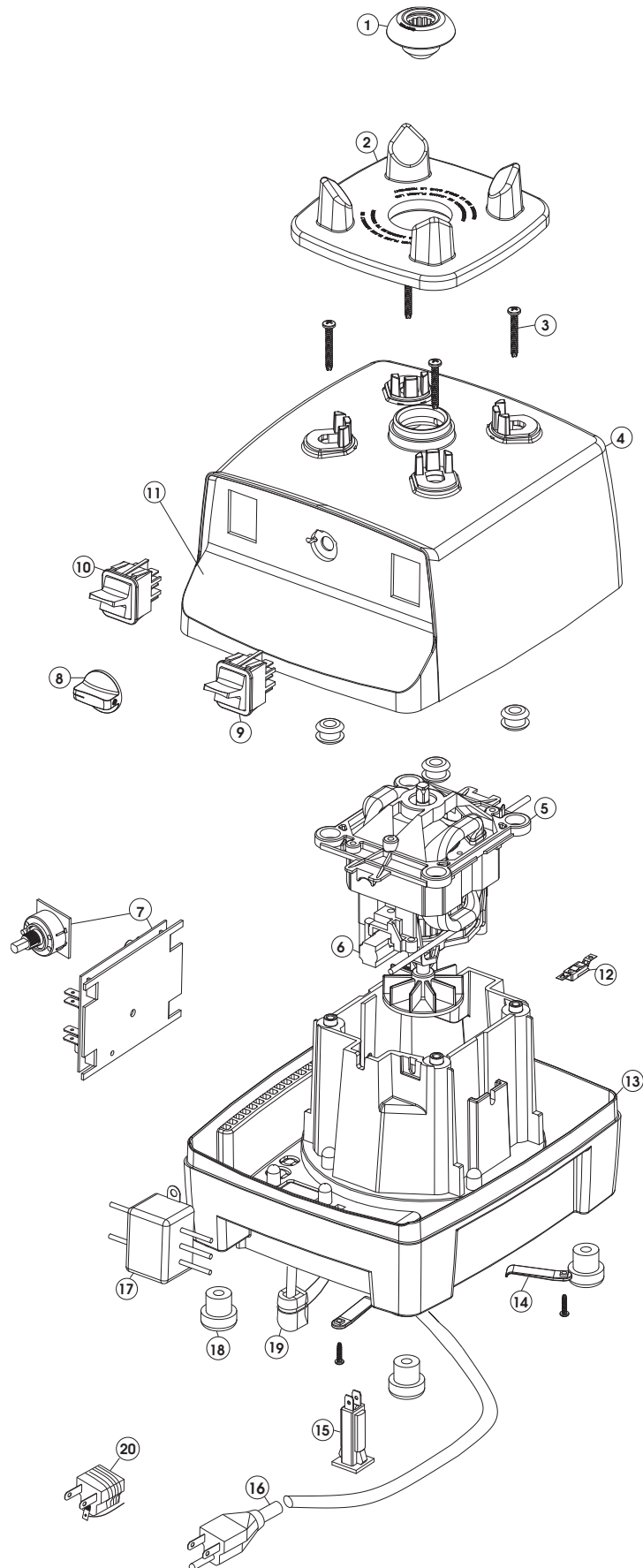


Vita-Prep® 3, Vita-Prep®, & Vita-Pro®



Vita-Prep® 3, Vita-Prep®, & Vita-Pro® Parts List – 100V (Japan), 120V, 120V (Taiwan), 120V EMC (Taiwan), 220/240V

NO.	NEW PART NO.	OLD PART NO.	DESCRIPTION	VOLTAGE	QTY./PACK
1	891	891	Drive Socket Assembly	All	1
1	15546	15546	Drive Socket Assembly (Set of 2)	All	2
1	15547	15547	Drive Socket Assembly (Set of 5)	All	5
2	791	791	Centering Pad	All	1
3	15726	FST102	Upper Shell Retainer Screws (4)	All	4
4	15757	PLS107	Upper Base Shell - Grey	All	1
4	15728	PLS111	Upper Base Shell - Black	All	1
5	15711	ASY216	Vita-Prep 3 Motor Assembly	220/240V	1
5	15710	ASY209	Vita-Prep 3 Motor Assembly	100/120V	1
5	15674	ASY154	Variable Speed Motor Assembly	220/240V	1
5	15676	ASY143	Variable Speed Motor Assembly*	220/240V	1
5	15670	ASY131	Variable Speed Motor Assembly	100/120/120V EMC	1
6	764	764	Brush Replacement Kit	All	2
7	15763	CTL111	Speed Control Circuit Board & Rotary Switch	220/240V	1
7	15762	CTL103	Speed Control Circuit Board & Rotary Switch	100/120/120V EMC	1
8	15732	PLS207	Control Knob	All	1
9	15758	CTL104	On/Off Switch	All	1
10	15764	CTL105	High/Low Switch - Variable	All	1
11	LBL543	LBL543	Vita-Prep 3 Label	All	1
11	LBL219	LBL219	Vita-Prep Label	All	1
11	LBL119	LBL119	Vita-Pro Label	All	1
12	824	824	Thermal Protector Kit	100/120/120V EMC	1
NOT SHOWN	15515	15515	Thermal Switch Assembly Kit*	220/240V	1
13	15760	ASY101	Base Frame Assembly	All	1
14	793	793	Cord Retainer Clip & Screw	All	4
NOT SHOWN	15759	CTL109	Power Resistor*	220/240V	1
NOT SHOWN	15761	CTL112	Circuit Breaker*	220/240V	1
15	15735	CTL151	Circuit Breaker	220/240V	1
16	By Country	By Country	Power Cord	220/240V	1
16	15756	WIR100	Power Cord	120V	1
16	15737	PLG117	Power Cord	100V	1
16	15738	PLG133	Power Cord	120V EMC	1
17	15739	CTL509	EMI Filter	220/240V	1
17	15740	CTL131	EMI Filter	100V	1
17	15741	CTL515	EMI Filter	120V EMC	1
18	794	794	Rubber Feet (4)	All	4
19	15742	FST815	Power Cord Strain Relief	220/240V	1
19	15743	CON800	Power Cord Strain Relief	100/120/120V EMC	1
20	15745	CTL125	Japanese Adapter	100V	1
NOT SHOWN	15748	n/a	Base Frame Channel (3)	All	3

*Machines before Serial No. 000768A059210356