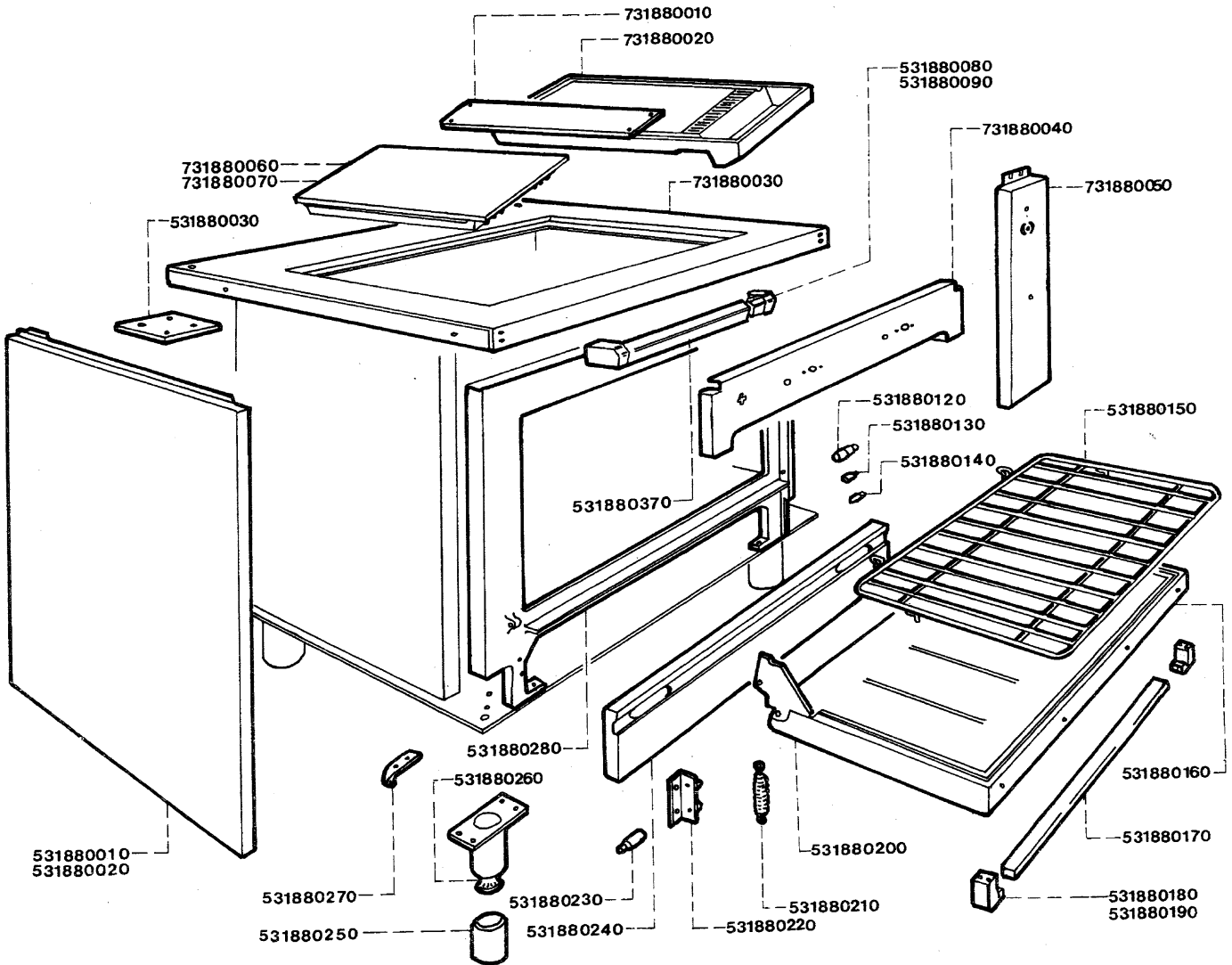


E1006 CHIEFTAIN SERIES

1/2 FRY PLATE

FITMENTS



Code No.	Description
12E 531880010	Outer Side Panel—L.H.
1F 531880020	Outer Side Panel—R.H.
6B 531880030	Tie Plate
5B 531880080	Guard Rail Bracket—L.H.
5B 531880090	Guard Rail Bracket—R.H.
10A 531880120	Hinge Pin (Long)
10A 531880130	Panel Pin
10A 531880140	Locating Pin
6E 531880150	Grid Shelf
8M 531880160	Door Assembly
8E 531880170	Door Handle Tube
5B 531880180	Door Handle Bracket—L.H.
5B 531880190	Door Handle Bracket—R.H.
12E 531880200	Outer Door Panel
10B 531880210	Door Spring

Code No.	Description
6B 531880220	Pivot Support Bracket
10A 531880230	Hinge Pin (Short)
4F 531880240	Bottom Door Panel
12B 531880250	Leg Cover
9C 531880260	Adjustable Foot
5B 531880270	Spring Adjuster
6L 531880280	Front Frame
1D 531880370	Guard Rail Tube
9D 731880010	Hob Filling
1K 731880020	Fryplate
9L 731880030	Hob Surround
2F 731880040	Top Front Panel—1/2 Fry Plate
4F 731880050	Corner Post
9L 731880060	Hot Plate complete—240v
6G 731880070	Hot Plate Casting only

Sheet Reference Number

E1006/1085/001

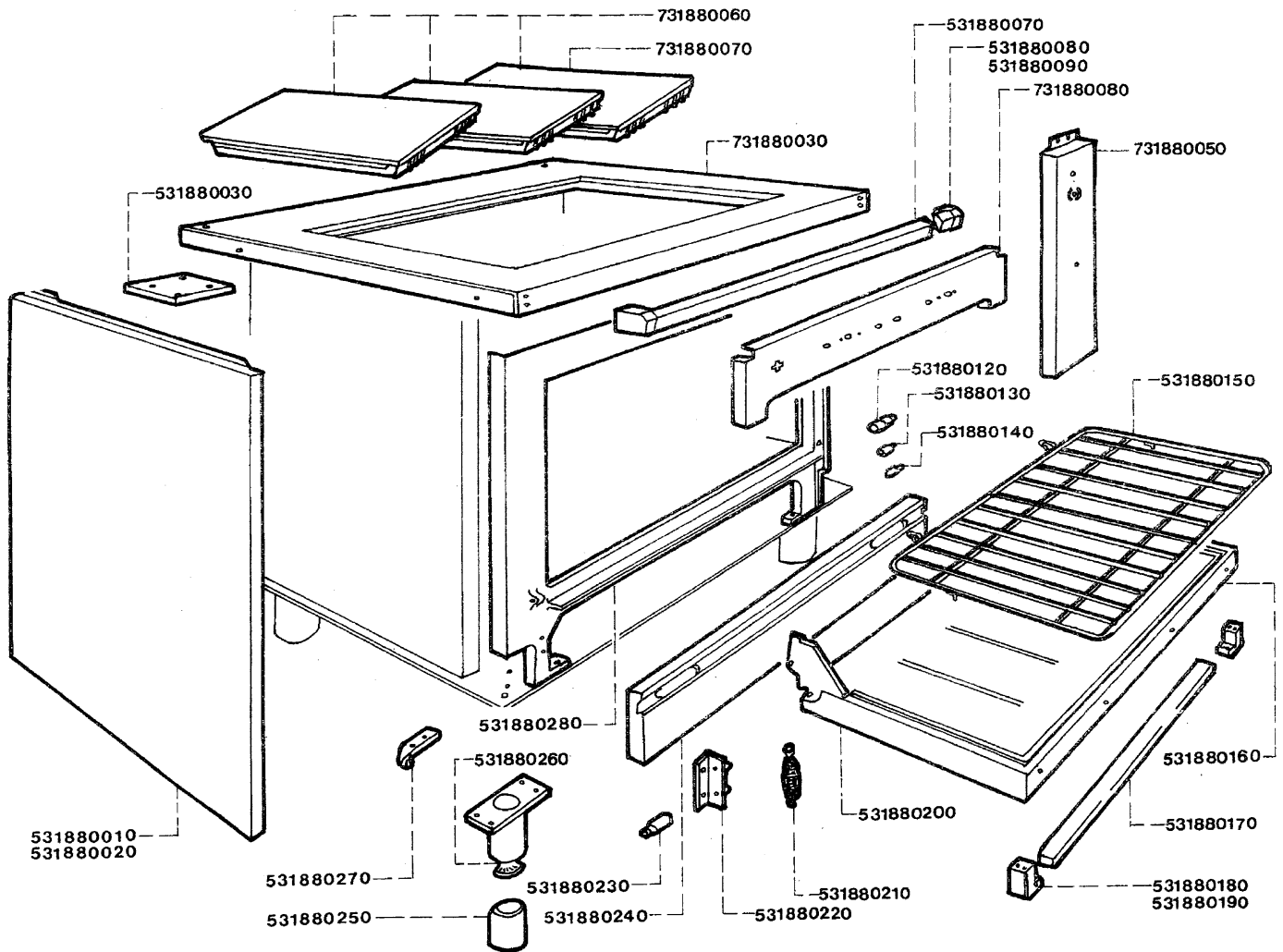
**Falcon Catering
Equipment**
Commercial and institutional
catering equipment



Falcon Catering Equipment is a
business name of
Glynwed Consumer & Building Products Ltd
a member of the
Glynwed International plc
group of companies

E1006 CHIEFTAIN SERIES

3 HOT PLATE FITMENTS



Code No.	Description
12E 531880010	Outer Side Panel—L.H.
1F 531880020	Outer Side Panel—R.H.
6B 531880030	Tie Plate
11E 531880070	Guard Rail—Long
5B 531880080	Guard Rail Bracket—L.H.
5B 531880090	Guard Rail Bracket—R.H.
10A 531880120	Hinge Pin (Long)
10A 531880130	Panel Pin
10A 531880140	Locating Pin
6E 531880150	Shelf
8M 531880160	Door Assy.
8E 531880170	Door Handle
5B 531880180	Door Handle Bracket—L.H.
5B 531880190	Door Handle Bracket—R.H.

Code No.	Description
12E 531880200	Outer Door Panel
10B 531880210	Door Spring
6B 531880220	Pivot Support Bracket
10A 531880230	Hinge Pin (Short)
4F 531880240	Bottom Door Panel
12B 531880250	Leg Cover
9C 531880260	Adjustable Foot
5B 531880270	Spring Adjuster
6L 531880280	Front Frame
9L 731880030	Hob Surround
4F 731880050	Corner Post
9L 731880060	Hotplate Complete
4G 731880070	Hotplate Casting Only
2F 731880080	Top Front Panel

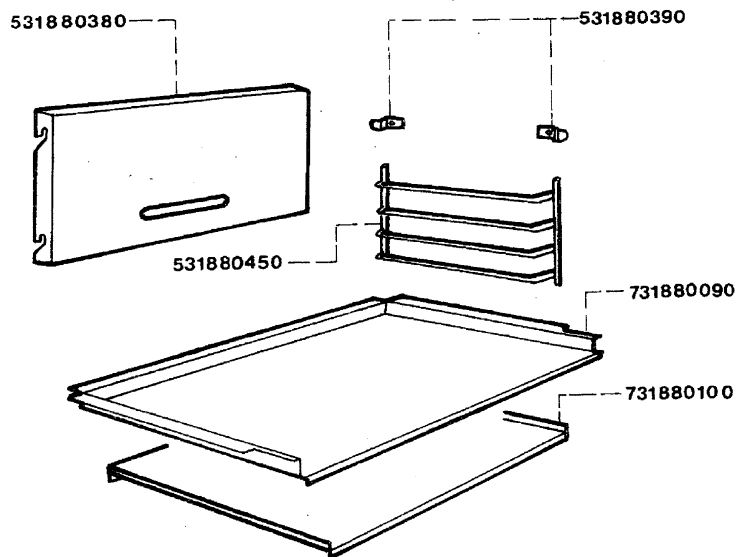
Sheet Reference Number

E1006/1085/002

**Falcon Catering
Equipment**
Commercial and institutional
catering equipment



Falcon Catering Equipment is a
business name of
Glynwed Consumer & Building Products Ltd
a member of the
Glynwed International plc
group of companies

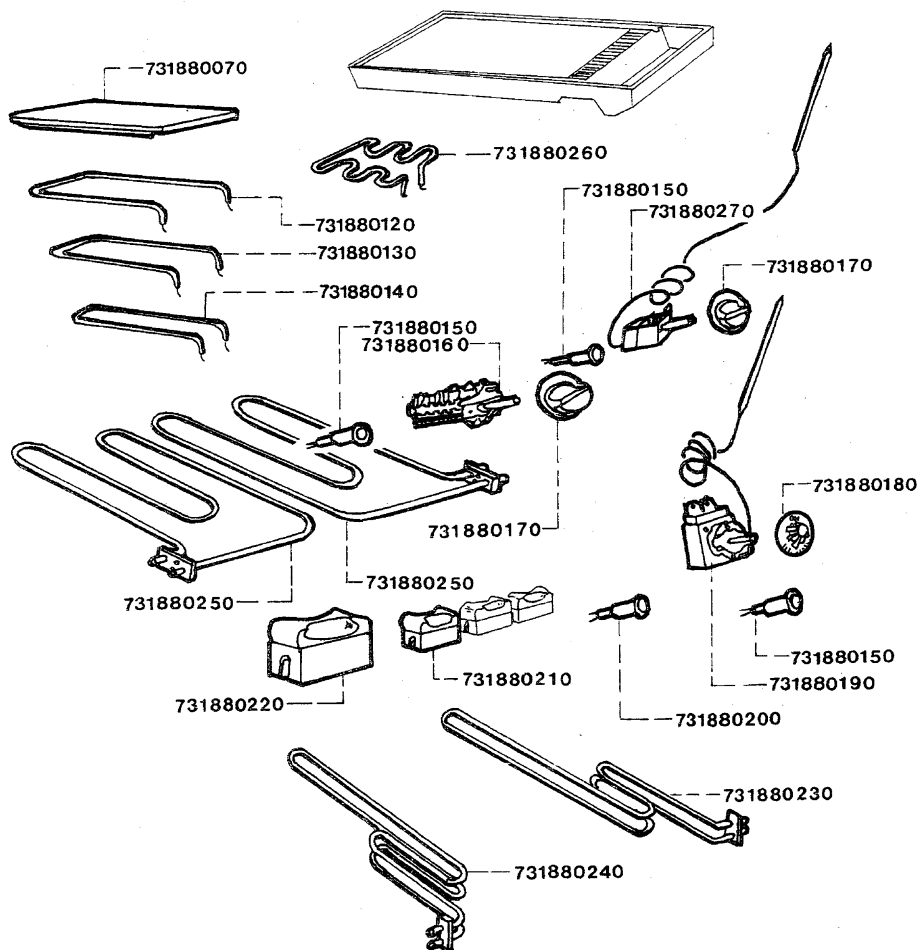


<u>Code No.</u>	<u>Description</u>
1F 531880380	Back Panel
8C 531880390	Shelf Hanger Brackets
8E 531880450	Shelf Hanger
1G 731880090	Oven Bottom Plate
2E 731880100	Oven Element Baffle

Sheet Reference Number

E1006/1085/003



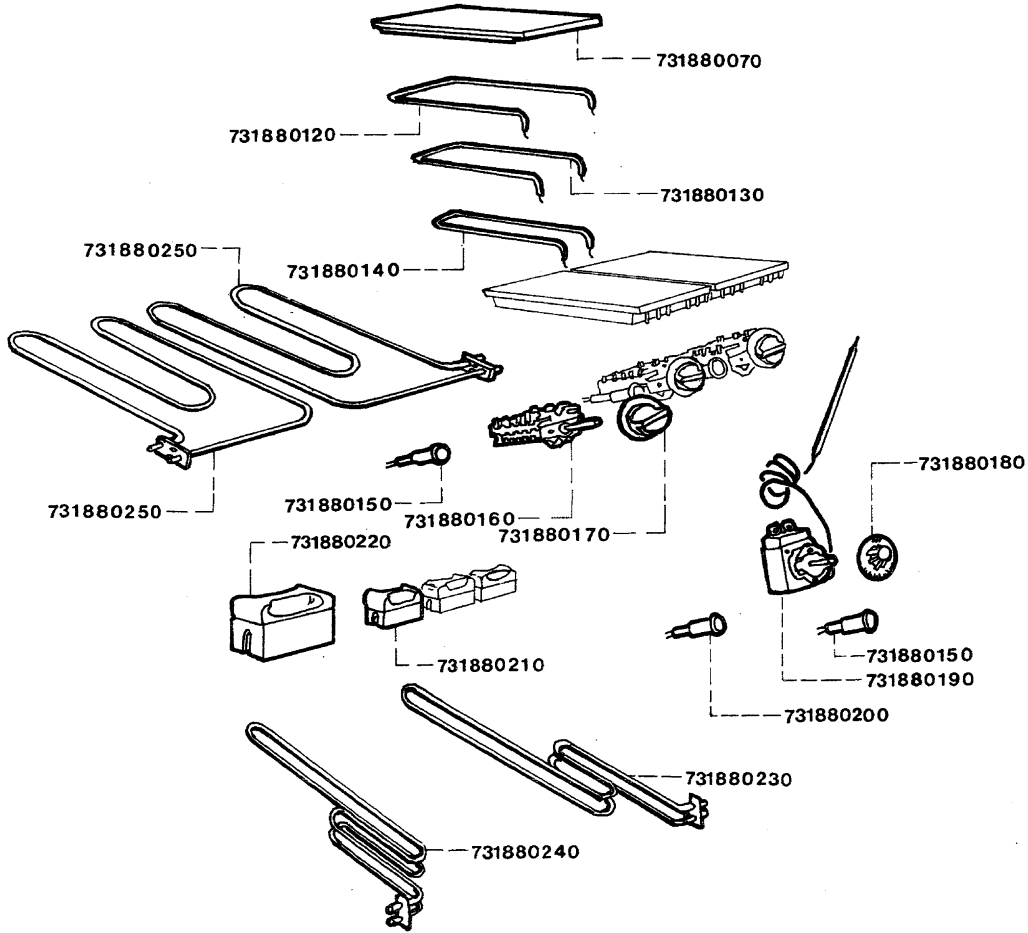


Code No.	Description
6G 731880070	Hotplate Casting Only
10E 731880120	Outer Hotplate Element
8E 731880130	Intermediate Hotplate Element
6E 731880140	Inner Hotplate Element
7B 731880150	Pilot Lamp (Amber)
8C 731880160	Control Switch
6B 731880170	Control Knob
6B 731880180	Thermostat Knob
9F 731880190	Thermostat
7B 731880200	Mains Pilot Lamp (Red)
4C 731880210	20 Amp Fuse Assembly
8C 731880220	30 Amp Fuse Assembly
2F 731880230	Bottom Oven Element—R.H.
2F 731880240	Bottom Oven Element—L.H.
1F 731880250	Top Oven Element
12F 731880260	Fryplate Element
1D 731880270	Simmerstat

Sheet Reference Number

E1006/1085/004





Code No.	Description
6G 731880070	Hotplate Casting Only
10E 731880120	Outer Hotplate Element
8E 731880130	Intermediate Hotplate Element
6E 731880140	Inner Hotplate Element
7B 731880150	Pilot Lamp (Amber)
8C 731880160	Control Switch
6B 731880170	Control Knob
6B 731880180	Thermostat Knob
9F 731880190	Thermostat
7B 731880200	Mains Pilot Lamp (Red)
4C 731880210	20 Amp Fuse Assembly
8C 731880220	30 Amp Fuse Assembly
2F 731880230	Bottom Oven Element—R.H.
2F 731880240	Bottom Oven Element—L.H.
1F 731880250	Top Oven Element

Sheet Reference Number

E1006/1085/005

