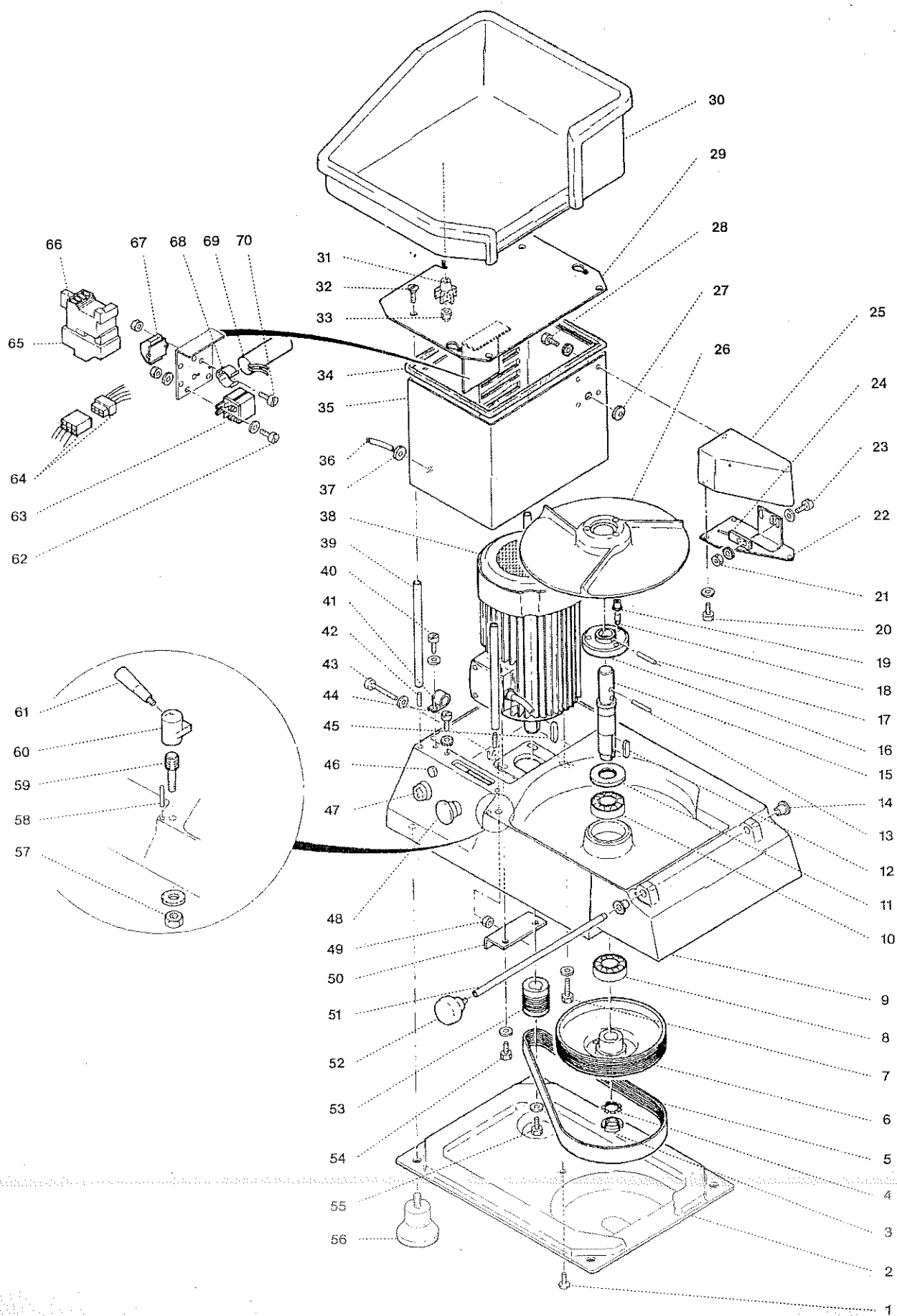
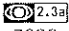


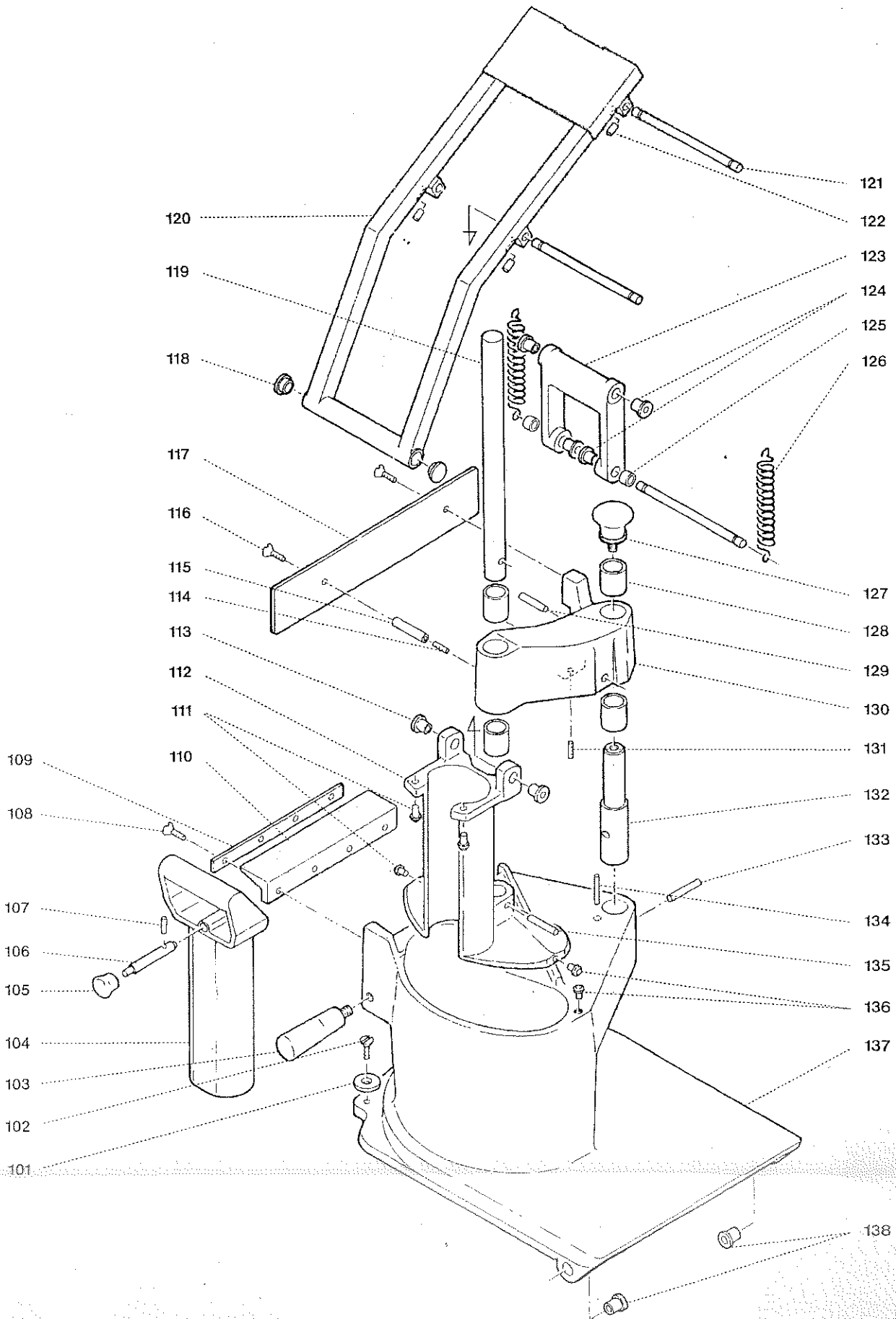
Vue éclatée - Mécanisme / Exploded view mechanism



Nomenclature mécanisme / Parts list mechanism

Rep. Item	Qté. Qty	Code Part N°	Désignation / Description
1	1	3636	Vis / Screw / RL6 M6 x 16
2	1	10333	Plaque de fond / Bottom plate
3	1	4613	Ecrou frein / Lock nut / KM5
4	1	4614	Rondelle frein / Lock washer / MB5
5	1	10331	Courroie / Belt
6	1	10328	Poulie réceptrice / Driven pulley
7	2	3518	Vis / Screw / H M8 x 20
	2	6862	Rondelle / Washer / CS M8
8	1	6110	Roulement / Bearing / 6008 2RS.,
9	1	10321	Corps / Body
10	1	3044	Roulement / Bearing / 6006 2RS
11	1	10324	Joint d'étanchéité / Seal / C35 x 62 x 7
12	1	6750	Clavette / Key / C 6 x 6 x 38
13	1	10374	Goupille moletée / Knurled pin
14	2	1207	Bague / Bush
15	1	10325	Arbre de plateau / Plate shaft
16	1	10326	Entraîneur d'éjecteur / Ejector driving plate
17	1	7410	Goupille / Pin / GO1 6 x 35
18	3	8811	Entraîneur fileté / Threaded pin
19	3	4271	Bague / Bush
20	3	3499	Vis / Screw / H M5 x 12
	3	5867	Rondelle / Washer / CS M5
21	2	3650	Ecrou / Nut / Hu M3
	2	3765	Rondelle / Washer / AZ3
22	1	10338	Porte sécurité / Magnetic switch bracket
23	2	3566	Vis / Screw / C M3 x 16
	2	3747	Rondelle / Washer / M3
24	1	12062	Détecteur magnétique / Magnetic switch
25	1	10337	Coffret de sécurité / Switch housing
26	1	10348	Ejecteur / Ejector
27	1	3151	Passe-fil / Grommet
28	4	3506	Vis / Screw / H M6 x 16
	4	3768	Rondelle / Washer / AZ6
29	1	10339	Plaque de fermeture / Upper plate
30	1	10598	Bac inox / Stainless hopper
31	1	1479	Ecrou basculeur / Locking knob
32	4	3548	Vis / Screw / F M6 x 20
33	1	3668	Ecrou borgne / Cap nut / M6
34	1	4449	Joint / Seal
35	1	10335	Caisson moteur / Motor housing
36	1	3404	Câble triphasé / Electrical lead (three phase)
		3405	Câble monophasé / Electrical lead (single phase)
37	1	3151	Passe-fil / Grommet
38	1	 7623	Moteur / Motor
	1	7623	Condensateur / Capacitor / 120MF 250V
39	4	10334	Chandelle / Rod
40	1	3577	Vis / Screw / CM5 x 12
	1	5867	Rondelle / Washer CS M5
41	1	3471	Collier / Cable clamp / CV9
42	4	3644	Goujon / Stud / M6 x 20 / 8 / 8
43	1	3515	Vis / Screw / H M6 x 60
44	1	3785	Rondelle / Washer / Cs M6
	1	3577	Vis / Screw / C M5 x 12
	1	3767	Rondelle / Washer / AZ5
45	1	7879	Clavette / Key / C 8 x 7 x 30
46	1	6868	Voyant / Led
47	1	12164	Bouton marche / Start button
48	1	12163	Bouton arrêt / Stop button
49	1	3653	Ecrou / Nut / H M6
50	1	10329	Equerre tendeur / Belt adjustment bracket
	1	4475	Riveklé / Riveklé
51	1	10345	Broche / Cover hinge spindle
52	1	3175	Poignée / Handle
53	1	7167	Poulie motrice / Motor pulley
54	2	10330	Vis / Screw / HM8 x 25
55	2	6862	Rondelle / Washer / CsZ8
	1	5093	Vis / Screw / HM8 x 20
	1	10890	Rondelle / Washer / LL8
56	4	6805	Patin / Rubber foot
57	1	3654	Ecrou / Nut / Hu M8
	1	3769	Rondelle / Washer / AZ8
58	1	10323	Goupille / Pin / GO5 5 x 32
59	1	10503	Axe verrou droit / Bolt shaft
60	1	12839	Verrou droit / Right hand threaded cap
61	1	9834	Goujon / Stud / M10 x 60
	1	9833	Poignée / Handle
62	2	3565	Vis / Screw / CM3 x 8
	4	3747	Rondelle / Washer / M3
	2	3650	Ecrou / Nut / Hu M3
63	1	5337	Relais auxiliaire / Auxiliary relay / 400V
		5191	Relais auxiliaire / Auxiliary relay / 240V
64	1	11347	Boîtier 6 voies / 6 way connector
		11348	
65	1	7257	Relais thermique / Thermal relay / 3 phases
	1	7883	Relais thermique / Thermal relay / 1 phase
66	1	3328	Contacteur triphasé / Contactor (3 phase) / 230-400V
		7882	Contacteur monophasé / Contactor (1 phase) / 230V
	1	6380	Contact auxiliaire / Contact block / 1 phase
67	1	12153	Bornier triphasé / Terminal block / 3 phase
		12152	Bornier monophasé / Terminal block
68	1	1127	Lyre / Mounting
69	1	11466	Condensateur freinage / Capacitor / 100 MF-250 V (moteur triphasé)
	1	2992	Condensateur freinage / Capacitor / 310 MF-250V (moteur monophasé)
70	3	3572	Vis / Screw / C M4 x 16
	2	3571	Vis / Screw / C M4 x 12
	2	3766	Rondelle / Washer
	4	3651	Ecrou / Nut / Hu M4

Vue éclatée trémies / Exploded view hopper and feed arm



Nomenclature trémies / Parts list hopper and feed arm

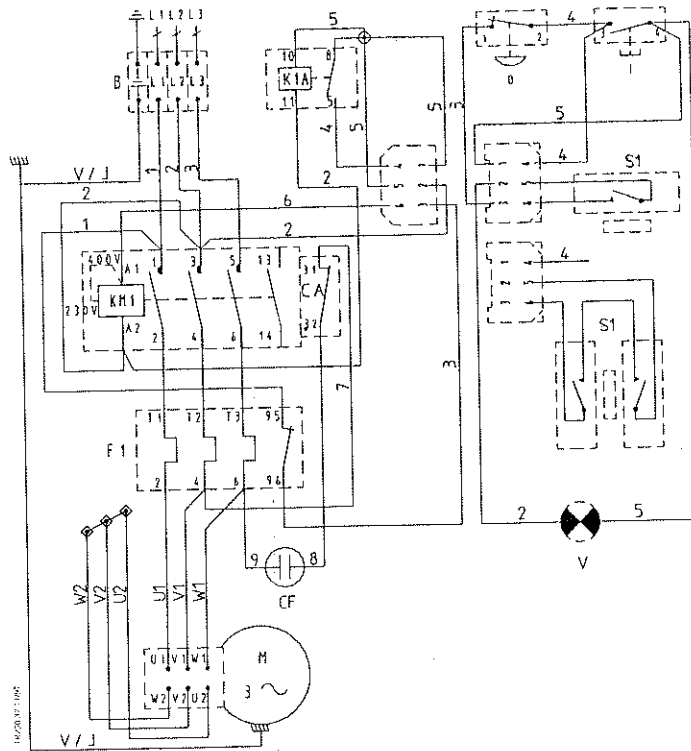
Rep. Item	Qté. Qty	Code Part N°	Désignation / Description
101	1	4775	Rondelle / Washer
102	1	3544	Vis / Screw / F M6 x 12
103	1	3646	Goujon / Stud
	1	9833	Poignée / Cover handle
104	1	10367	Pilon / Feedstick
105	1	6079	Boule / Knob
106	1	10368	Verrou / Plunger spindle
107	1	10369	Goupille / Pin / GO5 5 x 12
108	4	3540	Vis / Screw / FM 5 x 16
109	1	10371	Plaque profilé / Seal plate
110	1	10370	Profilé / Seal
111	3	10352	Butée / Block stop
112	1	10365	Presseur / Pusher device
113	2	4271	Bague / Bush
114	1	3644	Goujon / Stud / M6 20/8/8
115	1	10357	Rallonge / Spacer
116	2	3547	Vis / Screw / F M6 x 16
117	1	10358	Volet / Guide plate
118	2	10363	Embout / End cap
119	1	10366	Axe presseur / Pusher guide
120	1	10362	Levier / Lever
121	3	10359	Axe D'articulation / Hinge pin
122	4	3690	Goupille / Pin / GO1 3 x 14
123	1	10361	Bielette / Stirrup
124	4	4274 DS18153	Bague / Bush
125	2	5032	Entreprise / Spacer
126	2	2931	Ressort / Spring
127	1	3175	Boule / Knob
	1	3757	Rondelle / Washer / M8
128	4	10356	Bague / Bush / 22 x 28 x 30
129	1	8343	Aimant / Magnet
130	1	10355	Portique / Bracket
131	2	4873	Vis / Screen / STHC M6 x 10
132	1	10353	Axe pivot / Pivot pin
133	1	3708	Goupille / Pin / GO1 8 x 45
134	1	8574	Goupille / Pin / GO5 8 x 32
135	1	3703	Goupille / Pin / GO1 8 x 36
136	2	10352	Butée / Stop
137	1	10351	Trémie / Cover
138	2	1207	Bague / Bush

Sous-ensembles SAV/Sub-assemblies	
Code Part N°	Désignation / Description
11113	Arbre de plateau équipé / Plate shaft assembly (3+4+12+13+15+16+17+18)
11114	Verrou complet / Bolt assembly [57->61]
11115	Éjecteur équipé / Complete ejector [19->26]
11116	Bac équipé / Hopper assembly [30+31+33]
11117	Pilon complet / Feedstick assembly [104->107]
11118	Broche équipée / Cover hinge spindle assembly [51->52]
12670	Trémie légumes longs / Long vegetable hopper
12676	Pilon trémie légumes longs / Feedstick for long vegetable hopper
0410	Râtelier / Rack
0990	Table mobile sans râtelier / Mobile stand without rack
11108	Moteur triphasé, équipé / 3 phase motor assembly/ 230-400 V
11109	Moteur monophasé équipé / Single phase motor assembly / 230 V
11111	Table mobile avec râtelier / Mobile stand with rack

Schémas électriques / Electrical wiring diagrams

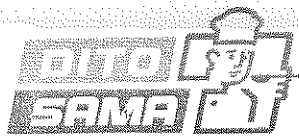
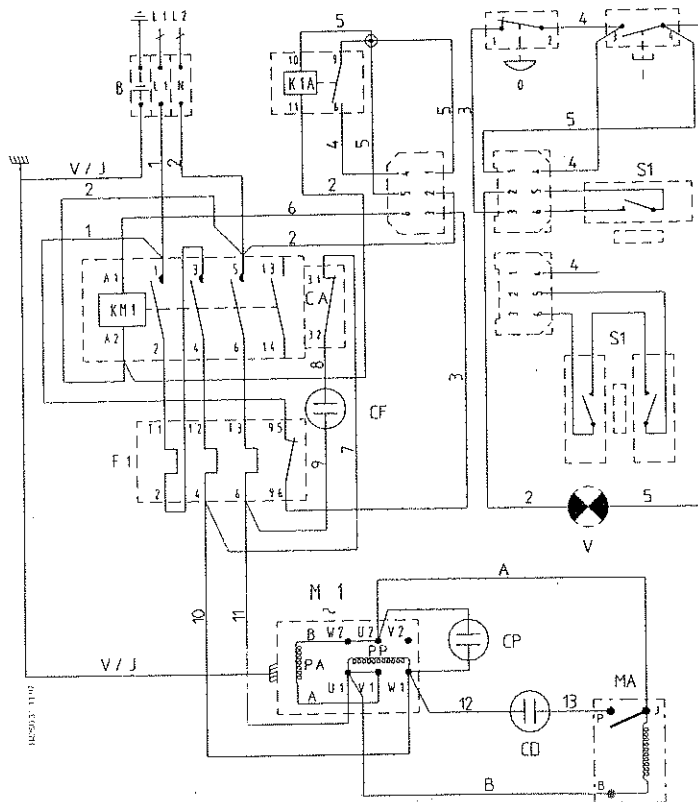
BRANCHEMENT TRIPHASÉ / THREE PHASE CONNECTION / 230/400 V

6.4



BRANCHEMENT MONOPHASÉ / SINGLE PHASE CONNECTION / 230 V

6.4

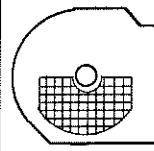


39, rue de Beauze - 23200 Aubusson - France
Tél. (33) 05 55 83 23 23 - Fax (33) 05 55 66 11 08

Les textes, photos, illustrations, dessins techniques sont non contractuels. / The texts, photos, illustrations and diagrams are non-contractual

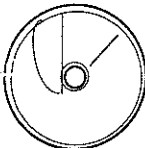


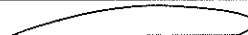
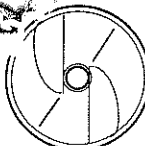







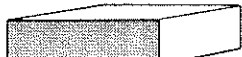






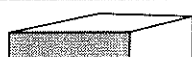
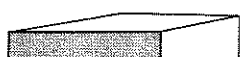

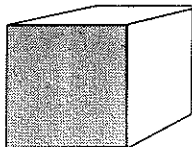
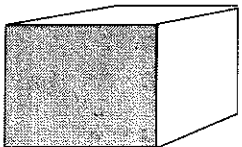
PLATE & GRID SELECTION

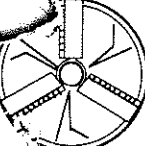


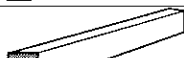
The shaded section of the cuts illustrated below are shown full size - simply select the cut you require and read off the plate needed. Grids must be used in conjunction with slicing plates C305, C306, C308, C310 or C316 to produce the combinations shown on the right. Where N/A appears against a combination of plate and grid this combination is not recommended. The last two digits in the part number show the size of cut in millimetres, ie: slicing plate C302 produces a 2mm thick slice; grid AM310 used with plate C310 produces a cube of dimensions 10mm x 10mm x 10mm.

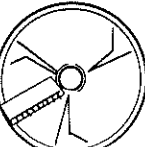






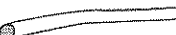
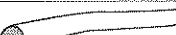

Slicing Plate + Dicing Grid

Carrots, Potatoes, Beetroot, Mushrooms, Cucumbers, Onions, Apple.

Plate	Cut	Recommended for	AM310	AM316	AM320
Slicing Plate					
 C301		Potatoes - sauté, crisps, omelette, soufflé etc, Carrots, Aubergines, Celery, Peppers, Mushrooms, Fennel, Radish, Courgettes, Cucumber, Endives, Onion, Cabbage, Beetroot, Lemons, Oranges, Apples, Bananas, Almonds.	N/A	N/A	N/A
C302			N/A	N/A	N/A
C303			N/A	N/A	N/A
Slicing Plate					
 C305		Potatoes, Carrots, Aubergines, Celery, Mushrooms, Courgettes, Cucumber, Endives, Radish, Beetroot, Fennel Peppers, Lemons, Oranges, Apples, Bananas, Rhubarb.			
C306					
C308					
C310					
C316			N/A		

Straw Plate		
 A302		Celery Root, Carrots.
A303		Celery Root, Potato Straws
A304		Potato Sticks.

French Fry/Chip Plate		
 AF306		French Fries, Carrot Sticks, Cucumbers.
A308		French Fries.
A310		French Fries.

Shredding Plate		
 J302		Cheese (hard), Breadcrumbs (dry).
J303		Cheese (soft), Celery Root, Carrots, Radish, Nuts
J304		Potato, Cheese (soft), Radish, Chocolate, Cabbage.

CAPACITY CHART			
Product	Type of Cut	Plate/Grid	Output (kg/h)
Potato	8x8mm French Fry	AF308	550/600
	10x10x10mm Cube	C310+AM310	600/650
	1mm Crisps	C301	300/350
	3mm Slices	C303	500/550
Carrots	3mm Straws	A303	550/600
	10x10x10mm Cubes	C310+AM310	600/650
Cabbage	3mm Slices	C303	150/200
	3mm Shredded	J303	300/350
Cucumbers	2/3mm Slicing (for Coleslaw)	C302/C303	500/550
Cucumbers	3mm Slices	C303	150/200
Cheese	2mm Fine Grating	J302	300/330

TR250/260/FVC06 Replacement blades

Slicer plates:

Blade (smooth) all slicer plates (Except "tomato" plates)	0KJ769	£43.03 (Pack of 2)
Blade (Serrated) "Tomato" plates only	0U0547	£53.15 (Each)
Blade (Wavy edge)	0D0360	£89.00 (Pack of 3)

Shredders and Graters:

Disc for J302 (FAC59)	0D0783	£78.91 (Each)
Disc for J303 (FAC60)	0U0443	£96.99 (Each)
Disc for J304 (FAC61)	0U0430	£96.99 (Each)
Disc for J307 (FAC62)	0U0550	£99.64 (Each)
Disc for P300	0D1918	£23.00 (Each)
Disc for K300	0D1919	£24.91 (Each)

Julienne(Straw)and Chip(French Fry) plates:

Blade (Slice knife) all discs	0KJ726	£18.91 (Each)
Slitting Knife Set A302 (FAC63)	0D1528	£54.34 (Each)
Slitting Knife Set A303 (FAC64)	0U0444	£25.57 (Each)
Slitting Knife Set A304 (FAC65)	0KJ758	£15.28 (Each)
Slitting Knife Set AF306 (FAC66)	0D1499	£31.50 (Each)
Slitting Knife Set AF308 (FAC67)	0U0450	£25.57 (Each)
Slitting Knife Set AF310 (FAC68)	0U0458	£25.57 (Each)

Prices are correct as of 13/05/04 but are subject to change.