

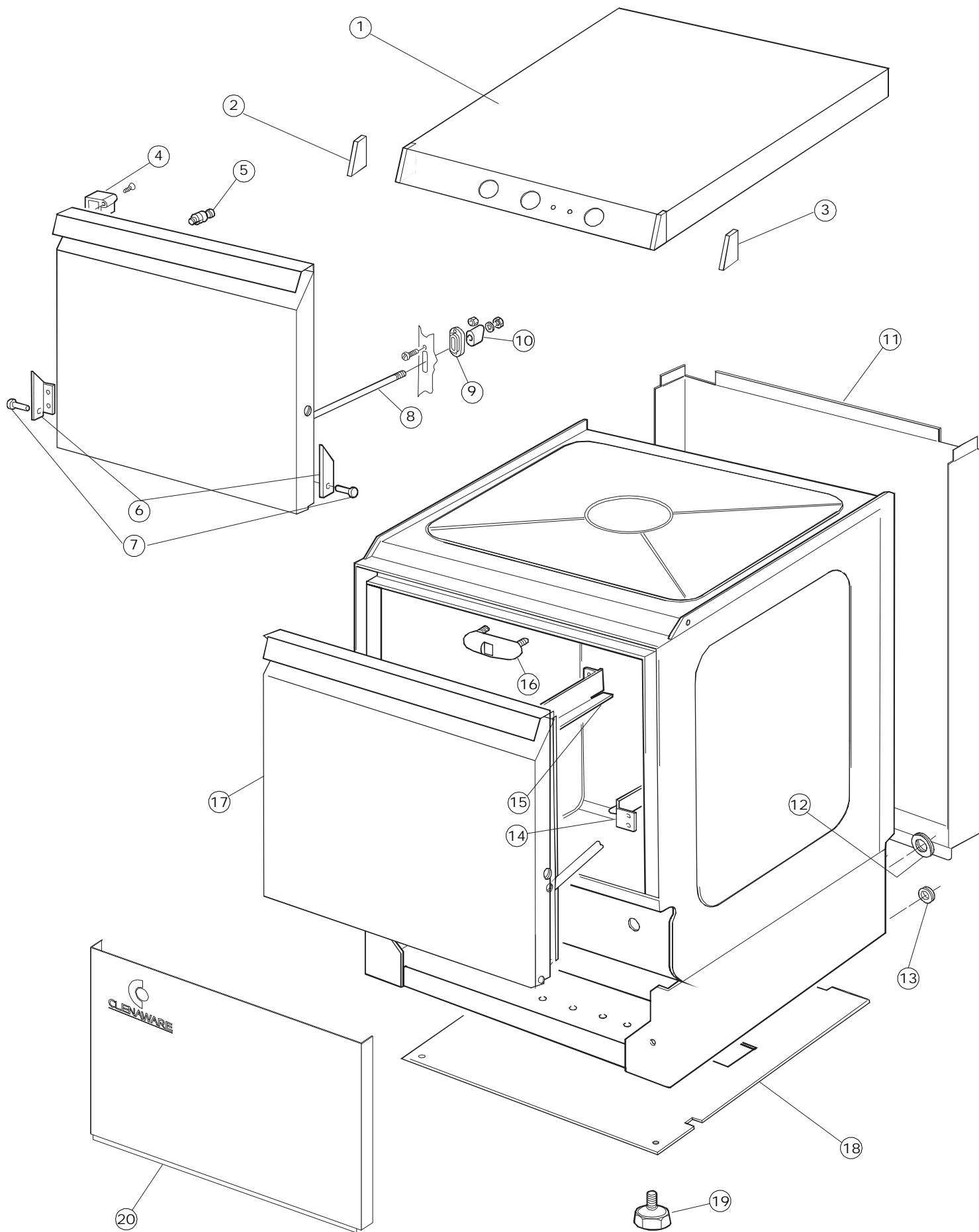
CLENAWARE

**SPARE PARTS CATALOGUE
ERSATZTEILKATALOG
CATALOGUE PIECES DETACHEES
CATALOGO PARTI RICAMBIO
CATALOGO DE PIEZAS DE RECAMBIO
CATALOGO PEÇAŞ DE REPOSIÇÃO**

e-mech 451
e-mech 451DP

08-01-2007

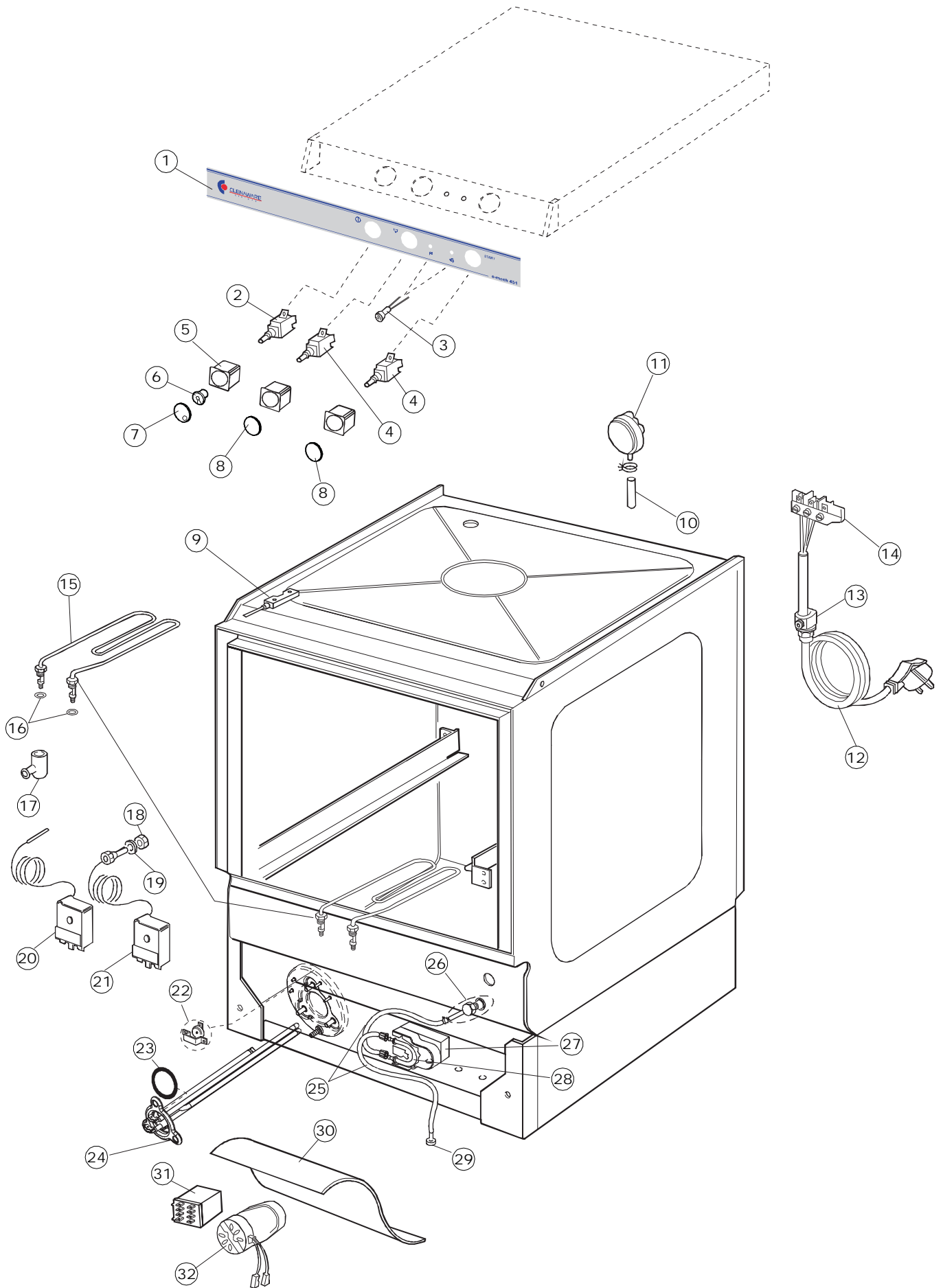
1



Pagina 1

1	004182	CAPPELLO E-MECH 451 CPL. COVER E-MECH 451 CPL. GEHAEUSEDECKEL E-MECH 451 KPL. COUVERCLE E-MECH 451 CPL. CAPERUZA E-MECH 451 CPL.	
2	480114	TAPPO CAPPELLO SX.351/401/451 COVER PLUG-LH 351/401/451 PFROPFEN, DECKEL-LINKS 351/401/451 BOUCHON GAUCHE 351/401/451 TAPON CAPERUZA IZDA. 351/401/451	
3	480113	TAPPO CAPPELLO DX.351/401/451 COVER PLUG-RH 351/401/451 PFROPFEN, DECKEL-RECHTS 351/401/451 BOUCHON DROITE 351/401/451 TAPON CAPERUZA DCHA. 351/401/451	
4	999108	GRUPPO CALAMITA PORTA 453/463/500/503 MAGNET, DOOR 453/463/500/503 MAGNET, TÜR 453/463/500/503 ENS.AIMANT PORTE 453/463/500/503 GRUPO IMAN PUERTA 453/463/500/503	
5	325030	PIOLO SERRATURA INOX LOCK PIN, INOX PFLOCK, SCHLOSS INOX CHEVILLE SERRURE INOX BARROTE CERRADURA INOX	
6	311019	CERNIERA PORTA 45/46/50.. HINGE, DOOR 45/46/50.. SCHARNIER, TÜR 45/46/50.. CHARNIERE PORTE 45/46/50.. BISAGRA PUERTA 45/46/50. .	
7	325036	PERNO CERNIERA PORTA 50 PIN, DOOR HINGE 50 ZAPFEN, TÜRSCHARNIER 50 PIVOT CHARNIERE PORTE 50 PERNO BISAGRA PUERTA 50	
8	304021	ASTA GUIDA PORTA 50/500/453/463/503 ROD, DOOR GUIDE 50/500/453/463/503 STANGE, TÜRSCHIENE 50/500/453/463/503 BARRE GUIDE PORTE 50/500/453/463/503 VARA GUIA PUERTA 50/500/453/463/503	
9	307003	BATTUTA DADO ASTA NUT-LEDGE, FOR ROD ANSCHLAG, SCHRAUBENMUTTER FÜR STAB FEUILLURE ECROU BARRE TOPE TUERCA VARA	
10	417041	DADO BATTUTA PORTA NUT, DOOR BUFFER SCHRAUBENMUTTER, TÜRANSCHLAG ECROU FEUILLURE PORTE TUERCA TOPE PUERTA	
11	022103	PANNELLO POSTERIORE CPL-453 PANEL, REAR CPL-453 PLATTE, HINTEN CPL-453 PANNEAU ARRIERE CPL-453 PANEL TRASERO CPL-453	
12	459004	PASSATUBO GOMMA DI.34 PIPEHOLDER, RUBBER DI.34 ROHRDURCHGANG, GUMMI DI.34 SUPPORT-TUYAU CAOITCHOUIC DI.34 PASA-TUBO GOMA DE. 34	
13	459006	PASSACAVO Di9/De16 22 FAIRLEAD, Di9/De16 22 KABELDURCHGANG, Di9/De16 22 PASSE-CABLE Di9/De16 22 PASA-CABLE Di9/De16 22	
14	015040	GUIDA CESTO DX.453/463 GUIDE, BASKET RH 453/463 FÜHRUNG, KORB RECHTS 453/463 GUIDE PANIER DROITE 453/463 GUIA CESTA DCHA. 453/463	
15	015046	GUIDA CESTO SX.453/463 GUIDE, BASKET LH 453/463 FÜHRUNG, KORB LINKS 453/463 GUIDE PANIER GAUCHE 453/463 GUIA CESTA IZQDA. 453/463	

16	994012	GRUPPO SERRATURA EB/F 22/44 LOCK EB/F 22/44 SCHLOSS EB/F 22/44 ENS.SERRURE EB/F 22/44 GRUPO CERRADURA EB/F 22/44	
17	029341	PORTA COMPLETA B245 CLG COMPLETE DOOR B245 TUER KOMPLETT B245 PORTE PUERTA COMPLETA B245 COLGED	
18	030102	PROTEZ.INFER.ZOCCOLO 453/463 PROTECTION, LOW., SOCLE 453/463 SCHUTZ, UNTEN, SOCKEL 453/463 PROTECT.INFER.SOCLE 453/463 PROTECCION INFER. BASE 453/463	
19	012271	FRONTALINO EST.451 CLENAWARE FRONT PANEL, OUT.451 CLENAWARE FRONTTEIL, AUSS.451 CLENAWARE PANNEAU FRONTAL EXT.451 CLENAWARE PANEL FRONTAL EXT. 451 CLENAWARE	



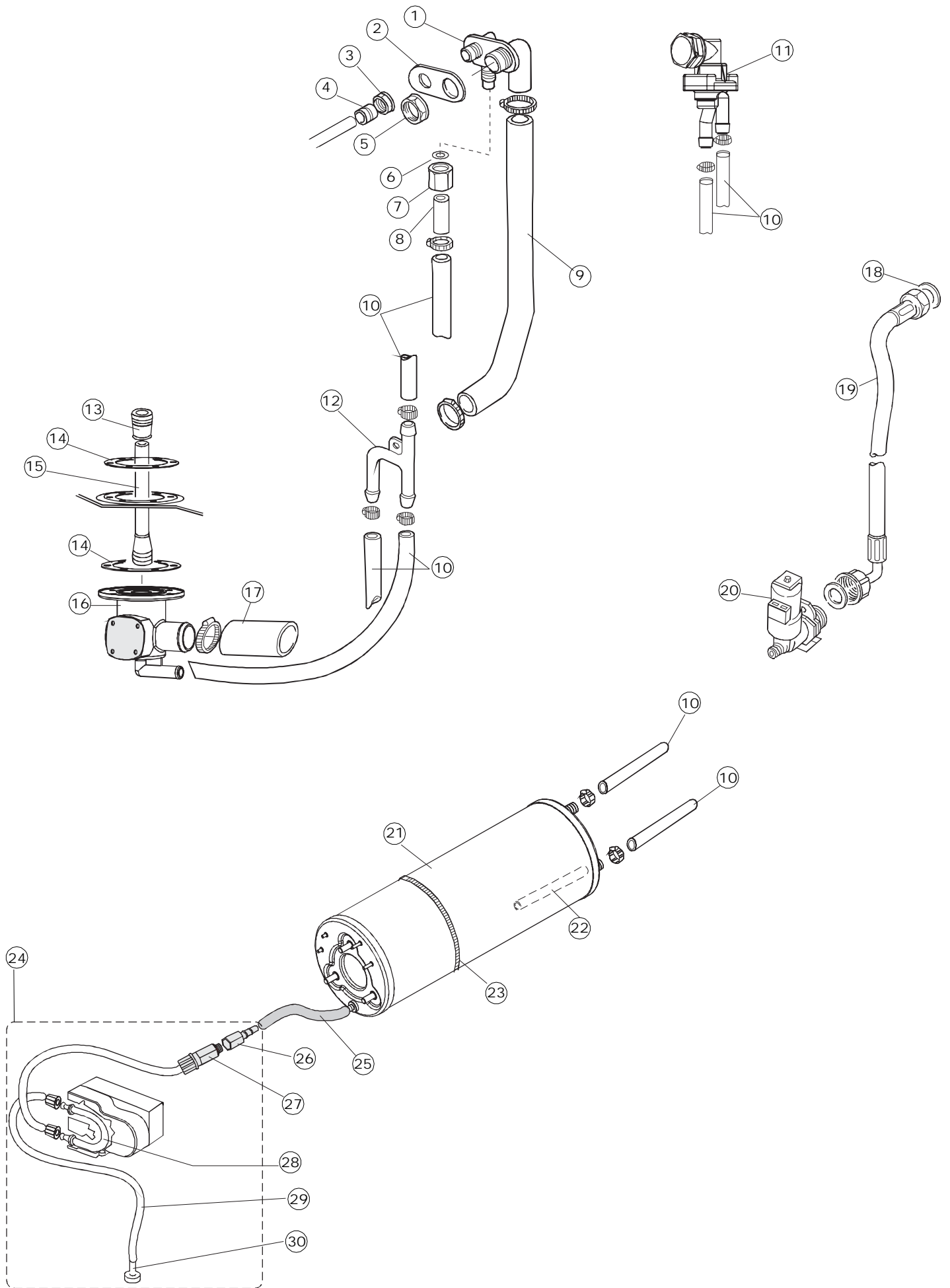
Pagina 2

1	025872	POLIESTERE E-MECH 451 CLENAWARE ADHESIVE CONTROL PANEL E-MECH 451 SELBSTKLEBENDE E-MECH 451 PANNEAU DE COMMANDES E-MECH 451 POLIESTER E-MECH 451 CLENAWARE	
2	208010	DEVIATORE DOPPIO - 35/40/50 SWITCH, DOUBLE - 35/40/50 ABLENKER, DOPPELT - 35/40/50 COMMUTATEUR DOUBLE - 35/40/50 DESVIADOR DOBLE - 35/40/50	
3	216025	LAMPADA SPIA SERIE 24.5.0.00.04.78 WARNING LAMP, SERIES 24.5.0.00.04.78 KONTROLL-LAMPE, REIHE 24.5.0.00.04.78 LAMPE-TEMOIN SERIE 24.5.0.00.04.78 LAMPARA TESTIGO SERIE 24. 5. 0. 00. 04.	
4	226071	PULSANTE DOPPIO CONTATTO 35/40/50 PB W/DOUBLE CONTACT 35/40/50 DRUCKT. MIT DOPPELKONTAKT 35/40/50 BP DUBLE CONTACT 35/40/50 PULSADOR DOBLE CONTACTO 35/40/50	451DP
5	226119	CORPO PULSANTE BLU PANTONE 293(D25) SWITCH HOLDER BLUE KOERPER DES DRUCKKNOPFES CORPS POUSSOIR CUERPO PULS. AZUL PANTONE 293(D25)	
6	409003	CAMMA BICOLORE NERO.OFF/VERDE ON D25 TWO-COLOUR CAM, BLACK OFF/GREEN ON D25 ZWEIFARB. NOCKEN, SCHWARZ AUS/GRÜN EIN D25 CAME BICOLORE NOIR OFF/VERTE ON D25 EXCENTR. BICOLOR NEGRO. OFF/VERDE ON D25	
7	227061	TASTO SATINATO ARGENTO CON SPIA SER.D25 KEY, SILVER GLAZED WITH PIL.LIGHT SER.D25 TASTE, SILBER-SATINIERT MIT KONTROLL-LAMPE REIHE D25 TOUCHE SATINE ARGENT AVEC VOYANT SER.D25 TECLA SATINADA PLATEADA CON TESTIGO SER. D25	
8	227060	TASTO SATINATO ARGENTO SERIE D25 KEY, SILVER GLAZED WITH PIL.LIGHT SER.D25 TASTE SILBER-SATINIERT REIHE D25 TOUCHE SATINE ARGENT SERIE D25 TECLA SATINADA PLATEADA SERIE D25	
9	211002	CONT.MAGNETICO+CAVO 302N.Ocm25 CONTACT, MAGNETIC+CABLE 302N.Ocm25 KONTAKT, MAGNET.+KABEL 302N.Ocm25 CONT. MAGNETIQUE+CABLE 302N.Ocm25 CONT. MAGNETICO+CABLE 302N. Ocm25	
10	143005	TUBO PRESS.TP 5x11 (CASER/15/NL C4N) PIPE, PRESSURE SWITCH TP 5x11 (CASER/15/NL C4N) ROHR, DRUCKSCHALTER TP 5x11 (CASER/15/NL C4N) TUYAU PRESS.TP 5x11 (CASER/15/NL C4N) TUBO PRES. TP 5x11 (CASER/15/NL C4N)	
11	224003	PRESSOSTATO - 55/35 PRESSURE SWITCH - 55/35 DRUCKSCHALTER - 55/35 PRESSOSTAT - 55/35 PRESOSTATO - 55/35	
12	299037	SPINA CABLATA GB3 (13A) H07RN-F 3X1.5 PLUG, CABLED GB3 (13A) H07RN-F 3X1.5 STECKER, VERKABELT GB3 (13A) H07RN-F 3X1.5 GOUPILLE CABLEE GB3 (13A) H07RN-F 3X1.5 CLAVIJA CABLEADA GB3 (13A) H07RN-F 3X1.	
13	459005	FISSACAVO STEAB art.5024 CABLE CLAMPS, STEAB art.5024 KABELKLIPPS, STEAB Art.5024 FIXE-CABLE STEAB art.5024 SUJETA-CABLE STEAB art. 5024	
14	220010	MORSETTIERA FV 110 50f TERM.B. FV 110 50f KLEMMENB. FV 110 50f BOITE A BORNES FV 110 50f BORNERO FV 110 50f	
15	230085	RESIST.V.2050W/220V-2450W/240V 11/31/.. RESISTANCE, TANK 2050W/220V-2450W/240V 11/31/.. WIDERSTAND, TANK 2050W/220V-2450W/240V 11/31/.. RESIST.CUVE 2050W/220V-2450W/240V 11/31/.. RESIST. V. 2050W/220V-2450W/240V 11/31/..	

16	456015	OR 112 9.92X2.62 O-ring 112 9.92X2.62 O-Ring 112 9.92X2.62 OR 112 9.92X2.62 OR 112 9.92X2.62	
17	463007	PIPA PROTEZIONE RESISTENZA LUG, RESISTANCE PROTECTION FITTING, WIDERSTANDSSCHUTZ TUBE PROTECTION RESIST. PIPA PROTECCION RESISTENCIA	
18	417017	DADO TERMOSTATO VASCA NUT, TANK THERMOSTAT SCHRAUBENMUTTER, TANKTHERMOSTAT ECROU THERMOSTAT CUVE TUERCA TERMOSTATO CUBETA	
19	437030	GUARNIZIONE D14D22S1.5 FIBRA GASKET, D14D22S1.5 FIBRE DICHTUNG, D14D22S1.5 FASERSTOFF JOINT D14D22S1.5 FIBRE JUNTA D14D22S1.5 FIBRA	
20	236055	TERMOSTATO BOILER TF-65ø THERMOSTAT, BOILER TF-65ø THERMOSTAT, BOILER TF-65ø THERMOSTAT CHAUDIERE TF-65ø TERMOSTATO CALENT. TF-65°	
21	236042	TERMOSTATO VASCA TR711 Tf-53ø THERMOSTAT, TANK TR711 Tf-53ø THERMOSTAT, TANK TR711 Tf-53ø THERMOSTAT CUVE TR711 Tf-53ø TERMOSTATO CUBETA TR711 Tf-53°	
22	236039	TERM-CONTATTO /S-110ø+/-5ø THERM.,CONT. /S-110ø+/-5ø THERM.,KONT. /S-110ø+/-5ø THERM-CONTACT /S-110ø+/-5ø TERM-CONTACTO /S-110°+/-5°	
23	456075	OR 37,47X5,33 NBR OR 37,47X5,33 NBR TORISCHE DICHTUNG 37,47X5,33 NBR JOINT TORIQUE 37,47X5,33 NBR OR 37,47X5,33 NBR	
24	230113	RESIST.B.2600W/230V FL.PICCOLA P/BULBO HEATING ELEMENT 2600W/230V FL.PICCOLA P/BULBO HEIZUNG 2600W/230V FL.PICCOLA P/BULBO RESISTANCE 2600W/230V FL.PICCOLA P/BULBO RESIST.B.2600W/230V FL.PEQUEÑA P/AMPOLLA	
25	143194	TUBO 4x6 CRISTAL TRASPARENTE PIPE 4x6 CRISTAL, TRANSP. ROHR 4x6 CRISTAL, DURCHS. TUYAU 4x6 CRISTAL TRANSPARENT TUBO 4x6 CRISTAL TRASPARENTE	
26	468151	RACCORDO ENTRATA SAPONE CPL NM * SALDATO UNION, EXTRA DET. CPL NM * WELDED VERBINDUNGSST., SEIFENEINTRITT CPL NM * GESCHW. RACCORD ENTREE SAVON CPL NM * SOUDE EMPALME ENTRADA JABON CPL NM * SOLDADO	
27	209021	DOSAT.PERIST.DETERGENTE REG. PERISTALTIC DISPENSER (NBR-3) DOSIFIC. PERIST.DETERGENTE REG.	
28	143219	TUBETTO SANTOPRENE 6X10 RACCORDI+GHIERE TUBE, SANTOPRENE 6X10 FITTINGS+METAL RINGS RÖHRCHEN, SANTOPRENE 6X10 VERBIND.+GEWINDERINGE TUBE SANTOPRENE 6X10 RACC.+COLL.DE SERR. TUBITO SANTOPRENE 6X10 EMPALMES+VIROLAS	
29	121075	FILTRO ASPIR.INOX(775239-001) FILTER, SUCT.INOX (775239-001) FILTER, ABSAUG.INOX (775239-001) FILTRE ASPIR.INOX(775239-001) FILTRO ASPIR. INOX(775239-001)	
30	214090	PROTEZ.EL. TRASP.453 EL.PROTECTION,TRANSP.453 EL.SCHUTZ,TRANSP.453 PROTECT.EL. TRANSP.453 PROTECCION EL. TRANSP. 453	

31	229039	RELÉ 62.82.8.230.0300 RELAY 62.82.8.230.0300 RELAIS 62.82.8.230.0300 RELAIS 62.82.8.230.0300 RELÉ 62.82.8.230.0300	
32	238053	TIMER+CONNET.3impulsi 150" TIMER+CONN.3impulses 150" TIMER+ANSCHL.3-Impulse 150" TEMPORISATEUR+CONNECT.3impulsions 150" TIMER+CONECT. 3IMPULSOS 150"	

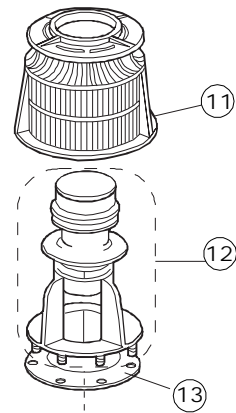
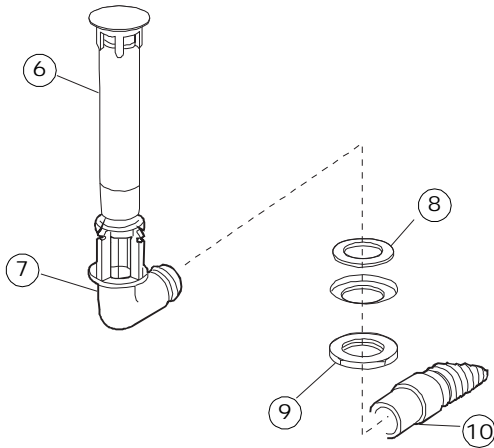
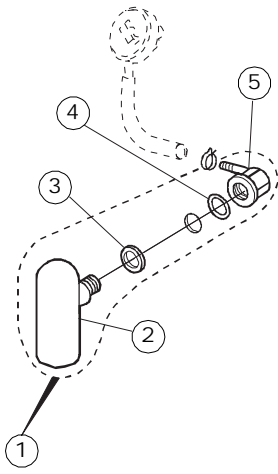
3



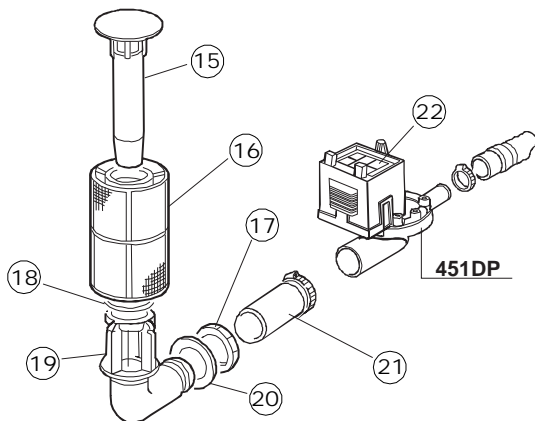
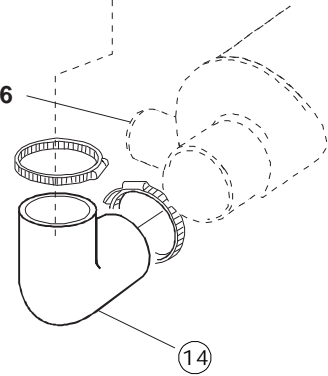
Pagina 3

1	111001	COLLETTORE LAVAGGIO RISCIAQUO MANIFOLD, WASHING7RINSE SAMMELLEITUNG, SPÜLEN/NACHSPÜLEN COLLECTEUR LAVAGE RINCAGE COLECTOR LAVADO ENJUAGUE	
2	437037	GUARNIZIONE COLLETTORE S621-3- GASKET, MANIFOLD S621-3- DICHTUNG, SAMMELLEITUNG S621-3- JOINT COLLECTEUR S621-3- JUNTA COLECTOR S621-3-	
3	417039	DADO FISSA COLLETTORE RISC. NUT, TO FIX RINSE MANIFOLD SCHRAUBENMUTTER, BEF.NACHSPÜL.SAMMELLEITUNG ECROU FIX.COLLECTEUR DE RINC. TUERCA FIJA COLECTOR ENJUAGUE	
4	441009	INSERTO TENUTA D10 COLL.S621- INSERT, SEAL D10 COLL.S621- EINSATZ, DICHT. D10 SAMM.S621- INSERT ETANCHEITE D10 COLL.S621- ELEMENTO ESTANQ. D10 COLECT. S621-	
5	417038	DADO FISSA COLLETTORE LAVAGGIO NUT, TO FIX WASH.MANIFOLD SCHRAUBENMUTTER, BEF. SPÜL.SAMMELLEITUNG ECROU FIX.COLLECTEUR DE LAVAGE TUERCA FIJA COLECTOR LAVADO	
6	456011	OR 3037 O-ring 3037 O-Ring 3037 OR 3037 OR 3037	
7	468002	RACC. T COND.CENTR.BOILER S621 UNION, T COND.CENTR.BOILER S621 T-VERBINDUNGSST., KOND.ZENTR.BOILER S621 RACC. T COND.CENTR.CHAUDIERE S621 RECOGIDA T COND. CENTR. CALENTADOR S621	
8	143211	TUBETTO COLLETTORE L/R 31-403 TUBE, COLLECTOR L/R 31-403 SAMMELRÖHRCHEN L/R 31-403 TUBE COLLECTEUR L/R 31-403 TUBITO COLECTOR L/R 31-403	
9	127001	MANICOTTO MANDATA 21/31 SLEEVE, DELIVERY 21/31 MUFFE, VERSORGUNG 21/31 MANCHON REFOUL. 21/31 MANGUITO IMPULSION 21/31	
10	143004	TUBO PRESS.TP 10X17 (CASER/15NL C4N) PIPE, PRESSURE SWITCH TP 10X17 (CASER/15NL C4N) ROHR, DRUCKSCHALTER TP 10X17 (CASER/15NL C4N) TUYAU PRESS.TP 10X17 (CASER/15NL C4N) TUBO PRES. TP 10X17 (CASER/15NL C4N)	
11	144010	DISPOSIT.A/R.(EB) CON RACCORDO SFIATO CHECK VALVE (EB) W/DRAIN UNION RÜCKSCHLAGVORR.(EB) MIT ENTLÜFTUNG DISPOSIT.A/R.(EB) AVEC RACCORD DE VIDANGE DISPOSIT. A/R. (EB) CON EMPALME ALIVIAD.	
12	143173	GIUNZIONE RISC.PLAST.35/40/50 JOINT, RINSE PLAST.35/40/50 VERBIND., NACHSPÜLEN KUNST.35/40/50 JOINT RINC.PLAST.35/40/50 UNION ENJUAGUE PLAST. 35/40/50	
13	441009	INSERTO TENUTA D10 COLL.S621- INSERT, SEAL D10 COLL.S621- EINSATZ, DICHT. D10 SAMM.S621- INSERT ETANCHEITE D10 COLL.S621- ELEMENTO ESTANQ. D10 COLECT. S621-	
14	437014	GUARNIZIONE COND.INFER.S850 GASKET, LOWER MANIFOLD S850 DICHTUNG, UNT.SAMMELLEITUNG S850 JOINT COND.INF.S850 JUNTA COND. INFER. S850	
15	143199	TUBO RISC.CONDOTTA INFER. 453 PIPE, LOWER PIPE RINSE 453 ROHR, UNT. LEIT.NACHSPÜLEN 453 TUYAU RINC.CONDUITE INFER. 453 TUBO ENJUAGUE CONDUCTO INFER. 453	

16	926254	PIANTONE INF.LAV.120/140/45 DOS.IDRAUL. BRACKET, WASH.LOWER 120/140/45 HYDR.DISP. SAULE, SPÜL.UNTEN 120/140/45 HYDR.DOSIER. COLONNE INF.LAV.120/140/45 DOS.HYDRAUL. COLUMNNA INF. LAV. 120/140/45 DOS.HIDRAUL.	
17	127022	MANICOTTO MANDATA 11 SLEEVE, DELIVERY 11 MUFFE, VERSORGUNG 11 MANCHON REFOUL. 11 MANGUITO IMPULSION 11	
18	437041	GUARNIZIONE 3/4 GAS CARICO GASKET 3/4 GAS LOAD DICHTUNG 3/4 GASVERSORG. JOINT 3/4 GAZ VID. JUNTA 3/4 GAS CARGA	
19	143112	TUBO CARICO CURVA 3/4GAS D.i12 PIPE, BEND LOAD 3/4GAS D.i12 ROHR, EINLASS KNIE 3/4GAS D.i12 TUYAU CHARG.COURBE 3/4GAS D.i12 TUBO CARGA CURVA 3/4GAS D. i12	
20	240019	ELETTROVALVOLA DI CARICO 1VIA(10LT.) SOLENOID VALVE 1 EXIT MAGNETVENTIL - 1 WEG SOUPAPE SOLENOIDE 1 VOIE VALVULA DE CARGA 1VIA(10LT.)	
21	104057	BOILER E45 RESISTENZA FLANGIATA BOILER E45 WARMWASSERBEREITER SURCHAUFFEUR E45 CALENTADOR E45 RESISTENCIA EMBRIDADA	
22	143228	TUBO ENTRATA ACQUA BOILER 8X9XL250 PIPE, BOILER WATER INLET 8X9XL250 ROHR, BOILERWASSEREINLASS 8X9XL250 TUYAU ENTREE EAU CHAUDIERE 8X9XL250 TUBO ENTRADA AGUA CALENTADOR 8X9XL250	
23	423016	FASCETTA BOILER 22/66 CLAMP, BOILER 22/66 SCHELLE, BOILER 22/66 BANDE DE SERRAGE CHAUDIERE 22/66 ABRAZADERA CALENTADOR 22/66	
24	209023	DOSAT.PERIST.BRILLANTANTE REG. PERISTALTIC DISPENSER PERISTALTISCHES DOSIERGERAET DOSEUR PERISTALTIQUE DOSIFIC. PERIST. ABRILLANTADOR REG.	
25	143005	TUBO PRESS.TP 5x11 (CASER/15/NL C4N) PIPE, PRESSURE SWITCH TP 5x11 (CASER/15/NL C4N) ROHR, DRUCKSCHALTER TP 5x11 (CASER/15/NL C4N) TUYAU PRESS.TP 5x11 (CASER/15/NL C4N) TUBO PRES. TP 5x11 (CASER/15/NL C4N)	
26	468201	RACCORDO CALZATUBO PER INIEZ.BRILL. CONNECTION ANSCHLUSS RACCORD EMPALME CALZATUBO PARA INYECC. ABRILL.	
27	468200	RACCORDO ACCIAIO INOX AISI316 1/8" STAINLESS STEEL CONNECTION AISI316 1/8" ANSCHLUSSSTUECK AUS NICHTROSTENDEM STAHL RACCORD EN ACIER INOXYDABLE 1/8" EMPALME ACERO INOX AISI316 1/8"	
28	143251	TUBETTO SILICONE 6X10 RACCORDI+GHIERE TUBE 6X10 FLASCHEN 6X10 TUBE 6X10 TUBITO SILICONA 6X10 EMPALMES+VIROLAS	
29	143194	TUBO 4x6 CRISTAL TRASPARENTE PIPE 4x6 CRISTAL, TRANSP. ROHR 4x6 CRISTAL, DURCHS. TUYAU 4x6 CRISTAL TRANSPARENT TUBO 4x6 CRISTAL TRASPARENTE	
30	121075	FILTRO ASPIR.INOX(775239-001) FILTER, SUCT.INOX (775239-001) FILTER, ABSAUG.INOX (775239-001) FILTRE ASPIR.INOX(775239-001) FILTRO ASPIR. INOX(775239-001)	



TAV. 6

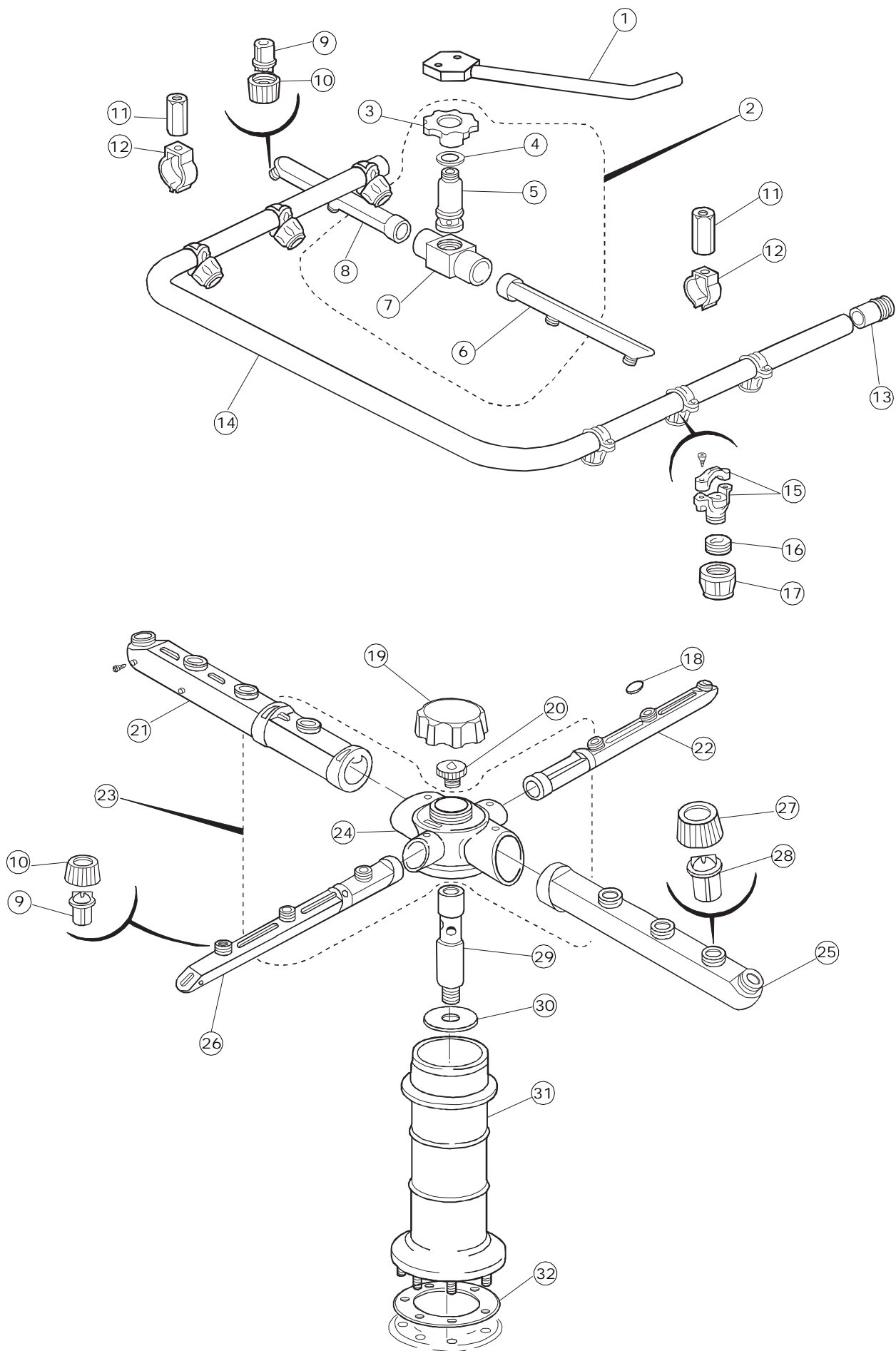


Pagina 4

1	984005	GRUPPO CAMPANA PRESSOST.35/40 PRESSURE SWITCH BELL 35/40 GLOCKE, DRUCKSCHALTER 35/40 ENS.BOITE PRESSOSTAT 35/40 GRUPO CAMPANA PRESOSTATO 35/40	
2	107005	CAMPANA PRESS. EB 35/40 PRESSURE SWITCH BELL EB 35/40 GLOCKE, DRUCKSCHALT. EB 35/40 BOITE PRESSOSTAT EB 35/40 CAMPANA PRES. EB 35/40	
3	437019	GUARNIZIONE CAMP. PRESS. V.M. GASKET, CAMP. PRESS. V.M. DICHTUNG, GLOCKE DRUCKSCH. V.M. JOINT BOITE PRESSOSTAT V.M. JUNTA CAMP. PRES. TORNILLO M.	
4	456020	OR 3050 R495 O-ring 3050 R495 O-Ring 3050 R495 OR 3050 R495 OR 3050 R495	
5	468029	RACCORDO CAMPANA PRESSOSTATO UNION, PRESSURE SWITCH BELL VERBINDUNGSST., DRUCKSCHALTERGLOCKE RACCORD BOITE PRESSOSTAT EMPALME CAMPANA PRESOSTATO	
6	142052	TROPPO PIENO 50/503 NM OVERFLOW 50/503 NM ÜBERLAUF 50/503 NM TROP-PLEIN 50/503 NM REBOSE 50/503 NM	
7	136023	PILETTA CURVA SCARICO 50/503 DRAIN, BENT 50/503 ABFLUSS, GEBOGEN 50/503 TUYAU DE VIDANGE COURB 50/503 PILETA CURVA DESCARGA 50/503	
8	437063	GUARNIZIONE PILETTA SCARICO 50 GASKET, DRAIN 50 DICHTUNG, ABFLUSS 50 JOINT TUYAU DE VIDANGE 50 JUNTA PILETA DESCARGA 50	
9	417081	DADO PLASTICA 1'- 1/4 NUT, PLASTIC 1'- 1/4 SCHRAUBENMUTTER, KUNST. 1'- 1/4 ECROU PLASTIQUE 1'- 1/4 TUERCA PLASTICO 1'- 1/4	
10	143178	TUBO SCARICO - 50 PIPE, DRAIN - 50 ABLASSROHR - 50 TUYAU VIDANGE - 50 TUBO DESCARGA - 50	
11	121052	FILTRO POMPA - 22/44 FILTER, PUMP - 22/44 FILTER, PUMPE - 22/44 FILTRE POMPE - 22/44 FILTRO BOMBA - 22/44	
12	478059	SUPPORTO FILTRO GRIGIO+PROLUNGA SUPPORT, FILTER GREY+EXTENSION HALTER, FILTER GRAU+VERLANGERUNG SUPPORT FILTRE GRIS+RALLONGE SOPORTE FILTRO GRIS+ALARGADOR	
13	437015	GUARNIZIONE FILTRO POMPA S651- GASKET, PUMP FILTER S651- DICHTUNG, PUMPENFILTER S651- JOINT FILTRE POMPE S651- JUNTA FILTRO BOMBA S651-	
14	127042	MANICOTTO ASPIRAZIONE 453 SLEEVE, SUCTION 453 MUFFE, ABSAUG. 453 MANCHON ASPIRATION 453 MANGUITO ASPIRACION 453	
15	142053	TROPPO PIENO P./SCARICO 50/503 NM OVERFLOW, DRAIN 50/503 NM ÜBERLAUF, ABLASS 50/503 NM TROP-PLEIN POMPE VIDANGE. 50/503 NM REBOSE P. /DESCARGA 50/503 NM	

16	121078	FILTRO POMPA SCARICO 463/503 FILTER, DRAIN PUMP 463/503 FILTER, ABLASSPUMPE 463/503 FILTRE POMPE VIDANGE 463/503 FILTRO BOMBA DESCARGA 463/503	
17	417081	DADO PLASTICA 1'- 1/4 NUT, PLASTIC 1'- 1/4 SCHRAUBENMUTTER, KUNST. 1'- 1/4 ECROU PLASTIQUE 1'- 1/4 TUERCA PLASTICO 1'- 1/4	
18	303019	ANELLO ELASTICO FILTRO P.S.503 RING, ELASTIC FOR DRAIN PUMP FILTER 503 SPANNRING FÜR ABLASSPUMPENFILTER 503 BAGUE ELASTIQUE FILTRE POMPE VIDANGE 503 ANILLO ELASTICO FILTRO P. S. 503	
19	136023	PILETTA CURVA SCARICO 50/503 DRAIN, BENT 50/503 ABFLUSS, GEBOGEN 50/503 TUYAU DE VIDANGE COURB 50/503 PILETA CURVA DESCARGA 50/503	
20	437063	GUARNIZIONE PILETTA SCARICO 50 GASKET, DRAIN 50 DICHTUNG, ABFLUSS 50 JOINT TUYAU DE VIDANGE 50 JUNTA PILETA DESCARGA 50	
21	143009	TUBO RADIOR 28X36 (IDRORAD) PIPE, RADIOR 28X36 (IDRORAD) ROHR, RADIOR 28X36 (IDRORAD) TUYAU RADIOR 28X36 (IDRORAD) TUBO RADIOR 28X36 (IDRORAD)	

5

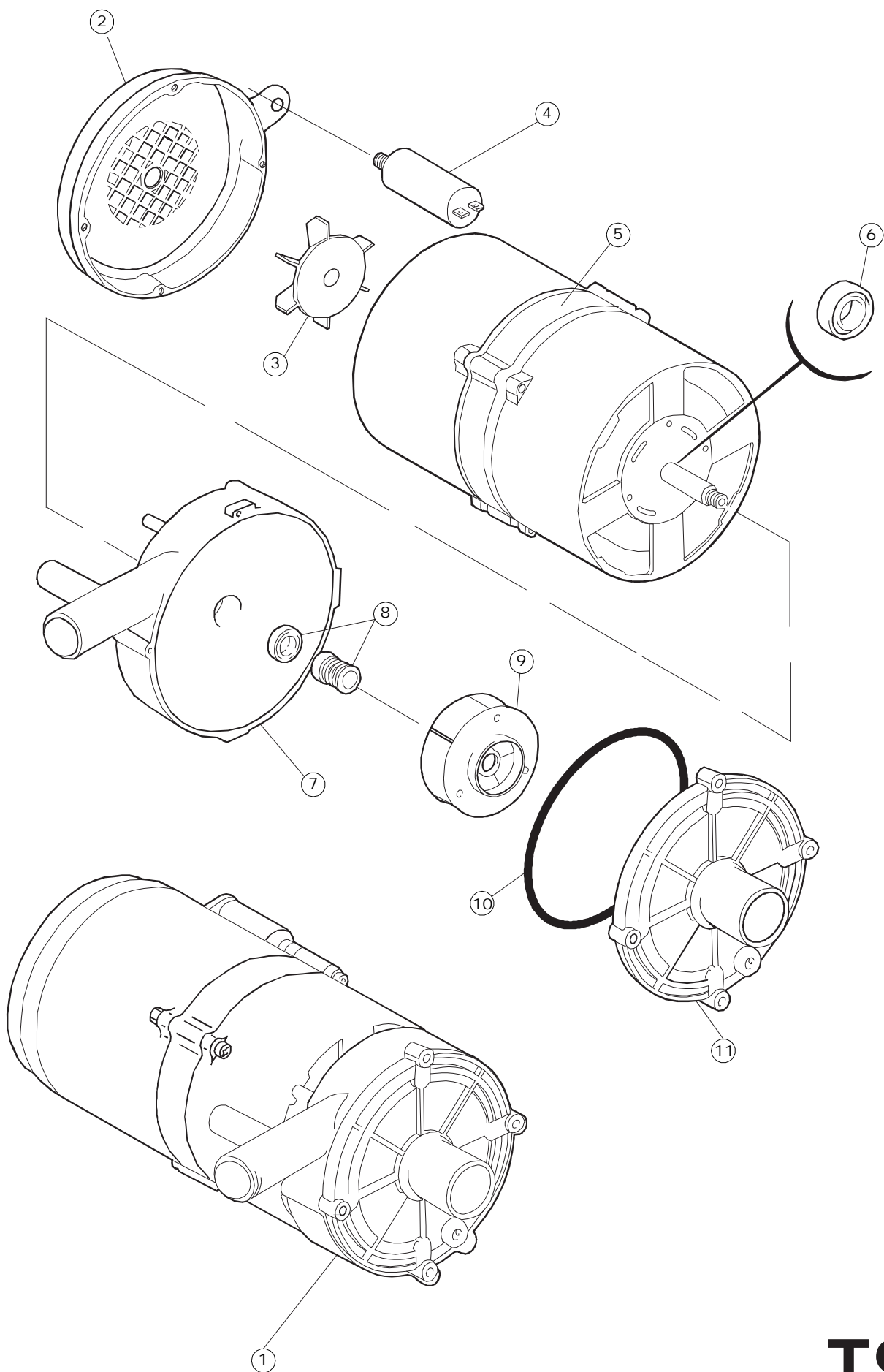


Pagina 5

1	115093	CONDOTTA INT. RISCIAQUO SUPERIORE INOX PIPE, INT UPPER RINSE LEITUNG, INN. - OB. NACHSPÜLENRE CONDUITE INT.RINC.SUP. CONDUCTO INT. ENJUAGUE SUPER.	
2	993031	GRUPPO RISC.SUP.4 SPRUZZI S621 RINSE-ARM ASSB., UPP.4 SPRAYS S621 SATZ, NACHSPÜLARM OB.4 SPRITZD. S621 ENS. RINC.SUP.4 JETS S621 GRUPO ENJUAGUE SOP. 4 CHORROS S621	
3	429008	GHIERA GUIDA E FISSA RISC.S621 RING NUT, GUIDE AND RINSE FIX.S621 GEWINDERING, FÜHRUNG UND BEF. NACHSPÜLEN S621 BAGUE GUIDE ET FIXE RINC.S621 VIROLA GUIA Y FIJA ENJUAGUE S621	
4	437008	GUARNIZIONE RISCIAQ.SUPERIORE GASKET, UPPER RINSE DICHTUNG, OB. NACHSPÜLEN JOINT RINCAGE SUPERIEUR JUNTA ENJUAGUE SUPERIOR	
5	325001	PERNO PETTINE RISCIAQUO 21/31 PIN, RINSE COMB 21/31 ZAPFEN, NACHSPÜLKAMM 21/31 PIVOT PEIGNE RINCAGE 21/31 PERNO PEINE ENJUAGUE 21/31	
6	106036	BRACCIO RISC. DX GRIGIO S621 RINSE ARM, RH GREY S621 NACHSPÜLARM, RECHTS GRAU S621 BRAS RINC., DROITE GRIS S621 BRAZO ENJUAGUE DCHA GRIS S621	
7	129002	CORPO PETTINE RISC.SUP. S621 RINSE-ARM SUPPORT COMB, UPPER S621 GEHAUSE, NACHSPÜLKAMM, OBEN S621 CORPS PEIGNE RINC.SUP. S621 CUERPO PEINE ENJUAGUE SOP. S621	
8	106035	BRACCIO RISC. SX GRIGIO S621 RINSE ARM, LH GREY S621 NACHSPÜLARM, LINKS GRAU S621 BRAS RINC. GAUCHE GRIS S621 BRAZO ENJUAGUE IZDA GRIS S621	
9	140007	SPRUZZO RISCIAQUO S621-3-31- SPRAY S621-3-31- SPRITZ S621-3-31- JET RINCAGE S621-3-31- ROCIADOR ENJUAGUE S621-3-31-	
10	429006	GHIERA RISCIAQUO S621-3-31-3 RING NUT, RINSE S621-3-31-3 GEWINDERING, NACHSPÜLEN S621-3-31-3 BAGUE RINCAGE S621-3-31-3 VIROLA ENJUAGUE S621-3-31-3	
11	419030	DISTANZIERE PETTINE SUPER. 453 SPACER, UPPER COMB 453 ABSTANDSSTÜCK, OB.KAMM 453 ENTRETOISE PEIGNE SUP. 453 DISTANCIADOR PEINE SUPER. 453	
12	449045	MOLLETTA FISSA LAVAGGIO SUP. SPRING, FIX, UPP.WASH. FEDER, FEST OB.SPÜL. RESSORT FIXE LAVAGE SUP. RESORTE FIJA LAVADO SOP.	
13	441010	INSERTO TENUTA D18 COLL.S621- INSERT, SEAL D18 COLL.S621- EINSATZ, DICHT. D18 SAMM.S621- INSERT ETANCHEITE D18 COLL.S621- ELEMENTO ESTANQ. D18 COLECT. S621-	
14	990082	GRUPPO LAVAGGIO SUPERIORE 453 WASH.-ARM ASSB.,UPP. 453 SATZ, SPÜLARM,OB. 453 ENS. LAVAGE SUP. 453 GRUPO LAVADO SUPERIOR 453	
15	110010	COLLARE PORTA SPRUZZO GRIGIO COLLAR FOR NOZZLE-MOUNTING, GREY HALSBAND FÜR DÜSE GRAU COLLIER PORTE-GICLEUR GRIS COLLAR PUERTA RODIADO GRIS	

16	119003	ELICA FILETTATA LAVAGGIO THREADED IMPELLER, WASHING FLÜGELRAD MIT GEWINDE, SPÜLEN HELICE FILETEE LAVAGE HELICE FILETEADA LAVADO	
17	140010	SPRUZZO LAVAGGIO SUP. S621-3- SPRAY, UPP. S621-3- SPRITZ, OB. S621-3- JET LAVAGE SUP. S621-3- ROCIADOR LAVADO SOP. S621-3-	
18	499009	PASTICCA INOX INOX TABLET INOX -TABLETTE PASTILLE INOX PASTILLA INOX	
19	447128	MANOPOLA FISSA LAVAGGIO GRIGIA KNOB, FIX, WASH. GREY DREHKNOPF, FEST SPÜL. GRAU POIGNEE FIXE LAVAGE GRISE MANIJA FIJA LAVADO GRIS	
20	454002	NOTTOLINO 21/31 PAWL 21/31 KLINKE 21/31 CLIQUET 21/31 TRINQUETE 21/31	
21	106106	BRACCIO LAV.SX.+ VITE GR.EB/F.TG. WASH.ARM,LH+ SCREW GR.EB/F.TG. SPÜLARM,LINKS+ SCHRAUBE GR.EB/F.TG. BRAS LAV.GAUCHE+ VIS GR.EB/F.TG. BRAZO LAV. IZDA. + TORNILLO GR. EB/F.	
22	106107	BRACCIO RISCIAQUO DX.GR.EB/F.TG. RINSE ARM, RH GR.EB/F.TG. NACHSPÜLARM, RECHTS GR.EB/F.TG. BRAS RINCAGE, DROITE GR.EB/F.TG. BRAZO ENJUAGUE DCHA. GR. EB/F. TG.	
23	990097	GRUPPO LAV./RISC.INF.E45/46 EB. WASH./RINSE-ARM ASSB.,LOW.E45/46 EB. SATZ, SPÜL./NACHSPÜLARM,UNTEN E45/46 EB. ENS. LAV./RINC.INF.E45/46 EB. GRUPO LAV. /ENJUAGUE INF. E45/46 EB.	
24	129039	CORPO LAV./RISC.INF.353/403RAL7012 WASH-RINSE-ARM ASSB., LOWER 353/403RAL7012 GEHAUSE, SPÜL-NACHSPÜLEN UNTEN 353/403RAL7012 CORPS LAV./RISC.INF.353/403RAL7012 CUERPO LAV. /ENJUAGUE INF.	
25	106009	BRACCIO LAVAGGIO DX S621-3 WASHING ARM, RH S621-3 SPÜLARM, RECHTS S621-3 BRAS LAVAGE, DROITE S621-3 BRAZO LAVADO DCHA S621-3	
26	106094	BRACCIO RISC.SX.tipo A 453/463 RINSE ARM, LH type A 453/463 NACHSPÜLARM, LINKS Typ A 453/463 BRAS RINC., GAUCHE type A 453/463 BRAZO ENJUAGUE IZDA. tipo A 453/463	
27	429007	GHIERA LAVAGGIO S621-3-31-3 RING NUT, WASHING S621-3-31-3 GEWINDERING, SPÜLEN S621-3-31-3 BAGUE LAVAGE S621-3-31-3 VIROLA LAVADO S621-3-31-3	
28	140020	SPRUZZO LAVAGG. GRIGIO 11/353/403 SPRAY, GREY 11/353/403 SPRITZ, GRAU 11/353/403 JET LAVAGE GRIS 11/353/403 ROCIADOR LAVADO GRIS 11/353/403	
29	327006	PERNO LAV.RISC.INFER.21/453 PIN, LOW.WASH/RINSE 21/453 ZAPFEN, UNT. SPÜL/NACHSPÜLEN 21/453 PIVOT LAV.RINC.INFER.21/453 PERNO LAV. ENJUAGUE INFER. 21/453	
30	199034	DISCO PARZIAL.ACQUA 40/400F DISC, WATER FLOW REDUCER 40/400F DROSSELSCHEIBE, WASSER 40/400F DISQUE ETRANGL. EAU 40/400F DISCO PARCIAL. AGUA 40/400F	

31	115094	CONDOTTO CENTR.INFER.453 * TORNITO * CENTR.PIPELINE - LOWER 453 * TORNITO * ZENTR.LEITUNG - UNTEN 453 * TORNITO */GEDREHT CONDUITE CENTR.INF.453 * TOURNE * CONDUCTO CENTR. INFER. 453 * TORNEADO *	
32	437014	GUARNIZIONE COND.INFER.S850 GASKET, LOWER MANIFOLD S850 DICHTUNG, UNT.SAMMELLEITUNG S850 JOINT COND.INF.S850 JUNTA COND. INFER. S850	



T.90

Pagina 6

1	130122	POMPA T90 HP0.45 220/240-50453 PUMP T90 HP0.45 220/240-50453 PUMPE T90 HP0.45 220/240-50453 POMPE T90 HP0.45 220/240-50453 BOMBA T90 HP0. 45 220/240-50453	
2	313013	COPRIVENTOLA T-80/T-90 FAN COVER, T-80/T-90 GEBL.HAUBE, T-80/T-90 COUVRE-VENT. T-80/T-90 CUBREVENTILADOR T-80/T-90	
3	335008	VENTOLA T60 FAN T60 GEBL. T60 VENT. T60 ROTOR T60	
4	206001	CONDENSATORE DA 8 mF CONDENSER - 8 mF KONDENSATOR - 8 mF CONDENSATEUR DE 8 mF CONDENSADOR DE 8 mF	
5	315021	FLANGIA DISTANZIERE POMPA T-90 FLANGE, PUMP SPACER T-90 FLANSCH, PUMPENABSTANDSTÜCK T-90 BRIDE ENTRETOISE POMPE T-90 BRIDA DISTANCIADOR BOMBA T-90	
6	314001	CUSCINETTO 6201/2Z BEARING 6201/2Z LAGER 6201/2Z PALIER 6201/2Z COJINETE 6201/2Z	
7	315020	FLANGIA T90 FLANGE, T90 FLANSCH, T90 BRIDE T90 BRIDA T90	
8	141002	TENUTA MECCANICA ROTANTE D 12 SEAL, MECH., REVOLVING D 12 DICHTUNG, MECH., ROTIER. D 12 JOINT MECANIQUE PIVOTANT 12 SELLO MECANICO GIRAT. D 12	
9	124043	GIRANTE POMPA T-90 D80 PUMP IMPELLER T-90 D80 LAUFRAD, PUMPE T-90 D80 ROUE POMPE T-90 D80 ROTOR BOMBA T-90 D80	
10	456038	OR 75X2.5 METRICO(POMPA T-60) O-ring 75X2.5 METRIC(PUMP T-60) O-Ring 75X2.5 METRISCH(PUMPE T-60) OR 75X2.5 METRIQUE(POMPE T-600) OR 75X2. 5 METRICO(BOMBA T-60)	
11	116024	CORPO POMPA T-90 PUMP SHELL, T-90 PUMPENGEHAUSE, T-90 CORPS POMPE T-90 CUERPO BOMBA T-90	