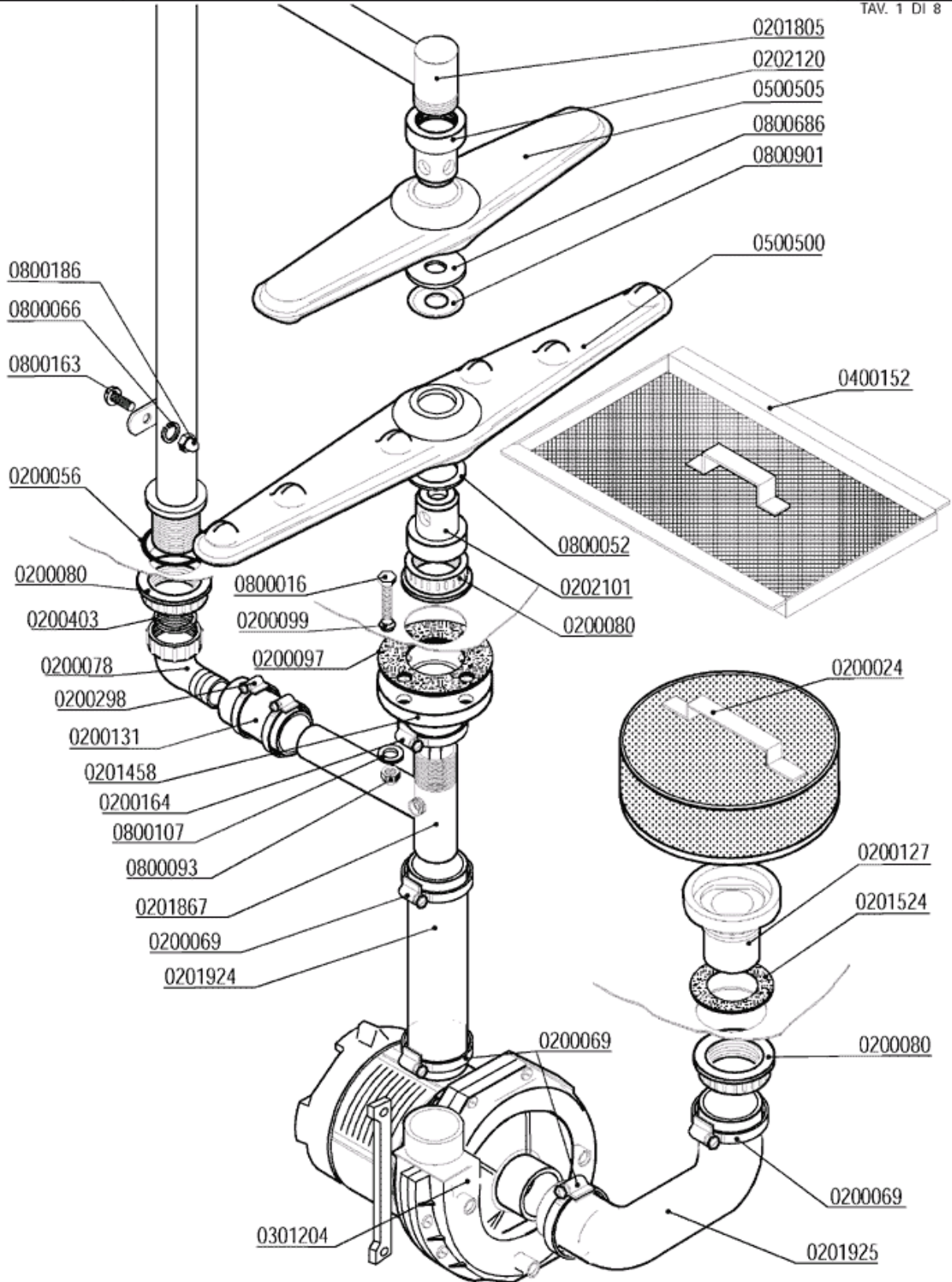
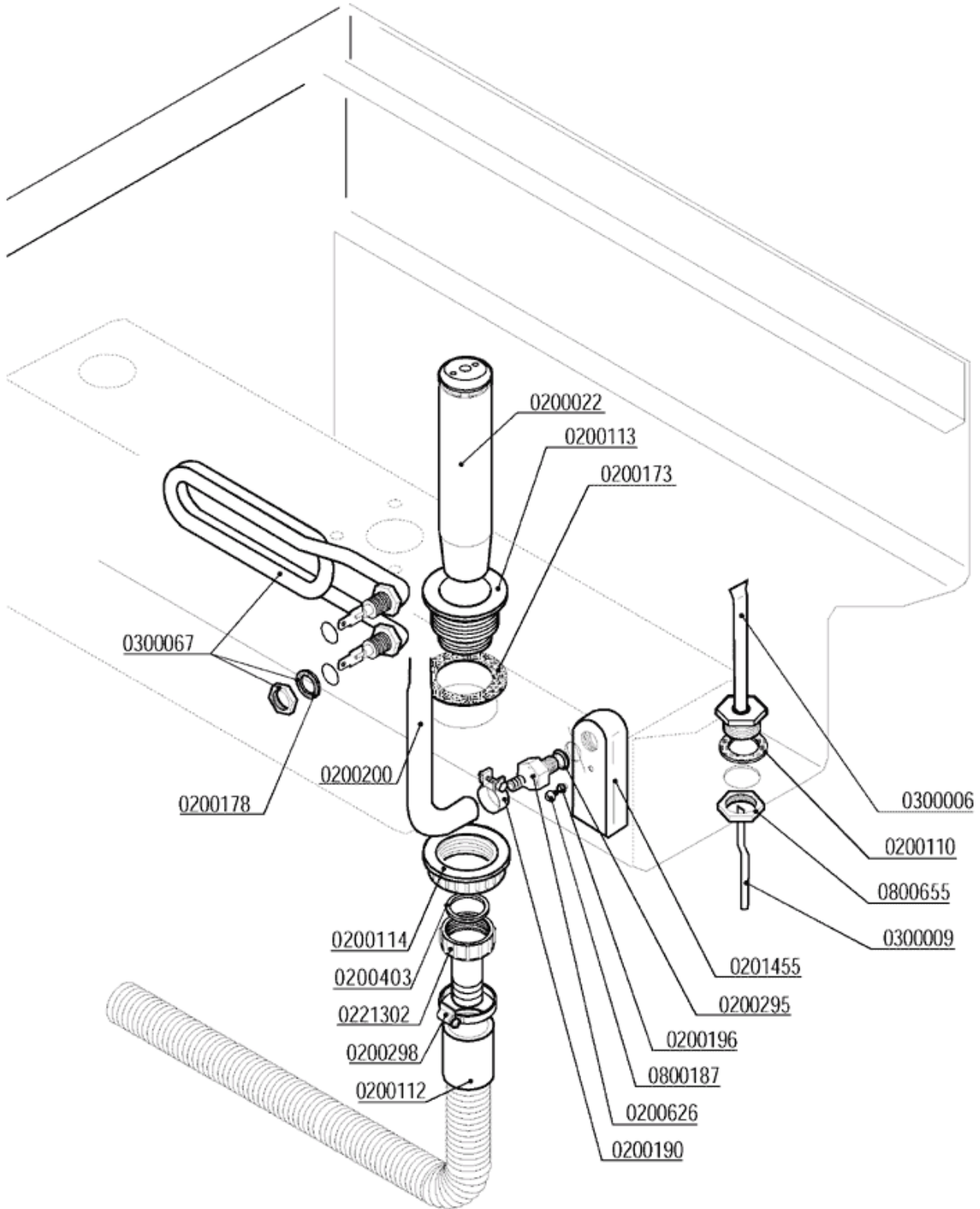


- 1 - WASH COMPONENTS
- 2 - TANK COMPONENTS
- 3 - RINSE COMPONENTS
- 4 - CONTROL BOX
- 5 - LIFTING COMPONENTS
- 6 - HOOD
- 7 - DRAIN PUMP PARTS
- 8 - DISPENSERS



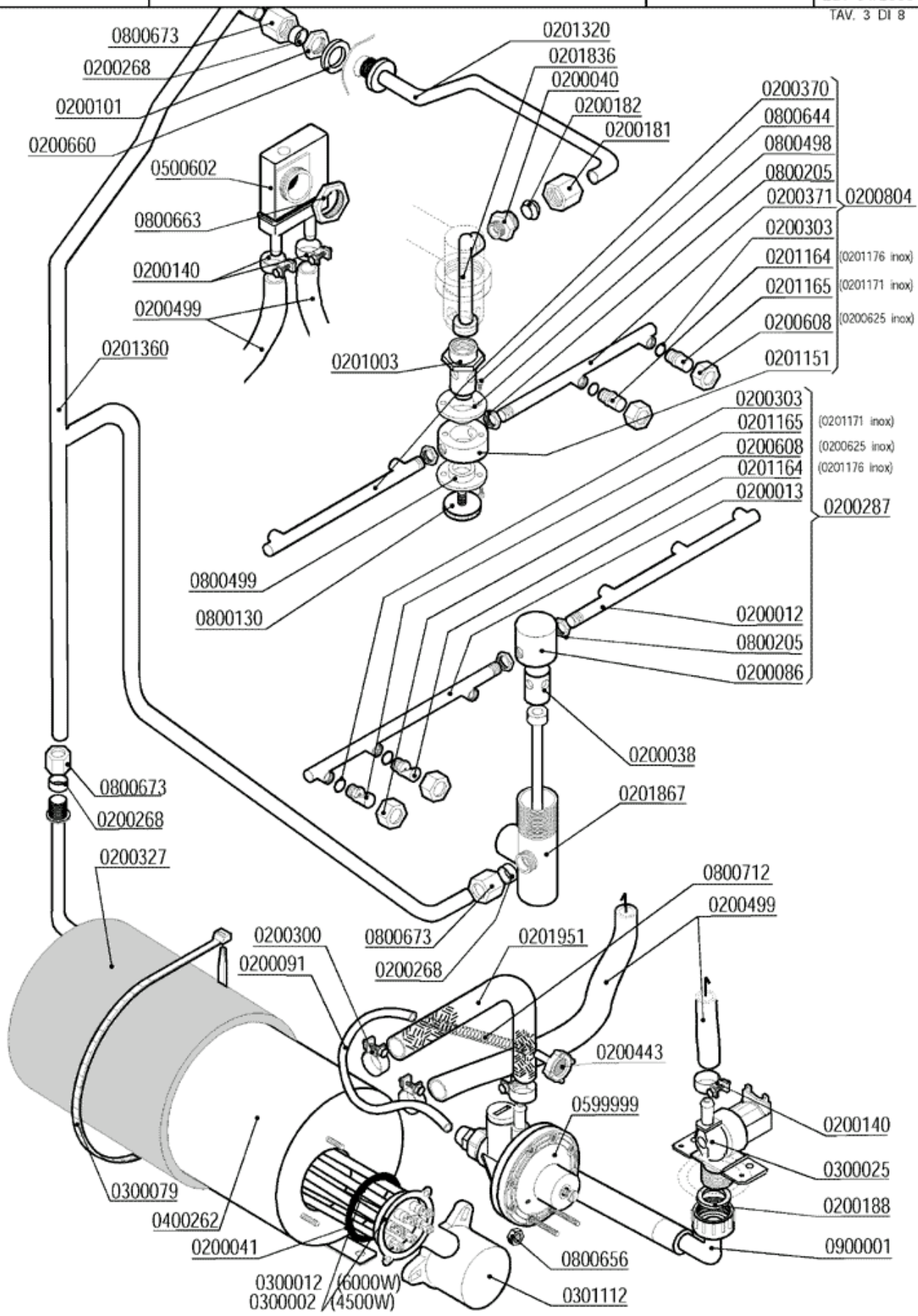
## 1 - WASH COMPONENTS

CODE	DESCRIPTION
0200024	FILTER D.165
0200056	OR 144 DRAINS 1"¼
0200069	CLAMP 40-60
0200078	DRAIN UNION 1"1/4X32 2121 RIF.21+22 8121
0200080	RING NUT 1"¼ 2190 PA
0200097	RUBBER JOINT 105X45X3 4H
0200099	NYLTITE JOINT M8
0200127	FILTER FLANGE 033 REF.6
0200131	RADIOR SLEEVE 30X100 F 1854-94
0200164	CLAMP 32-50
0200298	CLAMP 25-40
0200403	FLAT JOINT 38X27X2 3794
0201458	COUPLING FLANGE 1"¼ D.110
0201524	RUBBER JOINT 68X41X2 6310
0201805	WASHING ROD L25-L20VS 5466
0201867	WASH AND RINSE MANIFOLD FOR L21
0201924	PRESSER SLEEVE L20.VS 40XH.230
0201925	SUCTION SLEEVE L20/21VS 6136
0202101	WASH ARM BOSS D.18 2H NSF
0202120	WASH ARM BOSS D.22 4H NSF
0301204	WASH PUMP HP 0,75 ZF320 LGB 230/1/50
0400152	STRAINER DRAWER L21-015/24L-L25 1812-94
0500500	WASH ARM 540/6H NSF
0500505	WASH ARM 380/6H NSF
0800016	SCREW TEM8X40 STAINLESS STEEL
0800052	TEFLON WASHER 57X42X2
0800066	S.S. GROWER WASHER
0800093	SELFLOCKING GALVANIZED NUT M8
0800107	BRASS FLAT RING
0800163	S.S.POELIER SCREW M6X10
0800186	S.S. CAP NUT M6
0800686	NYLON WASHER 50X22.2X2 2782-96
0800901	WASH ARM S.S.WASHER 50X22,2 2781



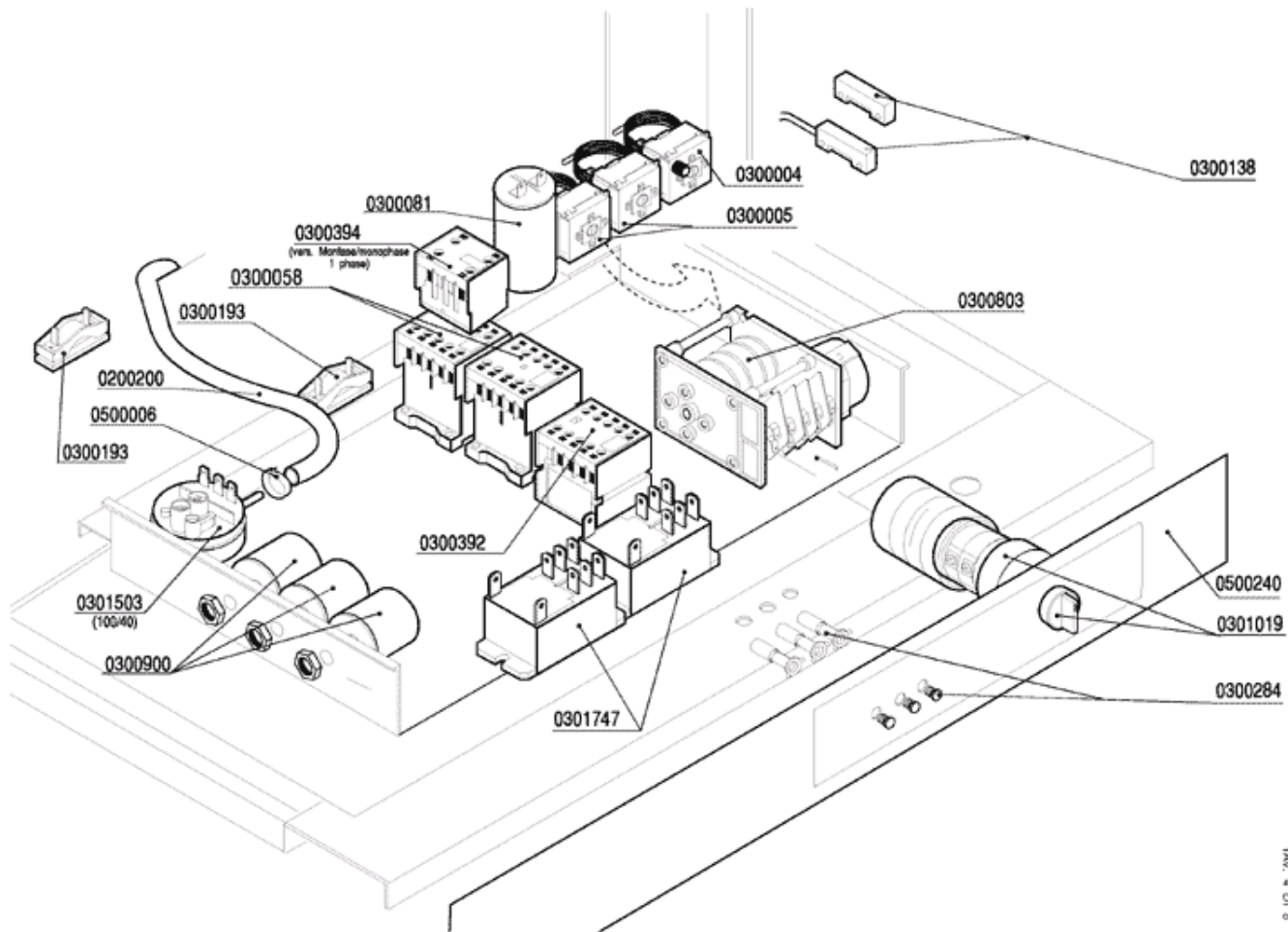
## 2 - TANK COMPONENTS

CODE	DESCRIPTION
0200022	OVERFLOW 45X215 3424
0200110	FLAT JOINT 31X21X2
0200112	DRAIN HOSE D.28 C/317
0200113	DRAIN 007 REF.18
0200114	NUT 2" DRAIN PLUG 2190
0200173	RUBBER JOINT 75X58X2 REF.19
0200178	FLAT JOINT 19X12X2 REF.121
0200190	CLAMP 13X15
0200196	NYLTITE JOINT M3
0200200	LUG HOSE FOR PRESSURE SWITCH 4537
0200295	NYLTITE JOINT M12
0200298	CLAMP 25-40
0200403	FLAT JOINT 38X27X2 3794
0200626	RUBBER PIPE FITTING FOR AIR TRAP ELLE
0201455	FRONT AIR TRAP L=85MM
0221302	STRAIGHT DRAIN UNION 1"¼X32 PA
0300006	S.S.THERMOSTAT SHEATH
0300009	CLUTCH SPRING REF.134
0300067	TANK ELEMENT 2000W
0800187	S.S. SCREW ATFTCTCR 3,9X9,5
0800655	NICKEL-PLATED BRASS NUT ½"



### 3 - RINSE COMPONENTS

CODE	DESCRIPTION
0200012	RH RINSE ARM 230MM BASKET 50
0200013	LH RINSE ARM 230MM BASKET 50
0200038	S.S. PIVOT FOR LOWER RINSE ARM 1205
0200040	S.S. RINSE NIPPLE 3/8"-1/4"
0200041	OR 6225 RINSETANK ELEMENT
0200086	RINSE ARM BOSS 1206
0200091	CRYSTAL HOSE PP 4X6
0200101	S.S. NUT 3/8" GAS 55-83
0200140	CLAMP 17X19
0200181	S.S. BICONIC NUT 3/8"X12 1040-91
0200182	BRASS BICONIC 3/8"X12 1311-92
0200188	RUBBER SEAL 25X16X2
0200268	BICONIC NUT TEFLON 3/8X12
0200287	COMPLETE RINSE ARM FOR 50X50 SIZE RACK
0200300	PIPE CLAMP 15X17
0200303	OR 2021 RINSE NOZZLES
0200327	RINSETANK INSULATION 5LT.D. 110 2725
0200370	RH RINSE ARM 200MM 45
0200371	LH RINSE ARM 200MM 45
0200443	RINSE AID PUMP BOTTOM FILTER
0200499	RUBBER HOSE 12X19,5 FOOD QUALITY
0200608	RINSE NOZZLE FIXING RING NUT OT/NI 2611
0200625	S.S.NOZZLE FIXING RING NUT 2611
0200660	RING FOR EXTERNAL RINSE 27X17X3-L20/25
0200804	UPPER RINSE ARM EFFE-ELLE
0201003	UPPER RINSE PIVOT 2608/96 NSF
0201151	RINSE ARM ROTATING BOSS 2142/95
0201164	RINSE NOZZLE HOLE 1,2 D.2612 NSF
0201165	RINSE NOZZLE HOLE 1,5 D.2609 NSF
0201171	S.S.RINSE NOZZLE HOLE 1,5 2609
0201176	STAINLESS STEEL RINSE JET / HOLE 1,2
0201320	UPPER RINSE ROD L20/L25 DVGW 2748
0201360	RINSE WATER PIPE FOR L21
0201836	UPPER WASH ARM MANIFOLD ELLE 4294
0201867	WASH AND RINSE MANIFOLD FOR L21
0201951	S.S./SILICONE DOS.PUMP/BOILER HOSE L21
0300002	S.S.ELEMENT 4500W/3 FLANGE
0300012	ELEMENT 6000W/3 S.S.FLANGE
0300025	SIMPLE SOLENOID VALVE
0300079	CLAMP FOR RINSETANK INSULATION
0301112	COVER FOR HEATER 1 ELEMENT 3X6MM
0400262	RINSETANK 5LT D.110 R.E. 2756
0500602	VACUUM BREAKER VALVE DVGW MR TECNO
0599999	RINSE AID PUMP TYPE 3000
0800130	UPPER ROTATING RINSE ARM SCREW
0800205	S.S.NUT M12X1 724 E16S5
0800498	LB RINSE ARM BUSH D.16.2 2143
0800499	LB RINSE ARM BUSH D.13.3 2606
0800644	S.S. SCREW TPSTCR M3X8
0800656	BRASS HEXAGONAL NUT M6
0800663	NICKEL-PLATED BRASS NUT PG21
0800673	BRASS BICONIC NUT
0800712	S.S.SPRING 160MM RINSE AID PUMP HOSE
0900001	RUBBER LOAD HOSE 90°C VDE



**lamber**

QUADRO ELETTRICO - TABLEAU ELECTRIQUE  
CONTROL BOX - SCHALT-TAFEL - CABA ELECTRICA

MOD.

**L21**

TAV.

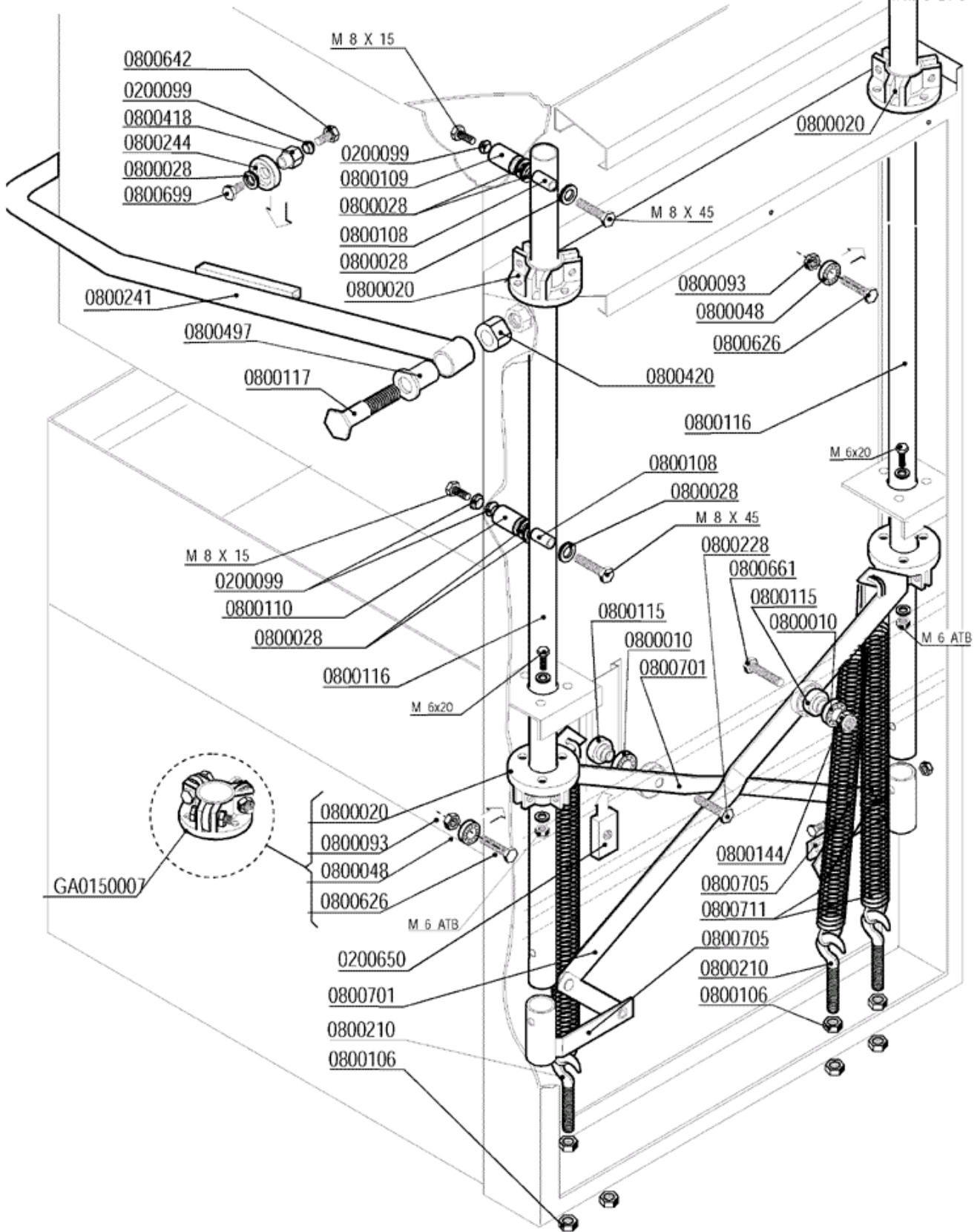
**4 H**

ED. 04/2003  
TAV. 4 DI 8



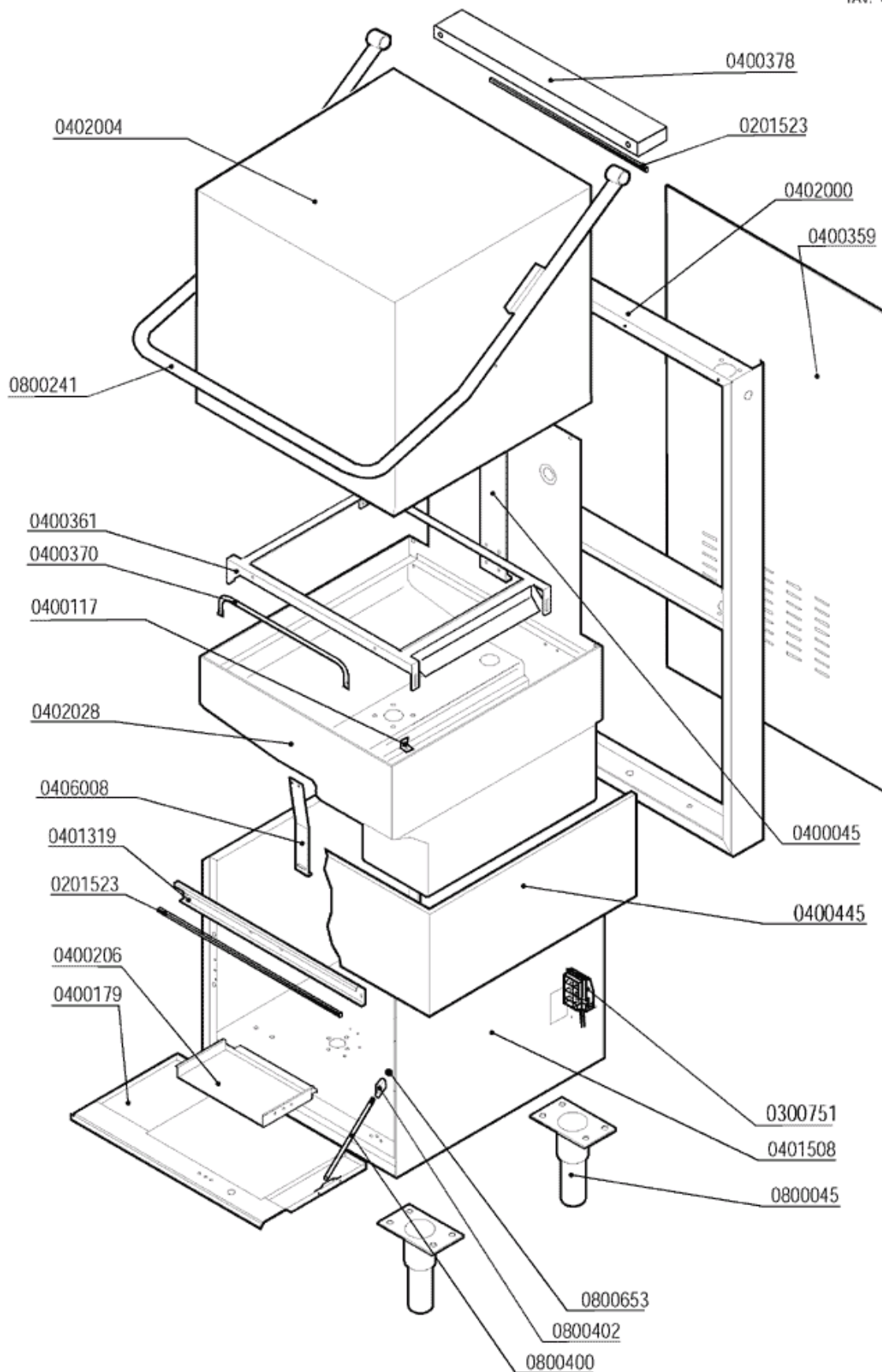
#### 4 - CONTROL BOX

CODE	DESCRIPTION
0200200	LUG HOSE FOR PRESSURE SWITCH 4537
0300004	SAFETY THERMOSTAT 1NC/LS1
0300005	THERMOSTAT 90°C 1NONC BOILER IMIT
0300058	CONTACTOR 16A 4NO LC1-K0610M7
0300081	CAPACITOR 12,5 MF
0300138	MAGNETIC SWITCH A81 1NO
0300193	CABLE FIXER PA 268 + SCREW 3,5X25
0300284	GREEN LED D.6
0300392	CONTACTOR 16A 3NO1NC AUX LSO7.01 AEG
0300394	AUXILIARY CONTACT LA1KN22 TELEMEC.
0300803	TIMER 2-3-4 MINUTES
0300900	ANTIJAMMING FILTER 411135001
0301019	*****REPLACED BY 0301025*****
0301503	LEVEL SWITCH 100/40
0301747	*****REPLACED BY 0301745 RELAY*****
0500006	CLAMP CLIC 11,5-13,5
0500240	PLATE PCB L21 3 TIMES LAMBER



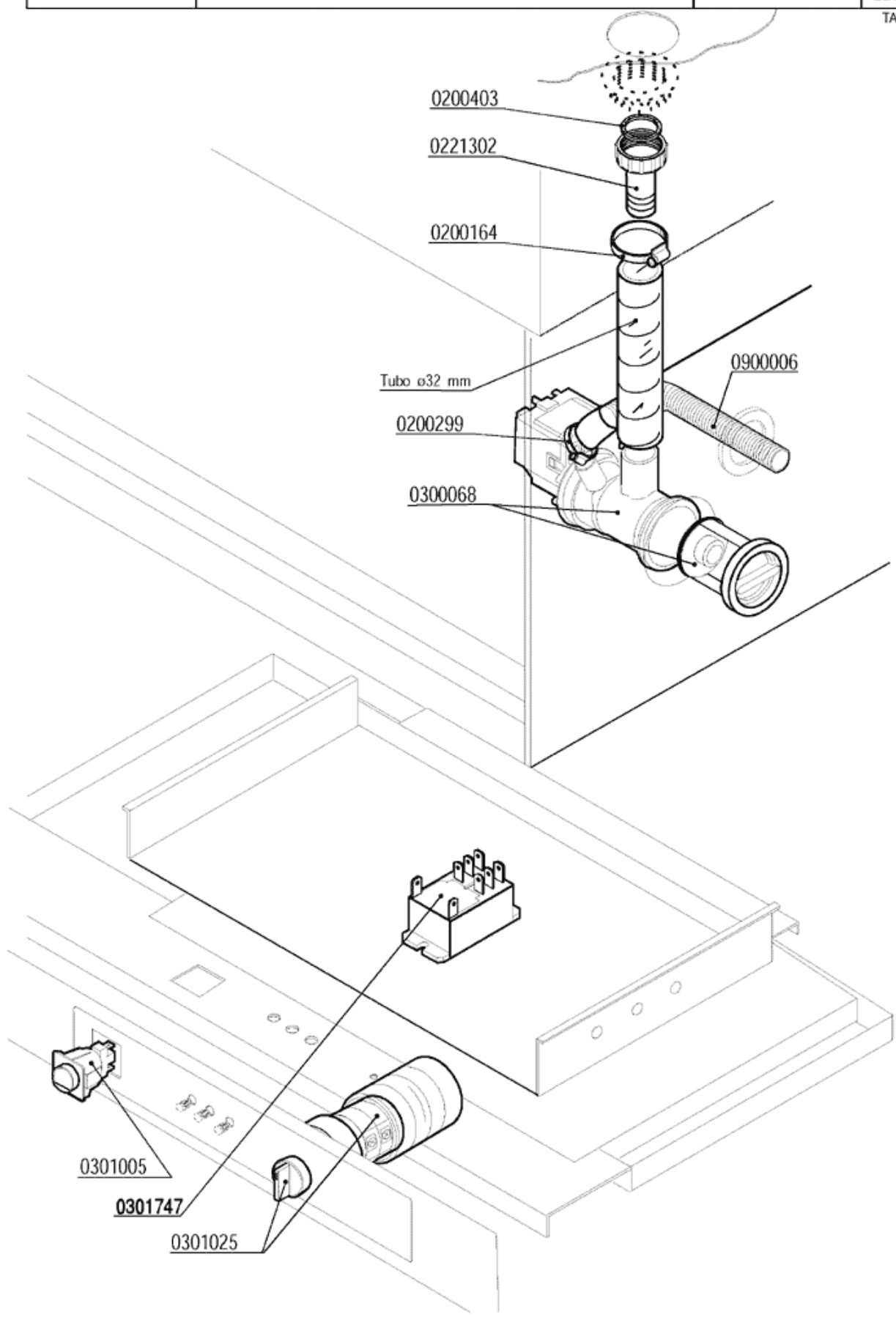
## 5 - LIFTING COMPONENTS

CODE	DESCRIPTION
0200099	NYLTITE JOINT M8
0200650	PLATE FE-ZN 20X10X40 M10 ELLE 5024
0800010	BEARING FOR LIFTING ROD
0800020	BEARING CAGE 010 REF.240
0800028	S.S.FLAT WASHER D.8
0800048	BEARING RDP 23/9,4/8 FOR LIFTING
0800093	SELFLOCKING GALVANIZED NUT M8
0800106	GALVANIZED NUT M10
0800108	LIFTING HOSE INSERT 8X13X31 252-83
0800109	BRASS SPACER FOR HOOD M8X16X31 ELLE 5091
0800110	SPACER OT M8X16X36 CAPOT ELLE 5091
0800115	LIFTING ROD PIN
0800116	LIFTING HOSE ELLE 143
0800117	BOLT FOR U HANDLE 015/24L
0800144	SELFLOCKING GALVANIZED NUT M10
0800210	TIE SCREW WITH HOOK M10X60
0800228	SCREW FE 8.8 M10X35
0800241	S.S. HANDLE FOR L21
0800244	ROLLER FOR U HANDLE PP 35X12 856-89
0800418	BEARING SPACER FOR BIG HANDLE M8 ELLE
0800420	SPACER FOR U HANDLE
0800497	HANDLE PIVOT BUSH
0800626	S.S. SCREW
0800642	S.S.SCREW TEM8X10
0800661	SCREW FE-ZN 8.8 M10X40
0800699	S.S.SCREW TEM8X10 HEAD H.2,2
0800701	LIFTING ROD L20-21 1214
0800705	LIFTING SUPPORT L20 4610
0800711	HOOD SPRING L23...L25 LONG HOOK
GA0150007	BEARING CAGE GROUP ELLE



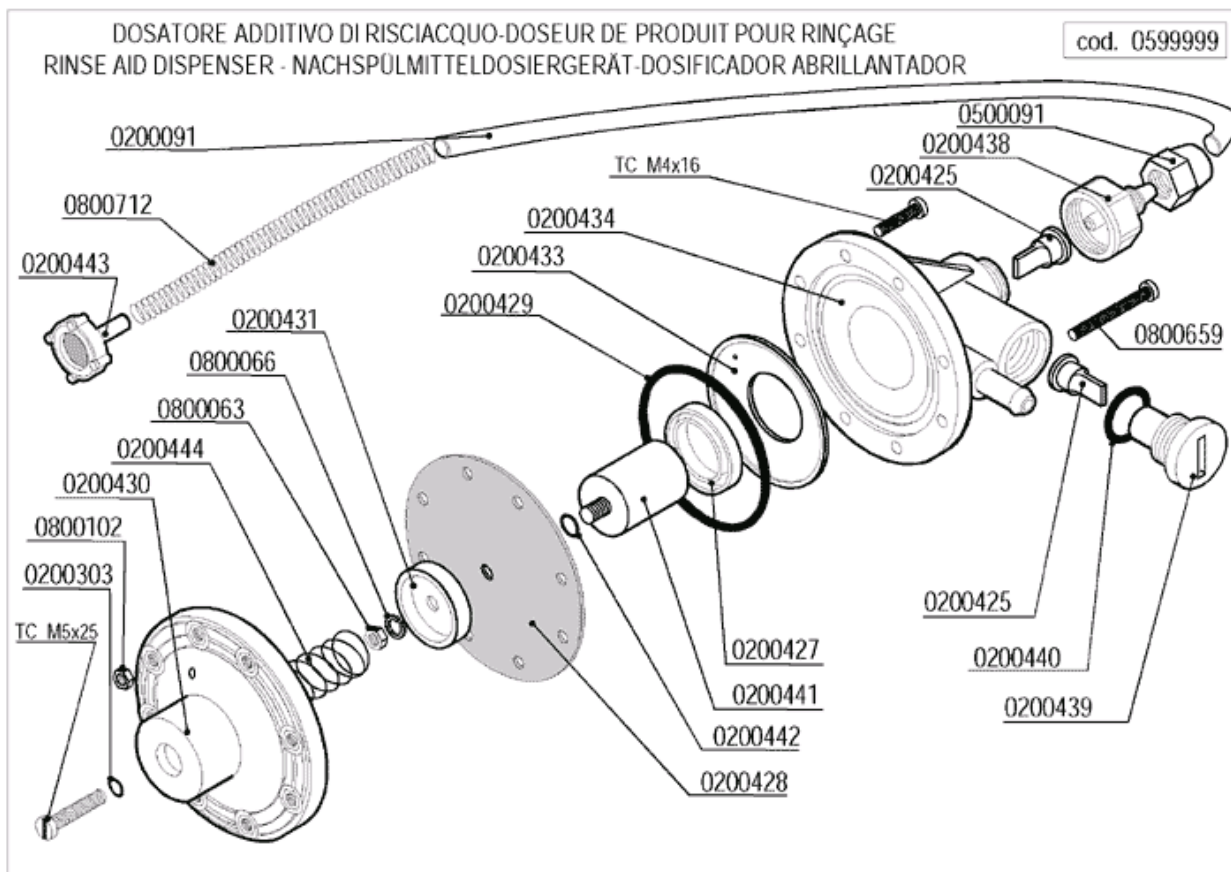
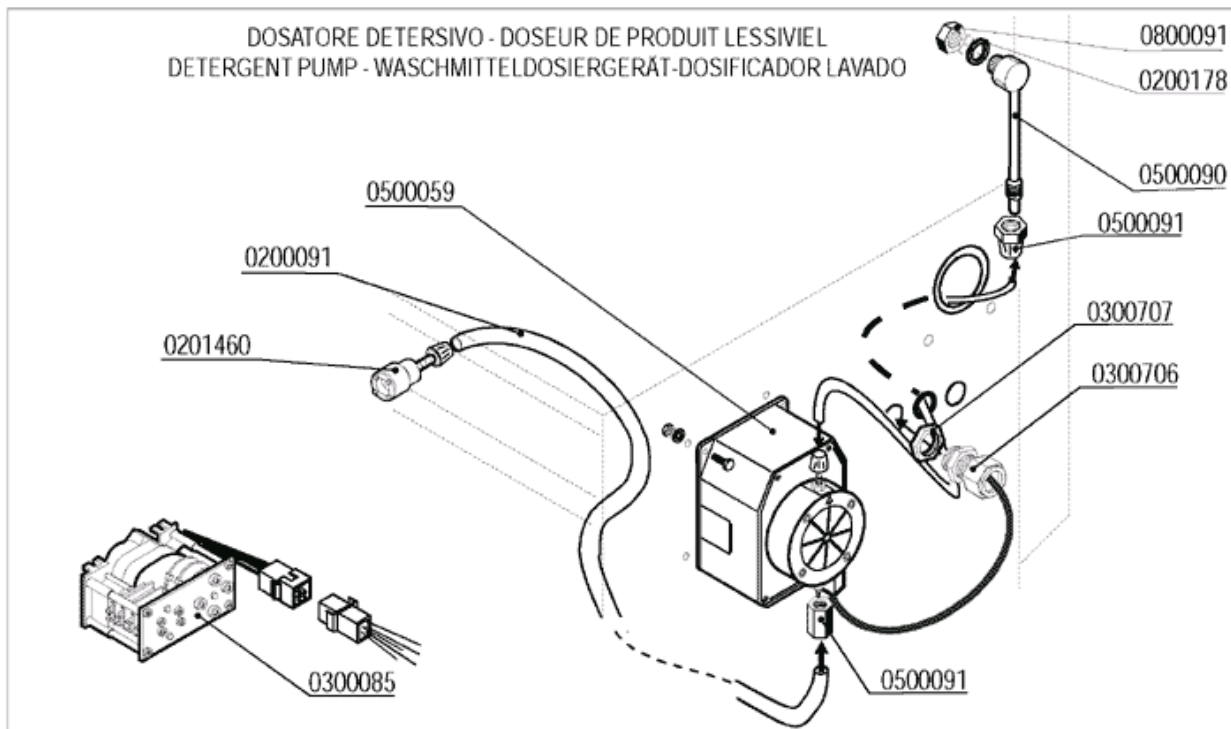
## 6 - HOOD

CODE	DESCRIPTION
0201523	ADHESIVE SECTION POR 15X8
0300751	EXTERNAL WIRING CLAMP PA223 6 POLES
0400045	WASH+RINSE ARMS SUPPORT PASS THROUGH DW
0400117	RACK SLIDE SUPPORT ELLE 2062/94
0400179	FRONT/SWITCH PANEL L21 3 TIMES
0400206	LOOM PLATE EFFE 2198
0400359	BACK PANEL FOR L20-L21
0400361	RACK SLIDE FOR L20-L21
0400370	BASKET LOCK 2080
0400378	COVER PANEL FOR L20/L21 HOOD
0402000	COLUMN L20/L21
0402004	LIFTING HOOD L20/21 2772
0406008	TANK-MAGNET BEARING
0800045	S.S.FOOT 2"X160 100X85X2,5
0800241	S.S. HANDLE FOR L21
0800400	DOOR TIE ROD M5X305 795
0800402	DOOR TIE ROD STOPPER
0800653	S.S. SELFLOCKING NUT M5



## 7 - DRAIN PUMP PARTS

CODE	DESCRIPTION
0200164	CLAMP 32-50
0200299	CLAMP 20-32
0200403	FLAT JOINT 38X27X2 3794
0221302	STRAIGHT DRAIN UNION 1"¼X32 PA
0300068	DRAIN PUMP 30W 290886 ASK/CEMA
0301005	GREEN SWITCH 2NONC DRAIN PUMP
0301025	SWITCH F85-01-L21
0900006	DRAIN PUMP OUTLET HOSE D.19.5





## 8 - DISPENSERS

CODE	DESCRIPTION
0200091	CRYSTAL HOSE PP 4X6
0200178	FLAT JOINT 19X12X2 REF.121
0200303	OR 2021 RINSE NOZZLES
0200425	RINSE AID PUMP VALVE COM3000
0200427	MIN RING VITON RINSE AID PUMP 3000
0200428	RINSE AID PUMP MEMBRANE MOD.3000
0200429	OR 3218 RINSE AID PUMP MOD.3000
0200431	GUIDE WASHER RINSE AID SPRING 3000
0200433	RINSE AID PUMP INTERNAL GASKET
0200434	RINSE AID PUMP BODY MOD.3000
0200438	RINSE AID PUMP SUCTION UNION
0200439	VALVE BEARING PLUG FOR RINSE AID PUMP
0200440	OR JOINT FOR RINSE AID PUMP
0200441	COMPLETE RAM KIT RINSE AID PUMP 3000
0200442	OR 2025 RINSE AID PUMP 3000
0200443	RINSE AID PUMP BOTTOM FILTER
0201460	S.S.DETERGENT PUMP FILTER
0300085	TIMER 60" DETERGENT PUMP 1CF1CR
0500059	DETERGENT PUMP PK/IP 04-05 220 ETATRON
0500090	S.S.DETERGENT INJECTOR
0500091	DETERGENT INJECTOR BRASS NUT 2102
0599999	RINSE AID PUMP TYPE 3000
0800063	S.S.NUT M6
0800066	S.S. GROWER WASHER
0800091	S.S. NUT M12
0800102	STAINLESS STEEL NUT M4
0800659	S.S.SCREW TCTCR M4X40
0800712	S.S.SPRING 160MM RINSE AID PUMP HOSE