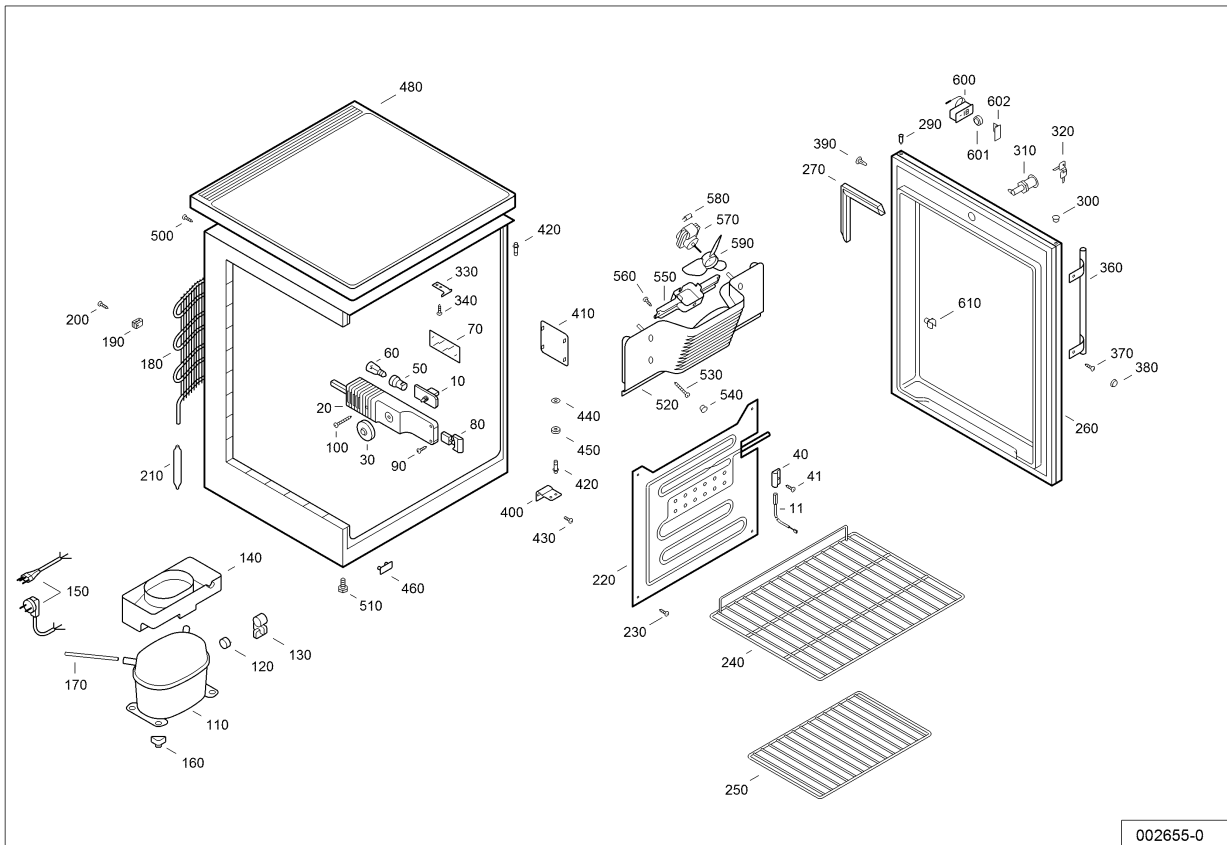


LIPARTS spare parts documentation

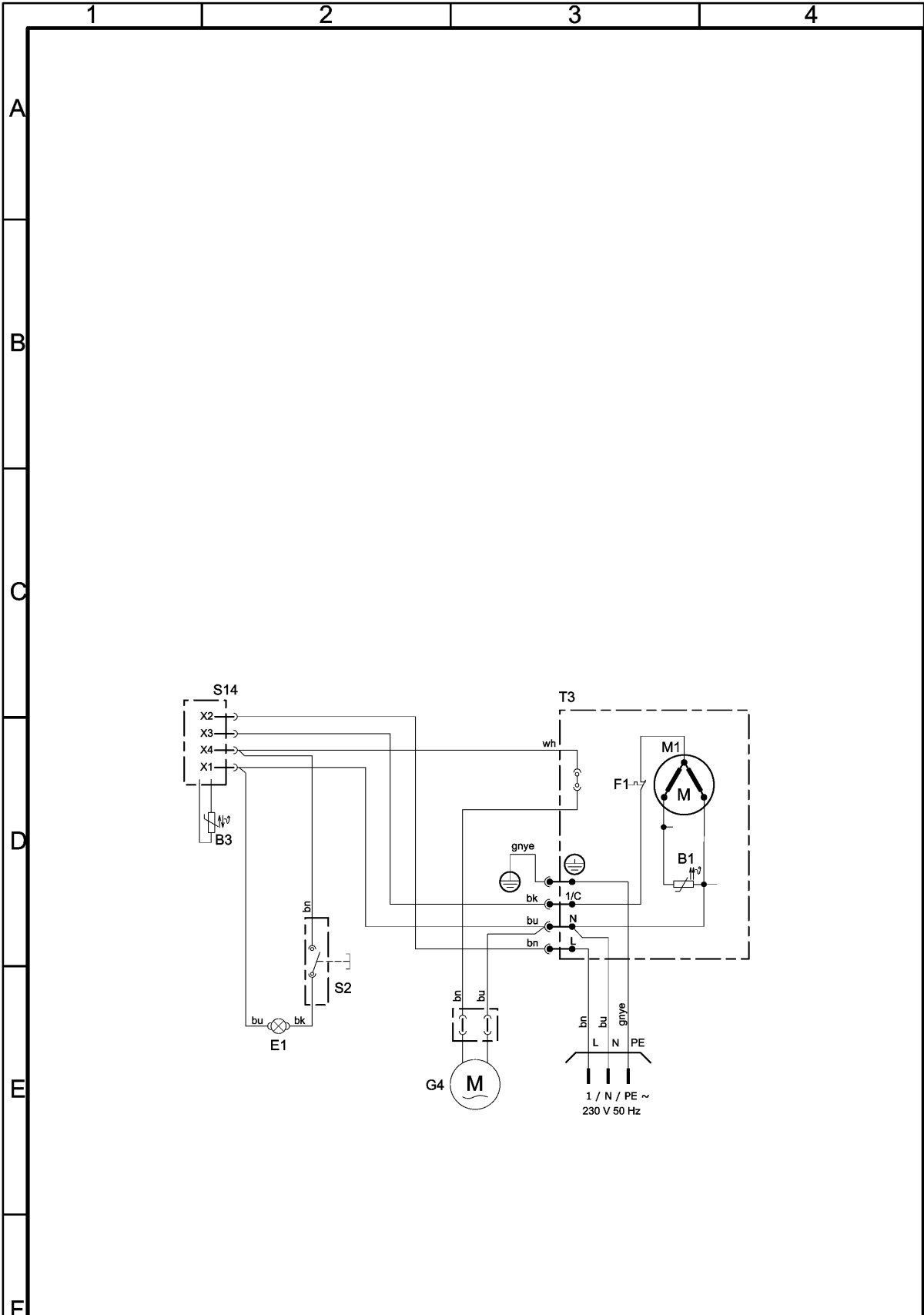
Issue date:	02022005
Model designation:	UKU 1850-21B
Design:	001
External desig.:	
Model series:	REFRIGERATOR-CIRC. AIR-COOLED-BUILT-UNDER
Service no.:	998308702
Production period:	10012005 - 08062008



002655-0

Item	Reference no.	Quantity	Description
10	6151765	1	THERMOSTAT
11	6942789	1	SENSOR LEAD, ASSY.
20	9801316	1	TEMPERATURE CONTROL HOUSING
30	7424515	1	CONTROL KNOB
40	7424525	1	SENSOR RETAINING FIXTURE
41	4098059	1	HEXAGON-HEAD SELF-TAPPING SCREW
50	6072030	1	LAMPHOLDER
60	6070001	1	INCANDESCENT BULB
70	7731150	1	SPECIAL ADHESIVE LABEL
80	6060062	1	SWITCH
90	4082915	2	COUNTERSUNK SELF-TAPPING SCREW
100	4082916	1	COUNTERSUNK SELF-TAPPING SCREW
110	6119717	1	COMPRESSOR R 600 a
120	6941014	1	SAFETY TEMPERATURE LIMITER
130	6940650	1	RELAY
140	7426428	1	EVAPORATOR TRAYS
150	6009909	1	SUPPLY LINE
160	7402888	4	SPECIAL SECURING HARDWARE
170	7700001	1	PIPE
180	5941902	1	CONDENSER WIRE TUBE, UPRIGHT
190	7402981	4	VARIOUS RETAINING FIXTURES
200	4082720	4	OVAL-HEAD SELF-TAPPING SCREW
210	5942034	1	DRYER
220	5940995	1	EVAPORATOR - FREEZING
230	4082808	4	OVAL-HEAD SELF-TAPPING SCREW
240	7112163	3	GRID SHELF
250	7112164	1	GRID SHELF
260	9012381	1	DOOR, CAVITY-FOAMED
270	7109089	1	MAGNETIC DOOR SEAL TO BOND
290	7422081	4	BUSHING
300	7422689	1	PLUG
310	7042356	1	LOCK, ASSY.
320	7042196	2	KEY
330	7042827	1	BRACKET
340	4082785	2	OVAL-HEAD SELF-TAPPING SCREW
360	7043799	1	MOULDED HANDLE
370	4098144	2	HEXAGON-HEAD SELF-TAPPING SCREW
390	7422687	2	PLUG
400	9450056	1	STEEL BEARING BLOCK
410	7422475	1	COVER PLATE
420	7113077	2	BOLT

430	4084005	2	OVAL-HEAD SCREW
440	7744009	2	WASHER
450	7402402	1	WASHER
460	7422819	1	COVER PLATE
480	7422469	1	COATED WORKTOP, ASSY.
500	4098005	2	HEXAGON-HEAD SELF-TAPPING SCREW
510	7042301	2	ADJUSTING SCREW
520	9000804	1	FAN COVER
530	4098997	2	OVAL-HEAD WOOD SCREW
540	7412233	2	PLUG
550	7422558	1	VARIOUS INJECTION-MOULDED ITEMS
560	4098033	2	HEXAGON-HEAD SELF-TAPPING SCREW
570	6118695	1	MOTOR
580	7203993	1	VARIOUS RETAINING FIXTURES
590	6299905	1	FAN BLADE
600	6111995	1	INSIDE THERMOMETER
601	6342997	1	BATTERY
602	7428223	1	COVERS, VARIOUS
610	7402857	1	SPECIAL SECURING HARDWARE
9899	-----	0	
9910	7080339	1	OPERATING INSTRUCTIONS
9911	7080467	1	
9920	9878499	1	PACKAGING, COMPLETELY
9930	8041937	1	FOLDING CARDBOARD BOX
9940	9910003	1	INTERCHANGEABLE FRAME SET
9950	9910535	1	INTERCHANGEABLE FRAME SET
9960	8409989	1	STAINLESS STEEL CLEANER CHROMOL



Verantwortliche Abt.: LE	Technische Referenz: LE	Dokumentenart: Schaltplan	Dokumentenstatus: freigegeben			
LIEBHERR	Erstellt durch: LE - KOR	Titel: UKU	9739445			
	Genehmigt von: LE - SIR		And. 00	Ausgabedatum: 2006-12-06	Spr. de	Blatt 1/2

Item	Colour	Legend text
		Housing earth (if required)
bk		black
bn		brown
bu		blue
gd		gold
gn		green
gnye		green/yellow
gy		grey
og		orange
pk		pink
rd		red
sr		silver
tq		turquoise
vt		lilac
wh		white
ye		yellow
B1		PTC/relay
B3		Evaporator sensor - refrigerator
E1		Interior light
F1		Clixon
G4		Fan - refrigerator compartment
M1		C-S-R motor
S14		
S2		Door switch
T3		Compressor