

*Spare parts - Gram Compact
F 400
(013 - 266)*

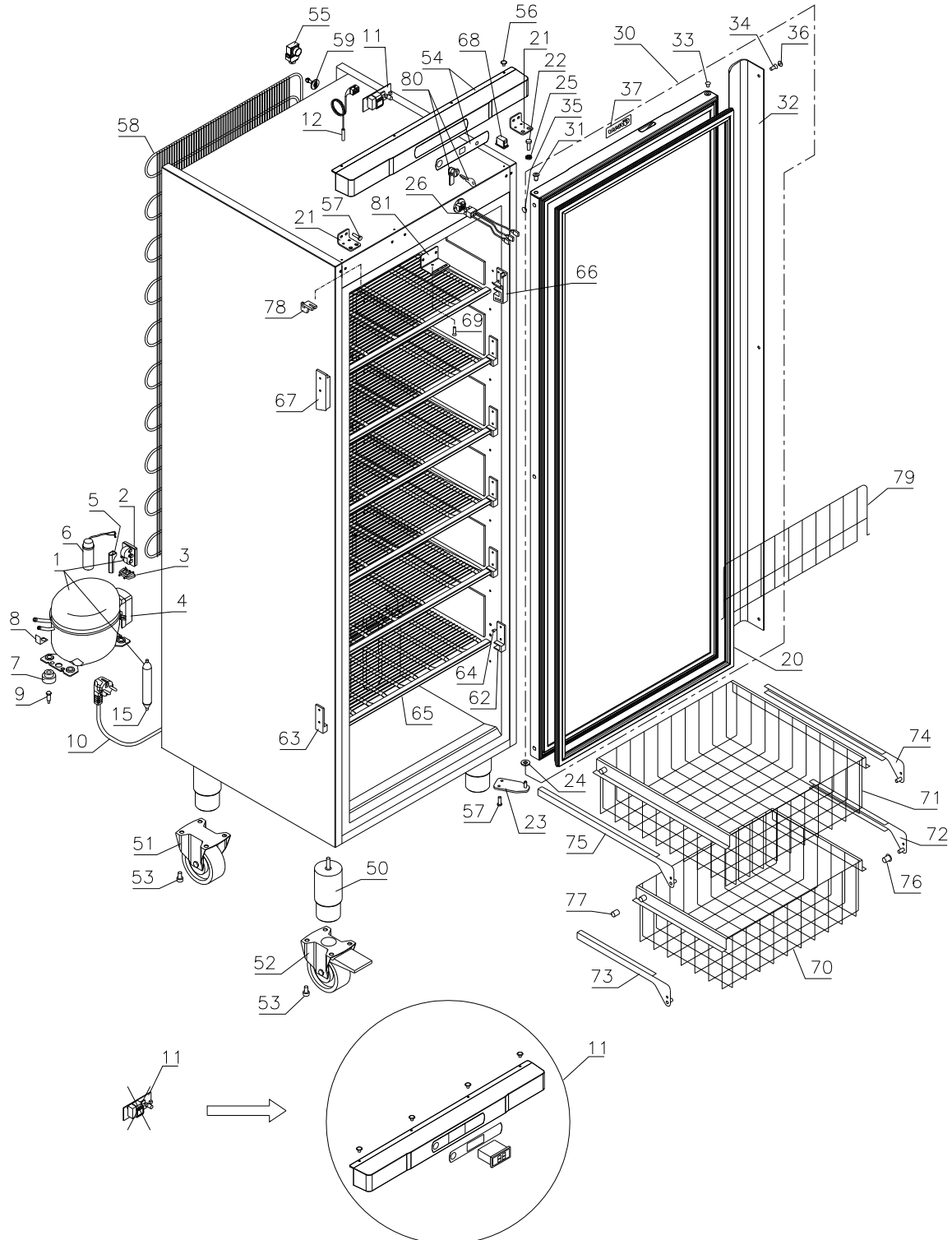


Description :

**Spare parts list for GRAM COMPACT
F 400**

Compiled.		Latest revision.			Deleted.	
Date	Name	Date	Name	Rev.no	Date	Name
16.01.03	JP	11.01.17	JP	016	30.06.06	JP

Exploded view



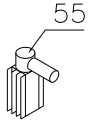
Description :

**Spare parts list for GRAM COMPACT
F 400**

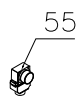
Compiled.		Latest revision.			Deleted.	
Date	Name	Date	Name	Rev.no	Date	Name
16.01.03	JP	11.01.17	JP	016	30.06.06	JP

Air relief valve

013-313



313-



<i>Gram Commercial</i> <i>Technical information</i>					76-504-0960	
<u>Description :</u>						
Spare parts list for GRAM COMPACT F 400						
Compiled.		Latest revision.			Deleted.	
Date	Name	Date	Name	Rev.no	Date	Name
16.01.03	JP	11.01.17	JP	016	30.06.06	JP

Item no.	Description	Gram part no.	week/year compiled	week/year deleted
----------	-------------	---------------	-----------------------	----------------------

1. Essential spare parts

1	Compressor NLY7F	500550036	0103	
2	PTC starting device	453051002	0103	
3	Cord relief	452440300	0103	
4	Cover	452440293	0103	
5	PTC cover	452440290	0103	
6	Run capacitor 4µF	760073377	0103	
7	Rubber bush	760080519	0103	
8	Clip for compressor fastening	760082367	0103	
9	Pin f. compressor	760082985	0103	
10	Lead and plug Schuko	765072510	0103	
10	Lead and plug GB	765072509	0103	
11	Electronic controller ETC 2 D	761220082 N/A*	0103	3916
*11	Controller incl. panel, grey	761222822	4016	
*11	Controller incl. panel, white	761222823	4016	
12	Temperature sensor	765072513	0103	
15	Filter drier	761220119	0103	
20	Door gasket	761220036	0103	
21	Hinge bracket, top	761220031	0103	
22	Hinge pin, top	761220107	0103	
23	Hinge, bottom	761220033	0103	
24	Washer	421701000	0103	
25	Counternut for hinge pin	421220005	0103	
26	Wiring set for controller	765072502	0103	

<i>Gram Commercial</i> <i>Technical information</i>					76-504-0960	
<u>Description :</u>						
Spare parts list for GRAM COMPACT F 400						
Compiled.		Latest revision.			Deleted.	
Date	Name	Date	Name	Rev.no	Date	Name
16.01.03	JP	11.01.17	JP	016	30.06.06	JP

Item no.	Description	Gram part no.	week/year compiled	week/year deleted
----------	-------------	---------------	-----------------------	----------------------

2. Other spare parts:

30	Door complete, stainless	761220925	0103	
30	Door complete, white	761220926	0103	
31	Nylon bush, grey	760080721	0103	
31	Nylon bush, white	765080510	0103	
32	Handle, stainless	761220084	0103	
32	Handle, white	761220123	0103	
33	Cover plug	grey	765080716	0103
33	Cover plug	white	765080717	0103
34	Screw for handle, white	420178204	0103	
34	Screw for handle, grey	420178203	0103	
35	Cover plug, white	765080504	0103	
35	Cover plug, grey	765080501	0103	
36	Cover plug f. screw	white	760082173	0103
36	Cover plug f. screw	grey	760082174	0103
37	Gram label	765040010	0103	
50	Leg, stainless H=135-200	765080115	0103	
51	Fixed wheel, H=125	480270520	0103	
52	Castor wheel, with brake	480260050	0103	
53	Screw for castors	420050100	0103	
54	Front panel w/label, grey	761220820	0103	
54	Front panel w/label, white	761220821	0103	
55	Air relief valve	760082788	0103	3103
55	Air relief valve	765081206	3103	
56	Plug for panel fastening	452210100	0103	
57	Screw for hinge	761220135	0103	
58	Condenser	761220264	0103	
59	Condenser holder	761220162	0103	
60	Label for front panel	761220029	0103	
62	Holder f. evaporator, right	white	765081222	0103
62	Holder f. evaporator, right	grey	765081224	0103
63	Holder f. evaporator, left	white	765081223	0103
63	Holder f. evaporator, left	grey	765081225	0103
64	Lock pin	white	765081232	0103
64	Lock pin	grey	765081233	0103
65	Rail for evaporator	761220067	0103	
66	Holder f. evaporator, upper right	760082071	0103	
67	Holder f. evaporator, upper left	760082072	0103	
68	Dummy plug	white	765081208	0103
68	Dummy plug	grey	765081209	0103
69	Screw for panel	761220217	0103	

<i>Gram Commercial</i> <i>Technical information</i>					76-504-0960	
<u>Description :</u>						
Spare parts list for GRAM COMPACT F 400						
Compiled.		Latest revision.			Deleted.	
Date	Name	Date	Name	Rev.no	Date	Name
16.01.03	JP	11.01.17	JP	016	30.06.06	JP

Item no.	Description	Gram part no.	week/year compiled	week/year deleted
70	Basket, small, white	761220220	0103	
70	Basket, small, grey	761220153	0103	
71	Basket, large, white	761220221	0103	
71	Basket, large, grey	761220154	0103	
72	Slide rail right L=301	white 761220223	0103	
72	Slide rail right L=301	grey 761220227	0103	
73	Slide rail left L=301	white 761220222	0103	
73	Slide rail left L=301	grey 761220226	0103	
74	Slide rail right L=425	white 761220225	0103	
74	Slide rail right L=425	grey 761220229	0103	
75	Slide rail left L=425	white 761220224	0103	
75	Slide rail left L=425	grey 761260228	0103	
76	Slide w/collar	L=14 mm 760081394	0103	
76	Slide w/collar	L=22 mm 761220207	2205	
77	Nylon slide	760081307	0103	
78	Holder for wire shelf	760082153	0103	
79	Tilt-out guard	white 761220212	0103	
79	Tilt-out guard	grey 761220216	0103	
80	Lock (w/key 810)	765080094	0103	
80	Lock (w/key 820)	765080120	0103	
80	Lock (w/key 830)	765080121	0103	
80	Lock (w/key 840)	765080122	0103	
81	Lock fitting	761220088	0103	
82	Key no. 810	761220166	0103	
82	Key no. 820	761220167	0103	
82	Key no. 830	761220168	0103	
82	Key no. 840	761220169	0103	