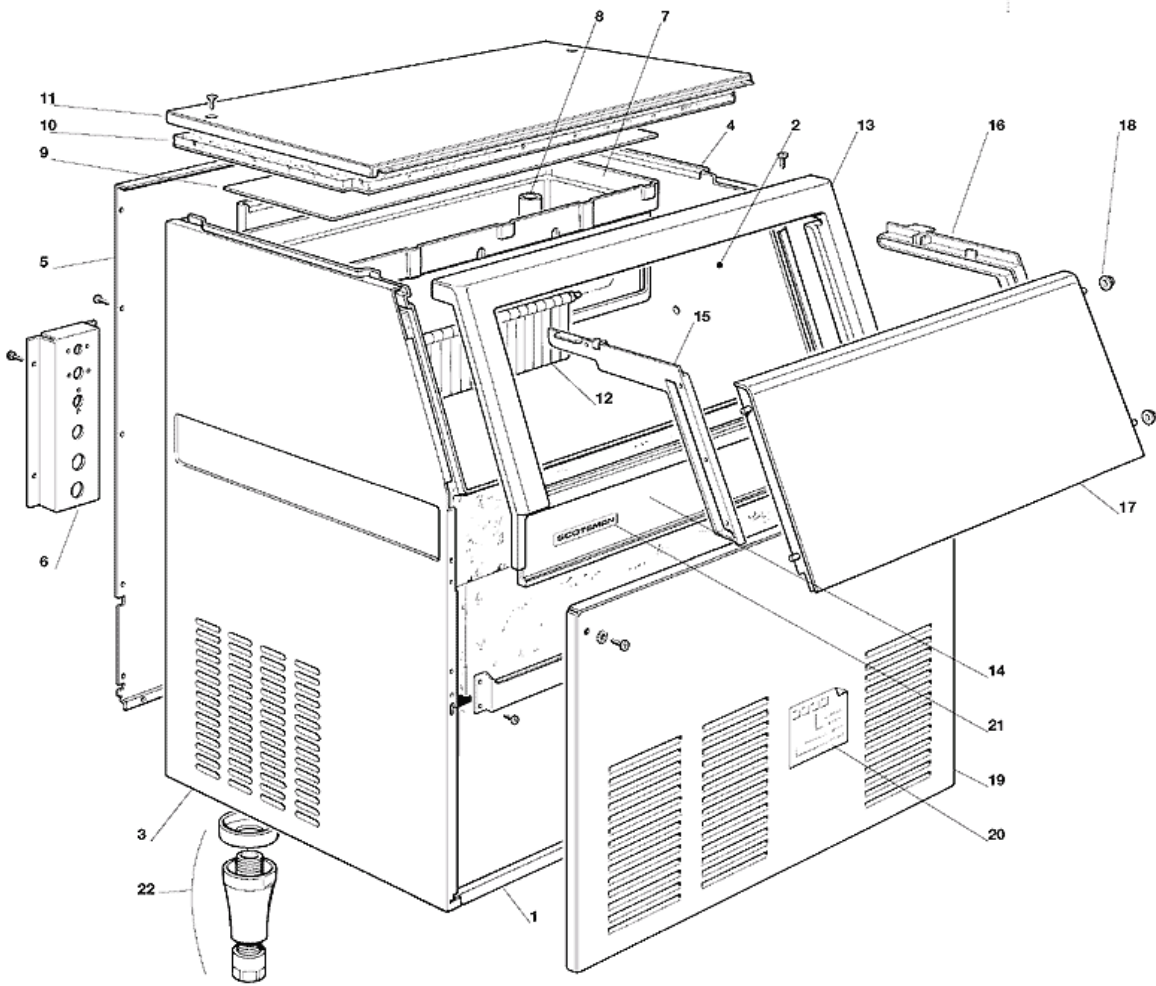
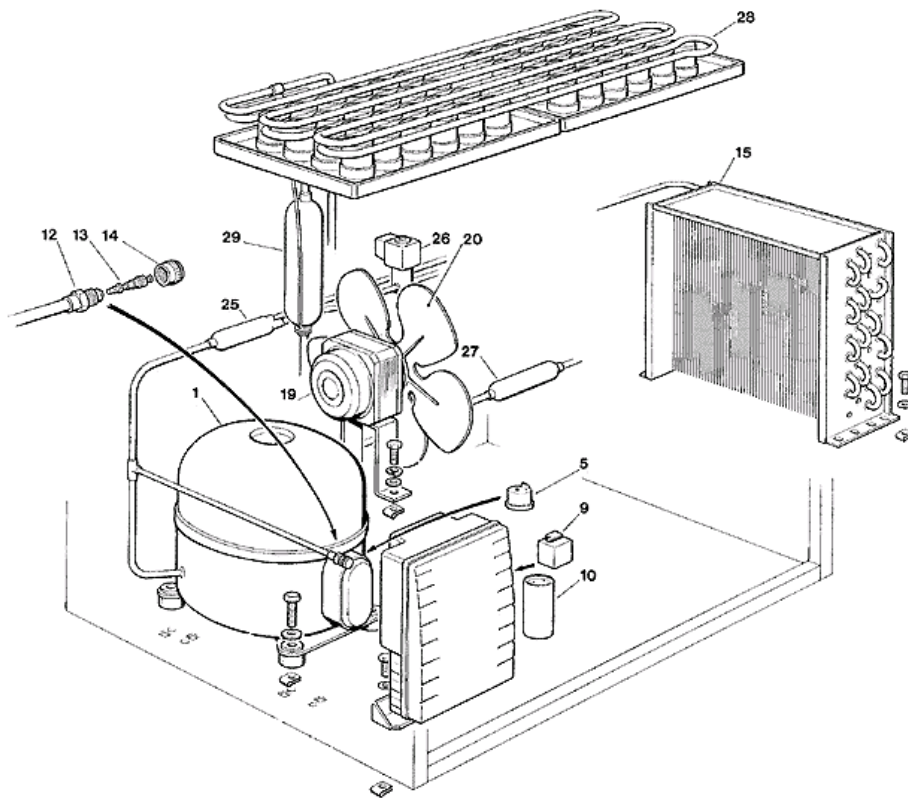


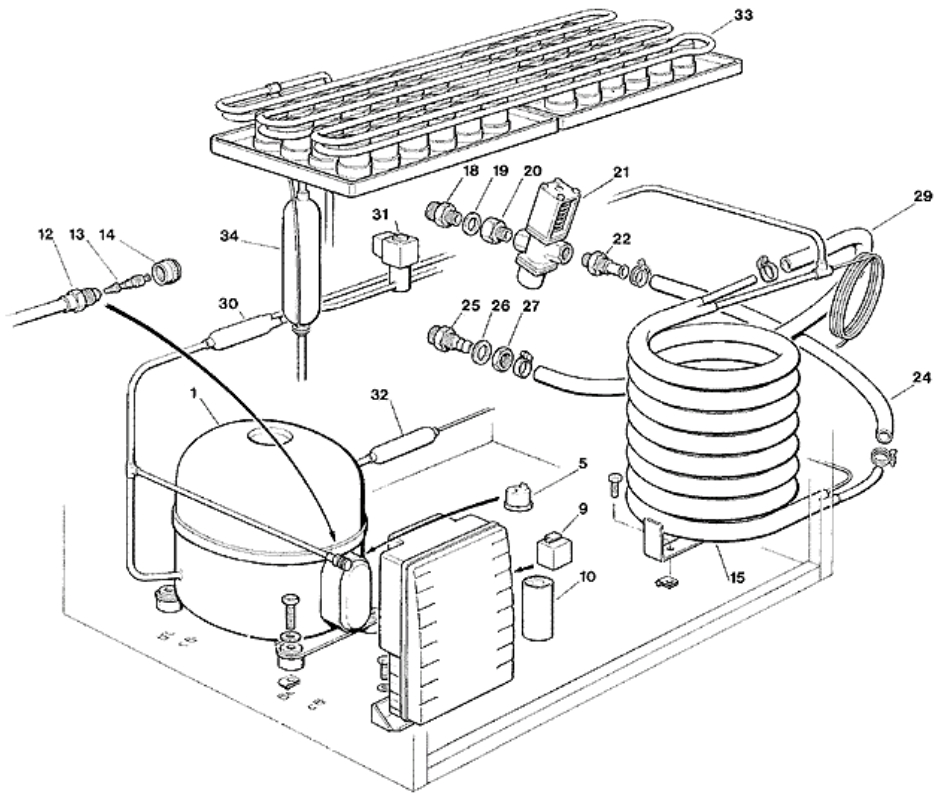
- 1 - UNIT PANELS
- 2 - REFRIGERANT SYSTEM AIR COOLED
- 3 - REFRIGERANT SYSTEM WATER COOLED
- 4 - WATER SYSTEM - L CUBES
- 5 - WATER SYSTEM - M CUBES
- 6 - WATER SYSTEM - S CUBES
- 7 - P.C. BOARD AND SENSOR ASSY (up to S.N. 6842)
- 8 - P.C. BOARD AND SENSOR ASSY (from S.N. 6843)



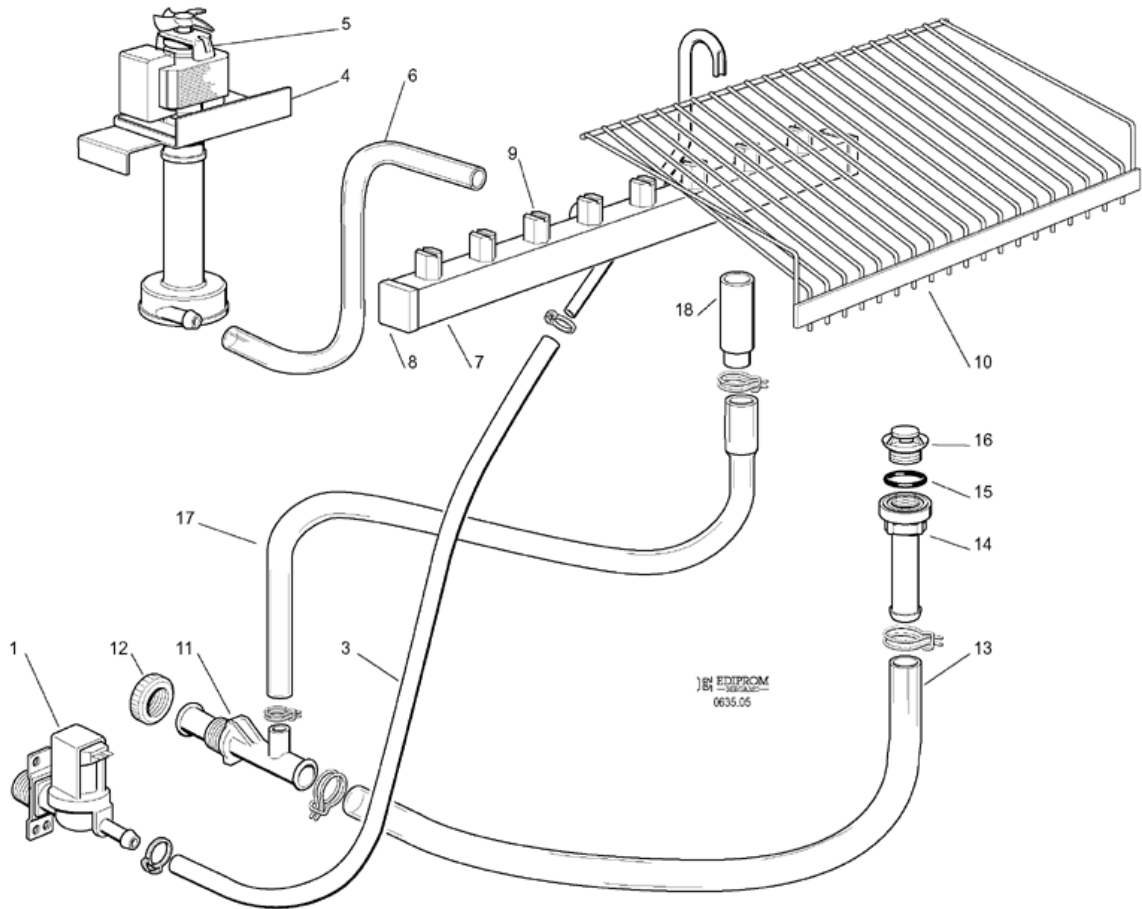
POSITION	CODE	DESCRIPTION
0001	781413 00	UNIT BASE
0002	782095 00R	INSULATED STORAGE BIN
0003	721658 02	LEFT SIDE PANEL
0004	721658 03	RIGHT SIDE PANEL
0005	702218 00	REAR PANEL
0006	702180 00	BRACKET
0007	660661 00R	EVAPORATOR HOUSING
0008	660698 02	OVERFLOW TUBE
0009	741075 01	COVER, EVAPORATOR
0010	794245 01R	INSULATION
0011	701798 02	TOP PANEL
0012	660338 00	RUBBER
0012	784457 03R	CURTAIN ASSY - ACL/M
0012	784457 05R	CURTAIN ASSY - ACS
0013	001027 02	BIN DOOR FRAME KIT
0013	782078 12R	BIN DOOR ASSY
0014	721669 05	S.S. FRONT PLATE
0015	660523 01	LEFT SIDE GUIDE
0016	660523 00	RIGHT SIDE GUIDE
0017	001027 02	BIN DOOR FRAME KIT
0017	792009 09R	BIN DOOR ASSY
0018	660286 00	BUSHING
0019	721659 01	FRONT PANEL
0020	650624 08	LABEL
0021	660614 00	SCOTSMAN LOGO
0022	650670 00	LEG KIT



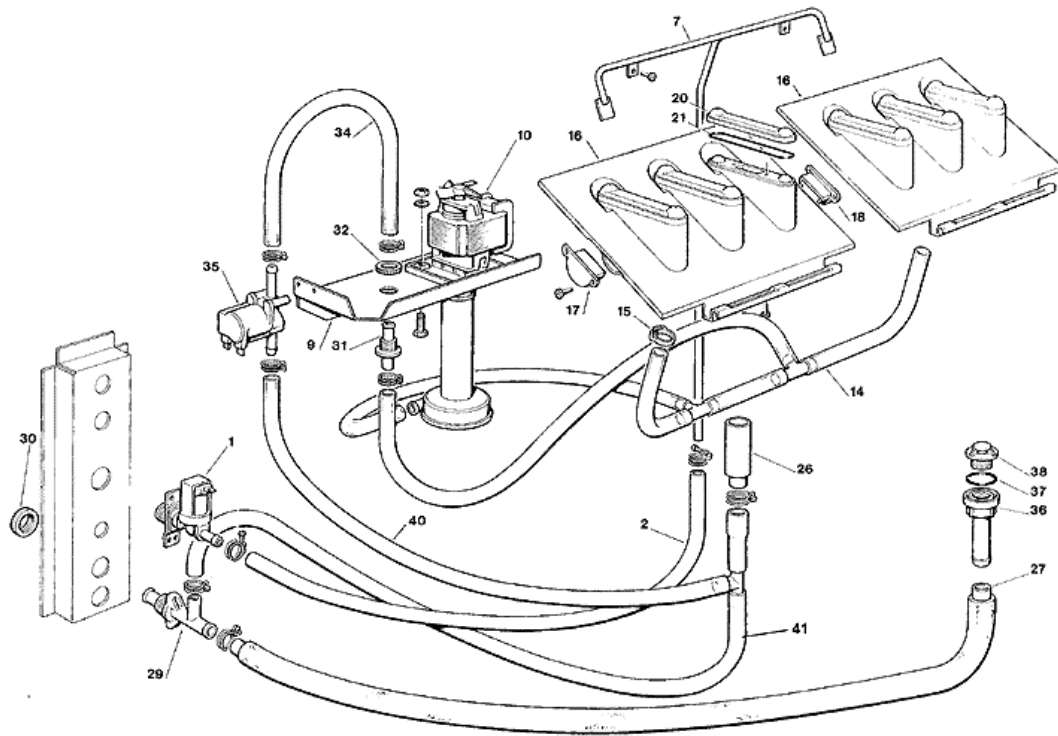
POSITION	CODE	DESCRIPTION
0001	670099 03	COMPRESSOR - 230/50/1
0001	670099 08	COMPRESSOR 230/60/1
0001	670099 12	COMPRESSOR - 115/60/1
0005	620058 42	PROTECTOR 230/50
0005	620058 79	PROTECTOR 230/60
0005	620058 84	PROTECTOR 115/60
0009	620057 45	RELAY - 230/50-60
0009	620057 53	RELAY - 115/60
0010	620167 00	START CAPACITOR 88-108MFD/330V
0010	620167 01	START CAPACITOR 64-77 MFD/330V
0010	620167 41	START CAPACITOR 115/60
0012	650109 00	VALVE BODY
0013	670012 00	VALVE CORE
0014	650106 00	CAP
0015	620440 00	CONDENSER A.C.
0019	620419 04	FAN MOTOR - 230/50-60
0019	620419 05	FAN MOTOR - 115/60
0020	620419 33	BLADE
0025	630020 01	STRAINER
0026	620306 17	COIL - 115/60
0026	620306 46	HOT GAS VALVE BODY
0026	620306 48	COIL - 230/50-60
0027	630003 06	FILTER
0028	784263 09	EVAPORATOR PLATE - LARGE
0028	784263 10	EVAPORATOR - MEDIUM
0028	784283 02	EVAPORATOR - SMALL
0029	784444 11	SUCTION LINE



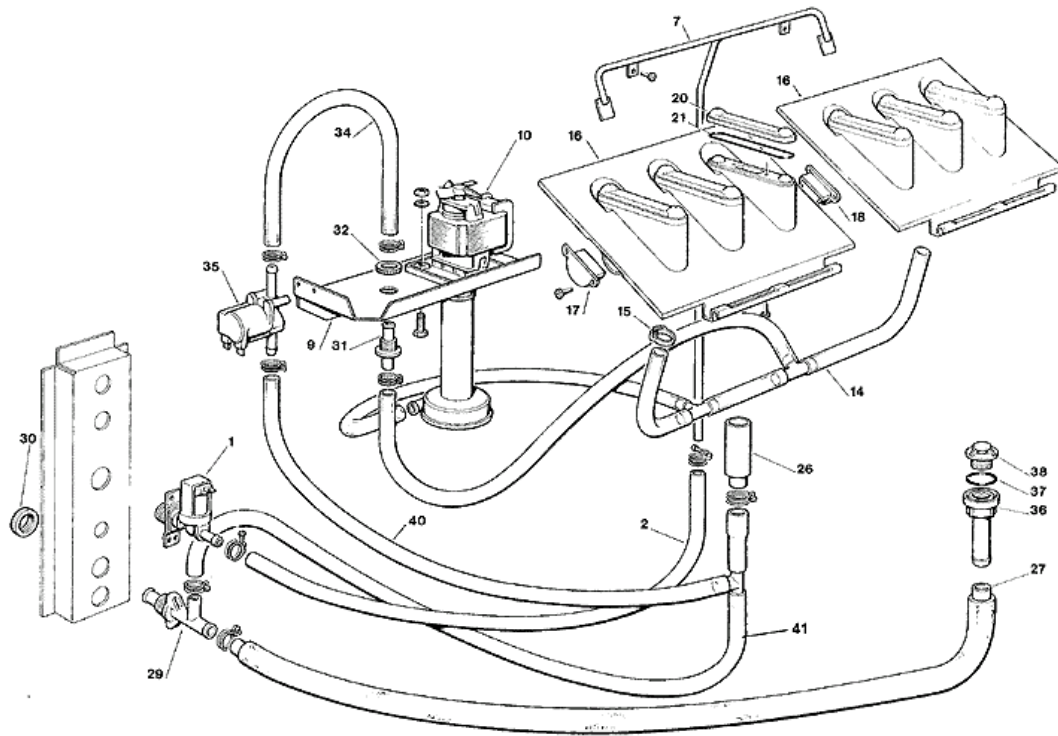
POSITION	CODE	DESCRIPTION
0001	670099 03	COMPRESSOR - 230/50/1
0001	670099 08	COMPRESSOR 230/60/1
0001	670099 12	COMPRESSOR - 115/60/1
0005	620058 42	PROTECTOR 230/50
0005	620058 79	PROTECTOR 230/60
0005	620058 84	PROTECTOR 115/60
0009	620057 45	RELAY - 230/50-60
0009	620057 53	RELAY - 115/60
0010	620167 00	START CAPACITOR 88-108MFD/330V
0010	620167 01	START CAPACITOR 64-77 MFD/330V
0010	620167 41	START CAPACITOR 115/60
0012	650109 00	VALVE BODY
0013	670012 00	VALVE CORE
0014	650106 00	CAP
0015	620495 02	CONDENSER
0018	400053 00	NUT
0019	400052 00	WASHER
0020	733204 00	WATER INLET FITTING
0021	620111 00	WATER REGUL. VALVE
0022	733094 03	WATER FITTING
0024	281900 01	TUBE 16X10
0025	660291 00	TEE TUBE (D13)
0026	400031 00	WASHER
0027	400030 01	NUT
0029	281900 01	TUBE 16X10
0030	630020 01	STRAINER
0031	620306 17	COIL - 115/60
0031	620306 46	HOT GAS VALVE BODY
0031	620306 48	COIL - 230/50-60
0032	630003 06	FILTER
0033	784263 09	EVAPORATOR PLATE - LARGE
0033	784263 10	EVAPORATOR - MEDIUM
0033	784283 02	EVAPORATOR - SMALL
0034	784444 11	SUCTION LINE



POSITION	CODE	DESCRIPTION
0001	650105 52	WATER IN. VALVE - 230/50-60 - AIR COOLED
0001	650105 55	WATER INLET VALVE - 115/60 - AIR COOLED
0003	281900 01	TUBE 16X10
0004	724357 00	PUMP MOTOR BRACKET
0005	620430 03	WATER PUMP 230/50
0005	620430 04	WATER PUMP 115/60
0005	620430 05	WATER PUMP 230/60
0006	610190 00	TUBE
0007	650665 21	SPRAY TUBE
0008	660557 00	SPRAY CUP
0009	660558 00	SPRAY NOZZLE
0010	650684 01	CHUTE
0013	610148 10	TUBE
0014	660219 01	BIN DRAIN
0015	640134 00	O RING 4093
0016	660211 01	DRAIN FILTER
0017	610195 00	TUBE
0018	660698 02	OVERFLOW TUBE

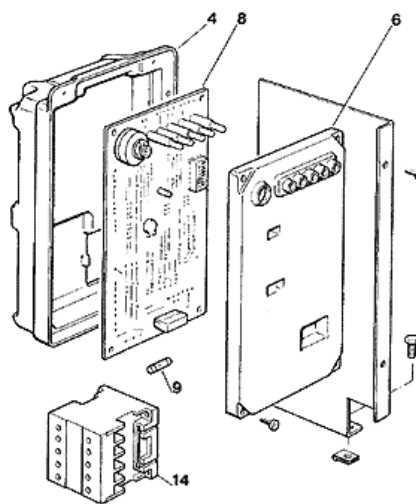
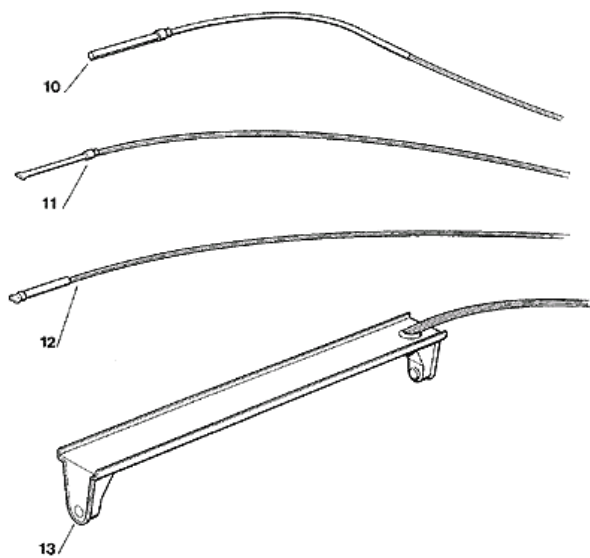


POSITION	CODE	DESCRIPTION
0001	650105 52	WATER IN. VALVE - 230/50-60 - AIR COOLED
0001	650105 55	WATER INLET VALVE - 115/60 - AIR COOLED
0002	281900 01	TUBE 16X10
0007	660537 00	WATER DISTRIBUTION TUBE
0009	724357 00	PUMP MOTOR BRACKET
0010	620430 03	WATER PUMP 230/50
0010	620430 04	WATER PUMP 115/60
0010	620430 05	WATER PUMP 230/60
0014	610190 00	TUBE
0014	610205 00	TUBE - SMALL CUBE - LEFT SPRAY PLATEN
0014	610205 01	TUBE - SMALL CUBE - RIGHT SPRAY PLATEN
0015	650499 01	CLAMP
0016	793129 01	SPRAY SYSTEM ASSY
0017	660520 03	LEFT PLUG
0018	660520 02	RIGHT PLUG
0020	660519 01	SPRAY COVER
0021	640041 20	O RING
0026	660698 02	OVERFLOW TUBE
0027	610148 10	TUBE
0029	660224 00	TEE TUBE
0030	660535 00	PLASTIC NUT
0031	660534 00	FITTING
0032	660535 00	PLASTIC NUT
0034	281830 06	WATER DRAIN TUBE - PER METER
0035	620460 00	WATER DRAIN VALVE
0036	660219 01	BIN DRAIN
0037	640134 00	O RING 4093
0038	660211 01	DRAIN FILTER
0040	610176 01	TUBE
0041	610195 00	TUBE



POSITION	CODE	DESCRIPTION
0001	650105 52	WATER IN. VALVE - 230/50-60 - AIR COOLED
0001	650105 55	WATER INLET VALVE - 115/60 - AIR COOLED
0002	281900 01	TUBE 16X10
0007	660537 00	WATER DISTRIBUTION TUBE
0009	724357 00	PUMP MOTOR BRACKET
0009	724390 00	PUMP MOTOR BRACKET - SMALL CUBES
0010	620430 06	WATER PUMP - 230/50
0014	610190 00	TUBE
0014	610205 00	TUBE - SMALL CUBE - LEFT SPRAY PLATEN
0014	610205 01	TUBE - SMALL CUBE - RIGHT SPRAY PLATEN
0015	650499 01	CLAMP
0016	793129 01	SPRAY SYSTEM ASSY
0017	660520 03	LEFT PLUG
0018	660520 02	RIGHT PLUG
0020	660519 01	SPRAY COVER
0021	640041 20	O RING
0026	660698 02	OVERFLOW TUBE
0027	610148 10	TUBE
0029	660224 00	TEE TUBE
0030	660535 00	PLASTIC NUT
0031	660534 00	FITTING
0032	660535 00	PLASTIC NUT
0034	281830 06	WATER DRAIN TUBE - PER METER
0035	620460 00	WATER DRAIN VALVE
0036	660219 01	BIN DRAIN
0037	640134 00	O RING 4093
0038	660211 01	DRAIN FILTER
0040	610176 01	TUBE
0041	610195 00	TUBE

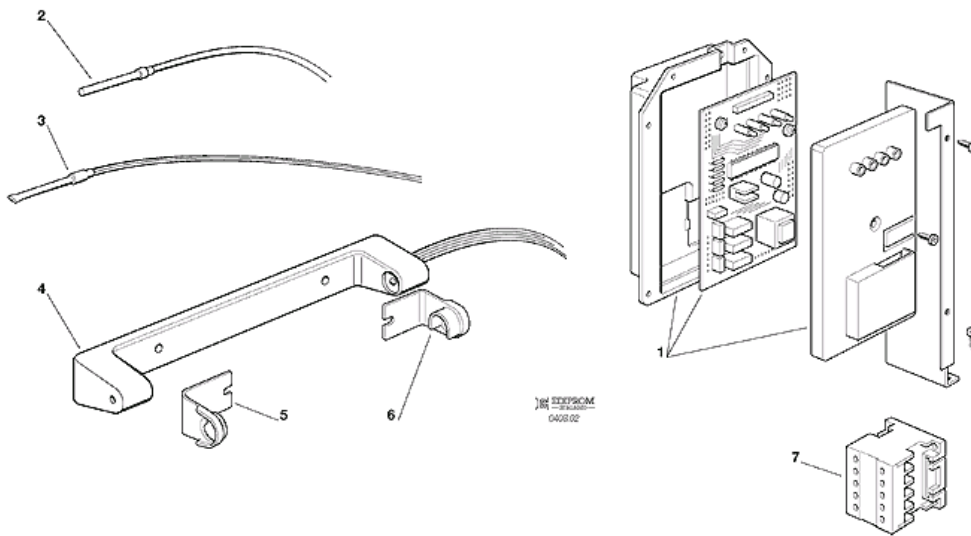
Scotsman® 7 - P.C. BOARD AND SENSOR ASSY (up to S.N. 6842)



Scotsman® 7 - P.C. BOARD AND SENSOR ASSY (up to S.N. 6842)

POSITION	CODE	DESCRIPTION
0004	CM 29070021	CONTROL BOX
0006	CM 29015057	CONTROL BOX COVER
0008	620462 00	PC BOARD ASSY - 230/50-60
0009	630015 09	FUSE 100MA 250V
0009	630015 10	FUSE 16A 250V
0010	620404 10	EVAPORATOR SENSOR
0011	620404 11	CONDENSER SENSOR
0012	620404 02	AMBIENT SENSOR
0013	650674 00	ICE LEVEL CONTROL
0014	630119 02	CONTACTOR - 230/50-60
0014	630124 07	CONTACTOR - 115/60

Scotsman® 8 - P.C. BOARD AND SENSOR ASSY (from S.N. 6843)



Scotsman 8 - P.C. BOARD AND SENSOR ASSY (from S.N. 6843)

POSITION	CODE	DESCRIPTION
0001	620462 00	PC BOARD ASSY - 230/50-60
0001	620462 01	P. C. BOARD ASSY - 115/60/1
0002	620404 10	EVAPORATOR SENSOR
0003	620404 11	CONDENSER SENSOR
0004	650674 00	ICE LEVEL CONTROL
0005	660720 00	PLASTIC COVER
0006	660720 01	PLASTIC COVER
0007	630119 02	CONTACTOR - 230/50-60
0007	630124 07	CONTACTOR - 115/60