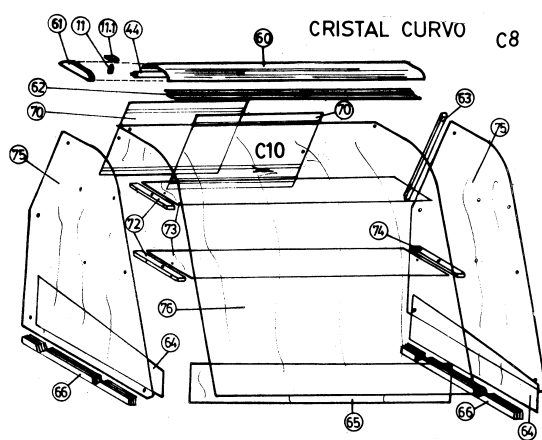
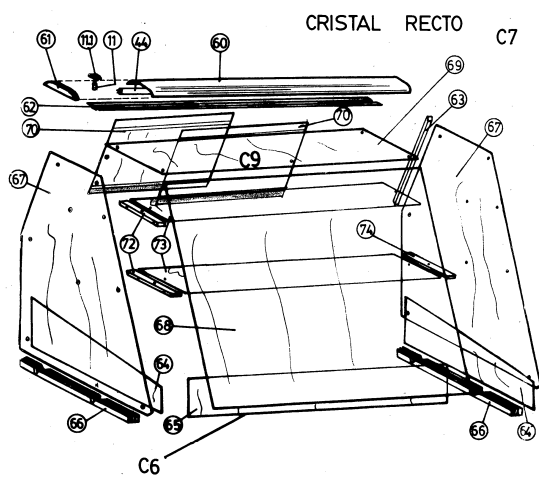


JUNO 1500			Jul-94	
N°P	ARTICULO	CODIGO	ITEM	N°P
31	EVAPORADOR 3X4(L=1200)	19420051	EVAPORATOR 3X4(L=1200)	31
4	COMPRESOR FF1,12BK(R12)	19410053	COMPRESSOR FF1,12BK(R12)	4
1	CONDENSADOR 8X4(R12)	19430068	CONDENSER 8X4(R12)	1
1	CONDENSADOR 8X4(R22)	19430069	CONDENSER 8X4(R22)	1
4	COMPRESOR L88TN(R22)	19410069	COMPRESSOR L88TN(R22)	4
C1	U.CONDEN. MARTE 1500R12	19900270	COND.UNIT MARTE 1500R12	C1
C1	U.CONDEN. MARTE 1500R22	19900271	COND.UNIT MARTE 1500R22	C1
C4	CONJ.VENTILADOR 5W/200 PATA NORMAL(R12)	19900320	FAN SET 5W/200 NORMAL LEG(R12)	C4
C4	CONJ.VENTILADOR 5W/200 PATA NORMAL(R22)	19900321	FAN SET 5W/200 NORMAL LEG(R22)	C4
2	PALAS VENTILADOR DE 200(R12)	19800406	FAN BLADES D200(R-12)	2
30	PIEDRA MARMOL MARTE 1500	19800423	MARBLE WORK TABLE MARTE 1500	30
2	PALAS VENTILADOR DE 250(R22)	19800414	FAN BLADES D250(R-22)	2
6	PATAS VENTILADOR NORMAL(R12)	19800407	NORMAL FAN LEGS(R12)	6
6	PATAS VENTILADOR NORMAL(R22)	19800413	NORMAL FAN LEGS (R22)	6
12	TERMOSTATO PHODIGY	19500420	PRODIGY THERMOSTAT	12
10	TEMPORIZADOR TEMPER	19500422	TEMPER THERMOSTAT	10
16	TERMOMETRO ELECTRONICO LAE-TR-11	19500424	ELECTRONIC THERMOMETER LAE TR-11	16
3	MOTOR VENTILADOR 5W (R12)	19500427	FAN MOTOR 5W(R12)	3
3	MOTOR VENTILADOR 5W (R22)	19500429	FAN MOTOR 5W(R22)	3
50	INTERRUPTOR GENERAL VERDE	19500436	MAIN SWITCH-GREEN	50
51	INTERRUPTOR GENERAL BLANCO	19500437	MAIN SWITCH-WHITE	51
44	TUBO FLUORESCENTE,LUZ DIA,36W	19500440	FLUORESCENT TUBE "DAY LIGHT" 36W	44
9	REACTANCIA 40W	19500450	FLUORESCENT REACTOR 40W	9
11	CEBADOR	19500453	STARTER	11
11.1	PORTACEBADOR	19500454	STARTER SOCKET	11.1
14	RESISTENCIA EVAPORACION AUTOMATICA 250W	19500470	AUTOMATIC WATER EVAPOR.RESISTANCE 250W	14
13	MICROINTERRUPTOR BOYA	19500474	FLOATER MICROSWITCH	13
-----	CIRCUITO IMPRESO BOYA ELECTRONICA	19500476	PRINTED CIRCUIT FOR ELECTRONIC FLOATER	-----
1/1	DESHIDRATADOR 20GRAMOS	19400475	DEHIDRATOR 20 G.	1/1
-----	BURLETE VITRINA MARTE	19300708	RUBBER STRIP MARTE DRAWER	-----
18	PATA BAJA METRICA 12	19200726	METRIC 12 LEG "SHORT" LEG	18
35	MANGUERA DESAGUE	19300775	DRAIN TUBE	35
45	PORTARROLLOS VITRINA	19200836	PAPER BAR HOLDER FOR DISPLAY CASES	45
45/1	EJE PORTARROLLOS	19800897	BAR FOR PAPER HOLDER	45/1
46	PORTA OBJETOS VITRINA	19200838	OBJECTS HOLDER FOR DISPLAY CASES	46
47	CUADRO MANDOS VITRINA	19200839	SWITCH BOARD FOR DISPLAY CASES	47
48	SERIGRAFIA CUADRO VITRINA	19800900	COVER PANEL FOR SWITCH BOARD	48
49	BASE ENCHUFE	19500871	SWITCH BOARD SOCKET	49
-----	ENCHUFE ALARGADERA	19500872	POWER CABLE	-----
28	CHAPA BANDEJA EXTRAIBLE MARTE	19100833	EXPOSITION DRAWER PLATE	28
27	ESTRUCTURA METALICA BANDEJA MARTE	19100834	EXPOSITION DRAWER FRAME	27
22	GUIAS BANDEJAS MARTE	19100835	EXPOSITION DRAWER GUIDES	22
26	TAPA PUERTA MARTE	19200846	EXPOSITION DRAWER DOOR	26
C5	CONJ.COMPLETO BANDEJA EXT.MARTE	19900917	EXPOSITION DRAWER COMPLETE SET	C5
29	PIEZA SUJECION EVAPORADOR	19100838	EVAPORATOR SUPPORT FOR DISPLAY CASES	29
24	APOYO COMPL.ESTANTE INF.MARTE 1500	19300859	LOWER SHELF SUPPORT FOR MARTE 1500	24
23	SUPLEMENTO IZDO.BANDEJA MARTE 1500	19100842	LEFT FINISHING EXPOSITION TRAY MARTE 1500	23
37	SUPLEMENTO DCHO.BANDEJA MARTE 1500	19100845	RIGHT FINISHING EXPOSITION TRAY MARTE 1500	37
38	SUPL. CENTRAL.BANDEJA MARTE 1500	19100848	MIDDLE FINISHING EXPOSITION TRAY MARTE 1500	38
25	TAPATUBOS IZDO.	19100851	LEFT TUBE COVER	25
36	TAPATUBOS DRCHO.	19100852	RIGHT TUBE COVER	36
32	REJILLA EVAPORADOR MARTE 1500	19100853	EVAPORATOR GRILLE MARTE 1500	32
33	BANDEJA EVAPORADOR MARTE 1500	19100856	EVAPORATOR TRAY MARTE 1500	33
34	BANDEJA EVAP.PLASTICO VITRINA	19200869	PLASTIC EVAP. TRAY FOR DISPLAY CASES	34
-----	PERFIL ROTULA ORO MARTE 1500	19300889	GOLDEN FRONT TILTING PROFILE MARTE 1500	-----
39	PERF. FRONTIS SUP. ORO MARTE 1500	19300901	GOLDEN UPPER FRONT PROFILE MARTE 1500	39
-----	PERF. SUP.ZOCALO ORO MARTE 1500	19300913	GOLDEN UPPER BASE PROFILE MARTE 1500	-----
43	PERF. ZOCALO ORO MARTE 1500	19300925	GOLDEN LOWER BASE PROFILE MARTE 1500	43
40	FRANJA DECORATIVA SUP. MARTE 1500	19801005	UPPER DECORATIVE FRONT PANEL MARTE 1500	40
42	DECORACION ZOCALO MARTE 1500	19801017	FRONT BASE DECORATIVE PANEL MARTE 1500	42
17	BASE DE TUBO MARTE 1500	19801043	BASE FRAME FOR MARTE 1500	17
19	LAT. DRCHO MARTE MARRON C/INTERIOR	19200994	BROWN INTERIOR SIDE FOR MARTE RIGHT LATERAL	19
19/1	LAT. DRCHO MARTE MARRON C/EXT.	19200995	BROWN EXTERIOR SIDE FOR MARTE RIGHT LATERAL	19/1
20/1	LAT. IZDO MARTE MARRON C/INTERIOR	19200996	BROWN INTERIOR SIDE FOR MARTE LEFT LATERAL	20/1
20	LAT. IZDO MARTE MARRON C/EXT.	19200997	BROWN EXTERIOR SIDE FOR MARTE LEFT LATERAL	20
C2	LATERAL COM. DRCHO MARRON MARTE	19901070	BROWN LATERAL RIGHT SET FOR MARTE	C2
C3	LATERAL COM. IZDO MARRON MARTE	19901073	BROWN LATERAL LEFT SET FOR MARTE	C3
-----	JUEGO TORNILLOS SUJECION LAT. VITRINA	19801064	SCREW SET FOR LATERAL HOLDING	-----
-----	CASQUILLO SUJ.LATERAL VITR.MARRON	19201006	BROWN FERRULE FOR LATERAL HOLDING	-----
-----	TAPA CASQUILLO LATERAL VITR.MARRON	19201008	BROWN FERRULE COVER FOR LATERAL HOLDING	-----
7.1	BANDEJA RECOJEAGUAS PLASTICO	19201009	PLASTIC DRAIN TRAY	7.1
8	CONJ. CUADRO REAC.MARTE 1500PAST.	19901098	REACTOR BOARD SET FOR MARTE 1500 PASTRY	8
41	PER. FRONTIS INF. ORO V.MARTE1500	19301122	GOLDEN FRONT INFERIOR PROFILE MARTE 1500	41

JUNO : 1500



(Continuación)

JUNO 1500			Jul-94	
NºP	ARTICULO	CODIGO	ITEM	NºP
44	TUBO FLUORESCENTE.LUZ NATURA.40W	19500446	FLUORESCENT TUBE "NATURA LIGHT" 40W	44
65	ANTIVAH0 FRONTIS MARTE 1500	19600504	FRONTAL ANTI-WETING GLASS MARTE 1500	65
64	ANTIVAH0 LATERAL VITRINA MARTE	19600511	LATERAL ANTI-WETING GLASS MARTE DISPLAY CASES	64
66	CONJUNTO ANTIVAH0 MARTE 1500	19600515	ANTI-WETING GLASS SET FOR MODULAR DISPLAY MARTE1500	66
68	CRIST.FRONTIS MARTE 1500 PAST. PLANO	19600519	FRONTAL GLASS MODULAR DISPLAY MARTE1500 FLAT PASTRY	68
76	CRIST.FRONTIS MARTE 1500 PAST. CURVO	19600525	FRONTAL GLASS MODULAR DISPLAY MARTE1500 CURVED PASTRY	76
67	CRIS.LATERAL MARTE PAST.CRISTAL PLANO	19600536	LATERAL GLASS FOR MARTE FLAT PASTRY	67
75	CRIS.LATERAL MARTE PAST.CRISTAL CURVO	19600537	LATERAL GLASS FOR MARTE CURVED PASTRY	75
73	ESTANTE INFERIOR MARTE 1500	19600542	LOWER GLASS SHELF FOR MODULAR DISPLAY MARTE1500	73
69	TECHO CRIS. MARTE1500 CRISTAL PLANO	19600546	TOP GLASS SHELF FOR MARTE 1500 FLAT	69
73	ESTANTE SUPERIOR MARTE 1500CRIS.PLANO	19600552	UPPER GLASS SHELF FOR MARTE1500 FLAT	73
C7	CONJUNTO CRISTAL PLANO MARTE 1500	19600618	FLAT GLASS SET FOR MARTE 1500	C7
C8	CONJUNTO CRISTAL CURVO MARTE 1500	19600619	CURVED GLASS SET FOR MARTE 1500	C8
60	PERF. PANTA. LUZ ORO MARTE 1500	19300937	GOLDEN LAMP BODY PROFILE MARTE 1500	60
.....	GUIA CRISTALES CORREDIZOS VITRINA 1500	19300940	GUIDE FOR SLIDING BACK GLASS DISP.CASES 1500
62	PROTECTOR PANTALLA LUZ VITRINA 1500	19300943	PROTECTOR FOR LIGHT TUBE DISPLAY CASES 1500	62
66	GUIA ANTIVAH0 MARTE	19300989	GUIDE FOR ANTI-WETING GLASS FOR MARTE	66
61	TAPA DRCHA ORO P. LUZ VITRINA C.PLANO	19201034	RIGHT GOLDEN LAMP CAP-STRAIGHT GLASS DISP.CASES	61
61	TAPA IZDA. ORO P. LUZ VITRINA C.PLANO	19201035	LEFT GOLDEN LAMP CAP-STRAIGHT GLASS DISP.CASES	61
61	TAPA DRCHA ORO P. LUZ VITRINA C.CURVO	19201036	RIGHT GOLDEN LAMP CAP-CURVED GLASS DISP.CASES	61
61	TAPA IZDA. ORO P. LUZ VITRINA C.CURVO	19201037	LEFT GOLDEN LAMP CAP-CURVED GLASS DISP.CASES	61
74	SOPORTE ESTANTE DRCHAS ORO	19201038	RIGHT GOLDEN SUPPORT FOR SHELVES	74
72	SOPORTE ESTANTE IZDAS ORO	19201039	LEFT GOLDEN SUPPORT FOR SHELVES	72
.....	SOPORTE ESTANTE INTER. ORO	19201040	MIDDLE GOLDEN SUPPORT FOR SHELVES
.....	PLETINA LATON ORO	19801101	GOLDEN COVER
.....	FIJACION CRISTAL FRONTIS PLANO	19201050	FRONTAL STRAIGH GLASS FIXATION
.....	TAPA SUP.SOPORTE CRIST. ORO	19201052	UPPER GLASS SUPPORT COVER GOLDEN
C9	CONJ. C. CORREDIZOS VITR 1500PAS. PLANO	19601095	SLIDING GLASS BACK DOORS SET 1500 STRAIGHT PASTRY	C9
C10	CONJ. C. CORREDIZOS VITR. 1500PAS. CURVO	19601096	SLIDING GLASS BACK DOORS SET 1500 CURVED PASTRY	C10
70	CRISTAL CORREDIZO VIT. 1500 PLANO PAST.	19601111	SLIDING GLASS BACK DOORS 1500 STRAIGHT PASTRY	70
70	CRISTAL CORREDIZO VIT. 1500 CURVO PAST.	19601114	SLIDING GLASS BACK DOORS 1500 CURVED PASTRY	70
.....	TUBO AL.INTERIOR P.LUZ 6X8	19301087	ALUMINIUM LAMP TUBE 6X8
.....	TUBO AL.INTERIOR P.LUZ 8X10	19301088	SLIDING GLASS BACK DOORS 1500 CURVED LOW
63	TUBO AL 16X16 PORTACABLES ORO.	19301091	SLIDING GLASS BACK DOORS 2000 STRAIGHT LOW	63
.....	TUBO 10X12 PORTACABLES ORO(IV.PAST)	19301092	SLIDING GLASS BACK DOORS 2000 CURVED LOW
.....	TUBO 20X100RO SOPORTE CRIS.FRONTIS	19301094	SLIDING GLASS BACK DOORS 2000 CURVED PASTRY
.....	CAJA + TORNILLOS ORO VIT.PAST..PLANO	19801151	BOX + GOLDEN SCREWS FOR DIS.CASES STRAIGHT PASTRY
.....	CAJA + TORNILLOS ORO VIT.PAST..CURVO	19801152	BOX + GOLDEN SCREWS FOR DIS.CASES CURVED PASTRY